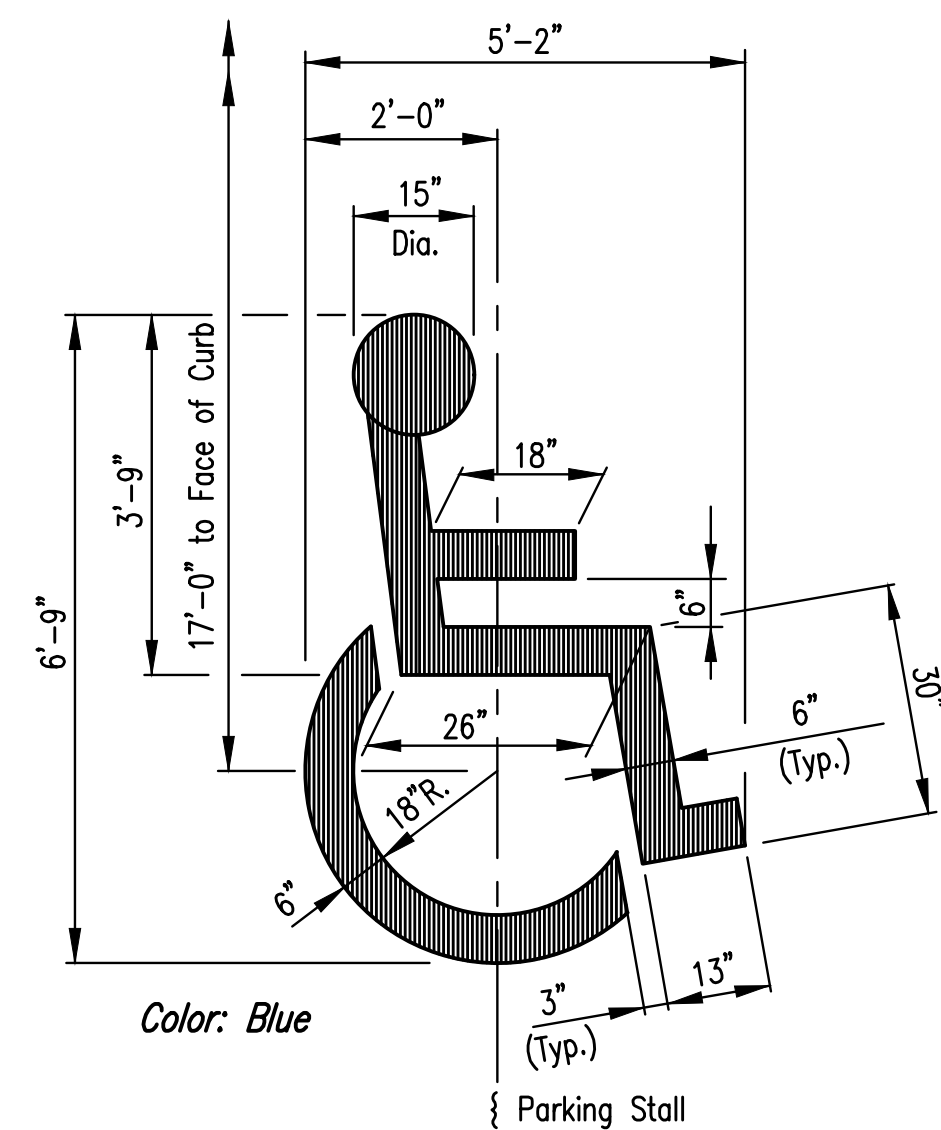
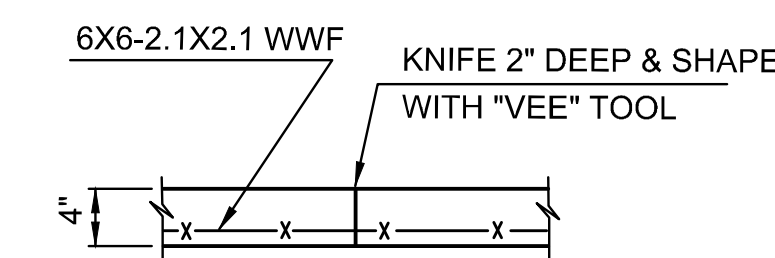
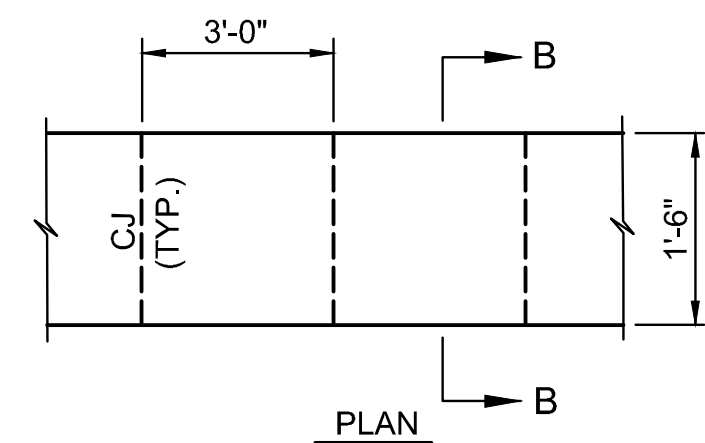
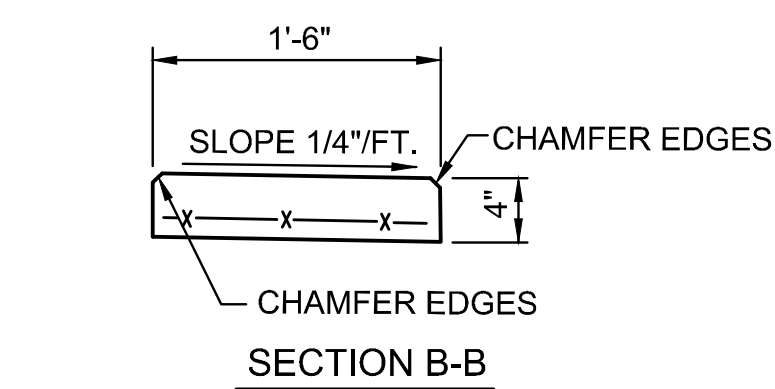


D = THICKNESS OF ADJACENT PAVMENT

1 COMBINED CURB AND GUTTER
NOT TO SCALE

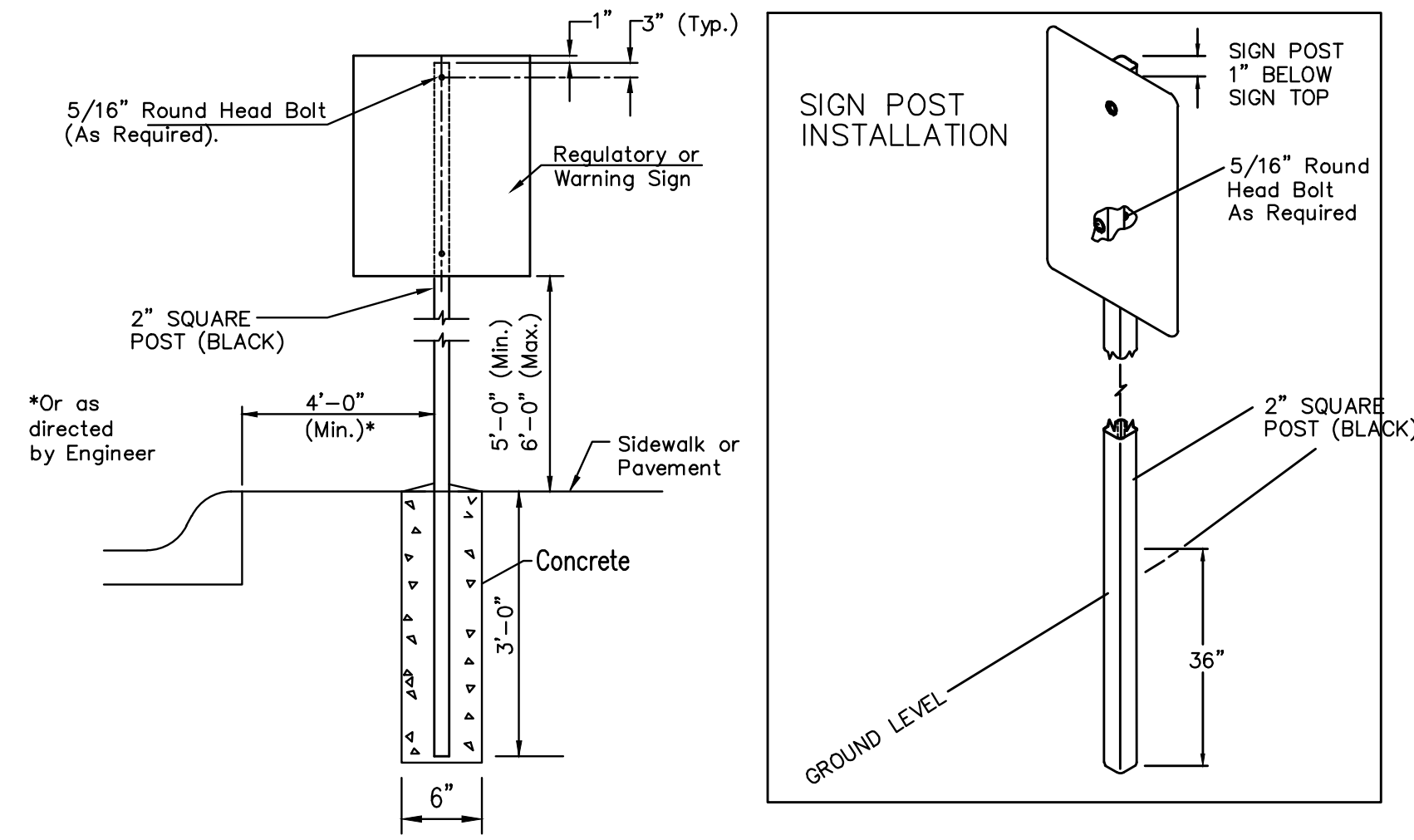


2 SYMBOL OF ACCESSIBILITY
NOT TO SCALE

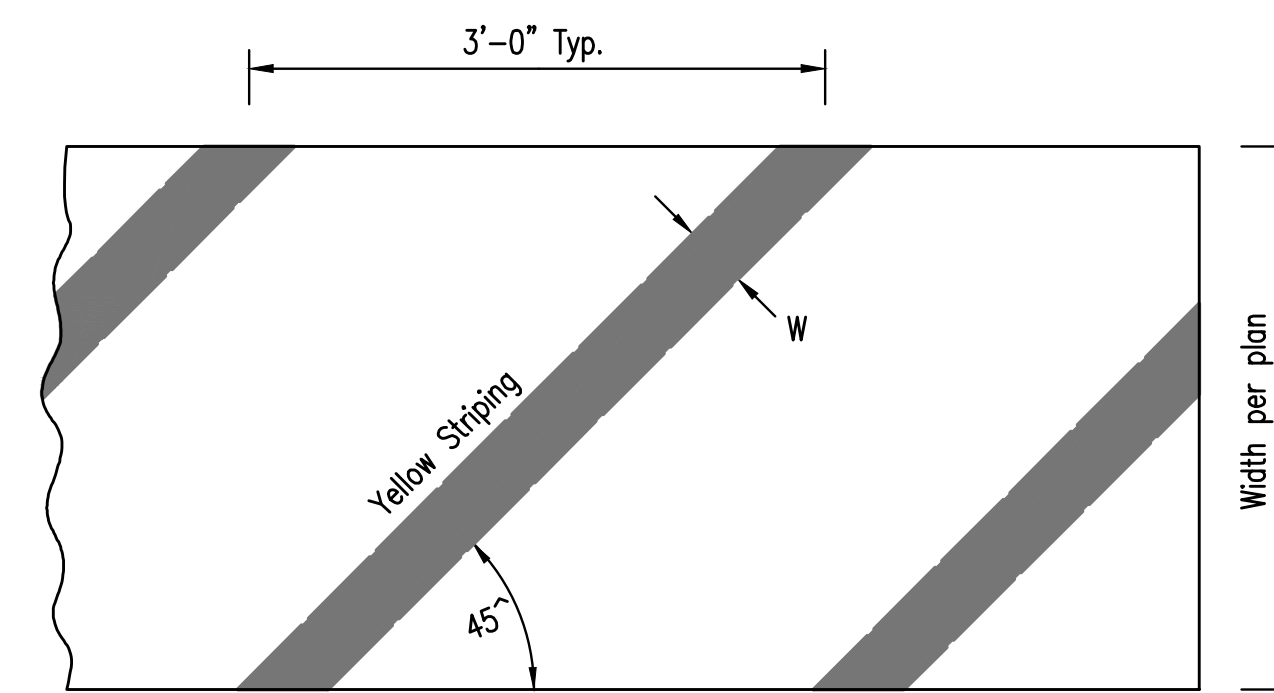


CONTRACTION JOINT (CJ)
NOTE: NO SAWN CONTRACTION JOINTS WILL BE ALLOWED

3 MOW STRIP
NOT TO SCALE

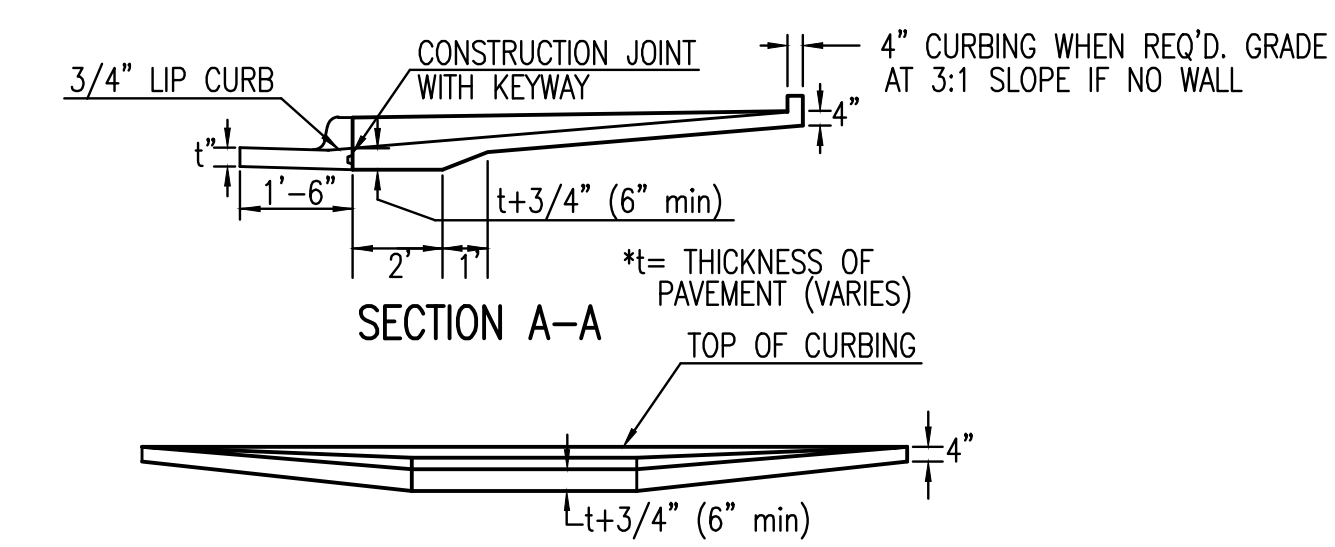
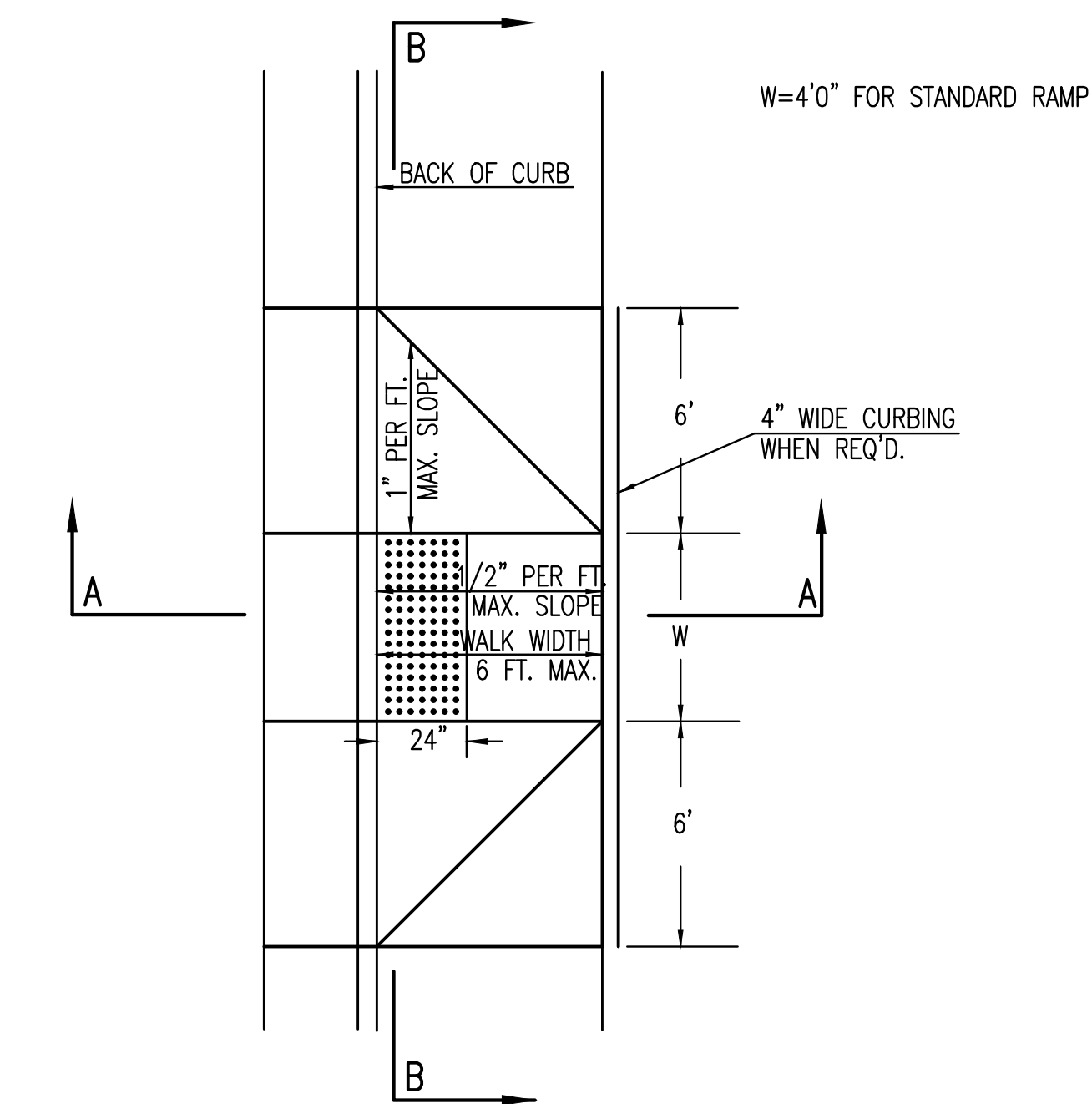


4 ADA SIGN MOUNTING INSTALLATION
NOT TO SCALE



W = 4", Parking Areas
NOTE: PARKING STALL STRIPING ON NEW CONCRETE TO BE 4" WIDE YELLOW STRIPE.

5 PAINT STRIPE AND STRIPING CROSS HATCH DETAIL
NOT TO SCALE



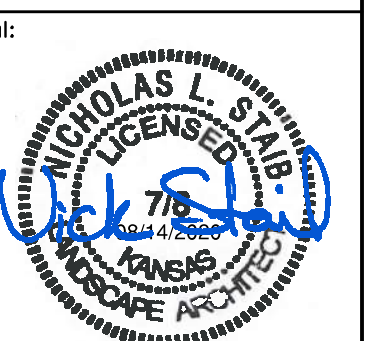
SECTION B-B

6 ADA RAMP
NOT TO SCALE

SITE DETAILS



WICHITA, KANSAS
City of
WICHITA
Pool Improvements
MINISA PARK



Nick Staub - Landscape Architect
LICENSE #0718

Date: 08-14-20 Job #: 18-512

Drawn: RFT Checked: NLS

Issue: FOR BID

**SITE
DETAILS**

SA-06