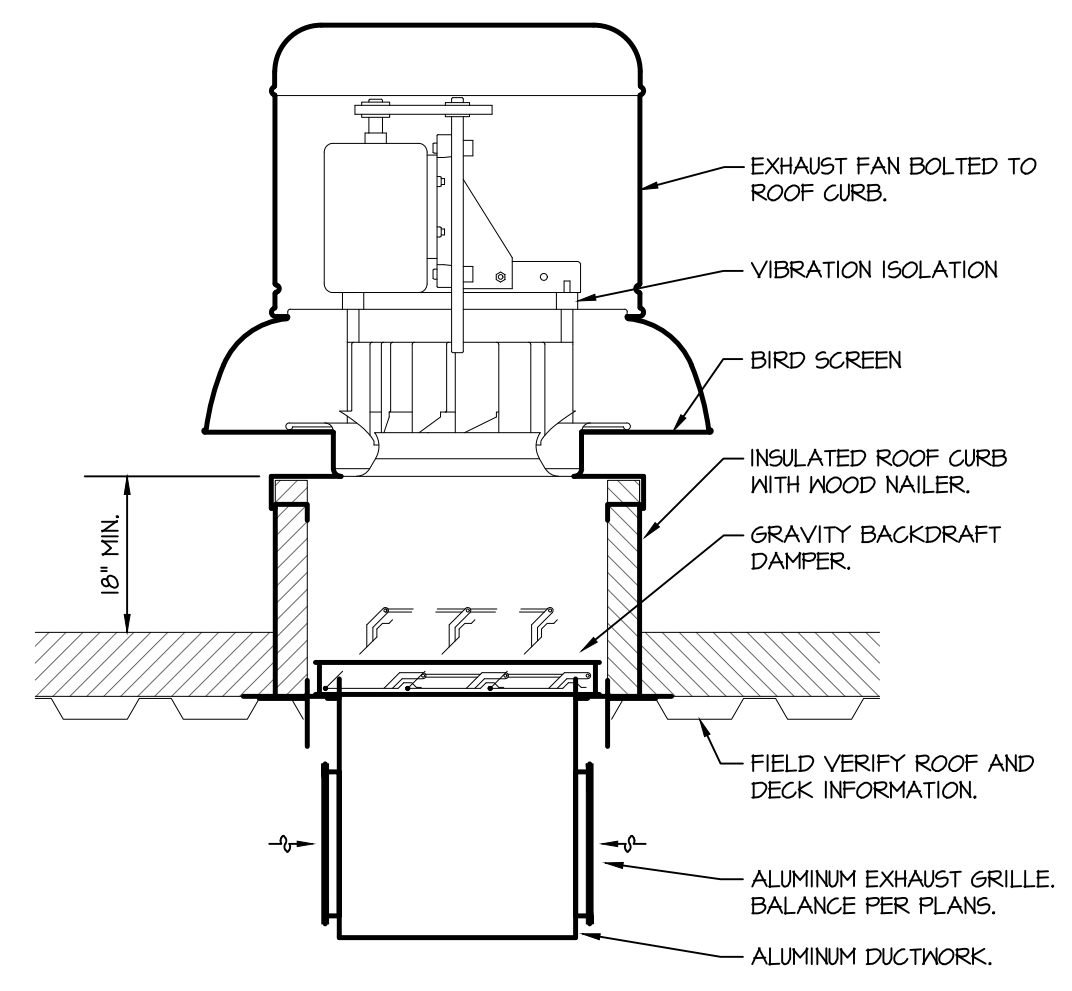
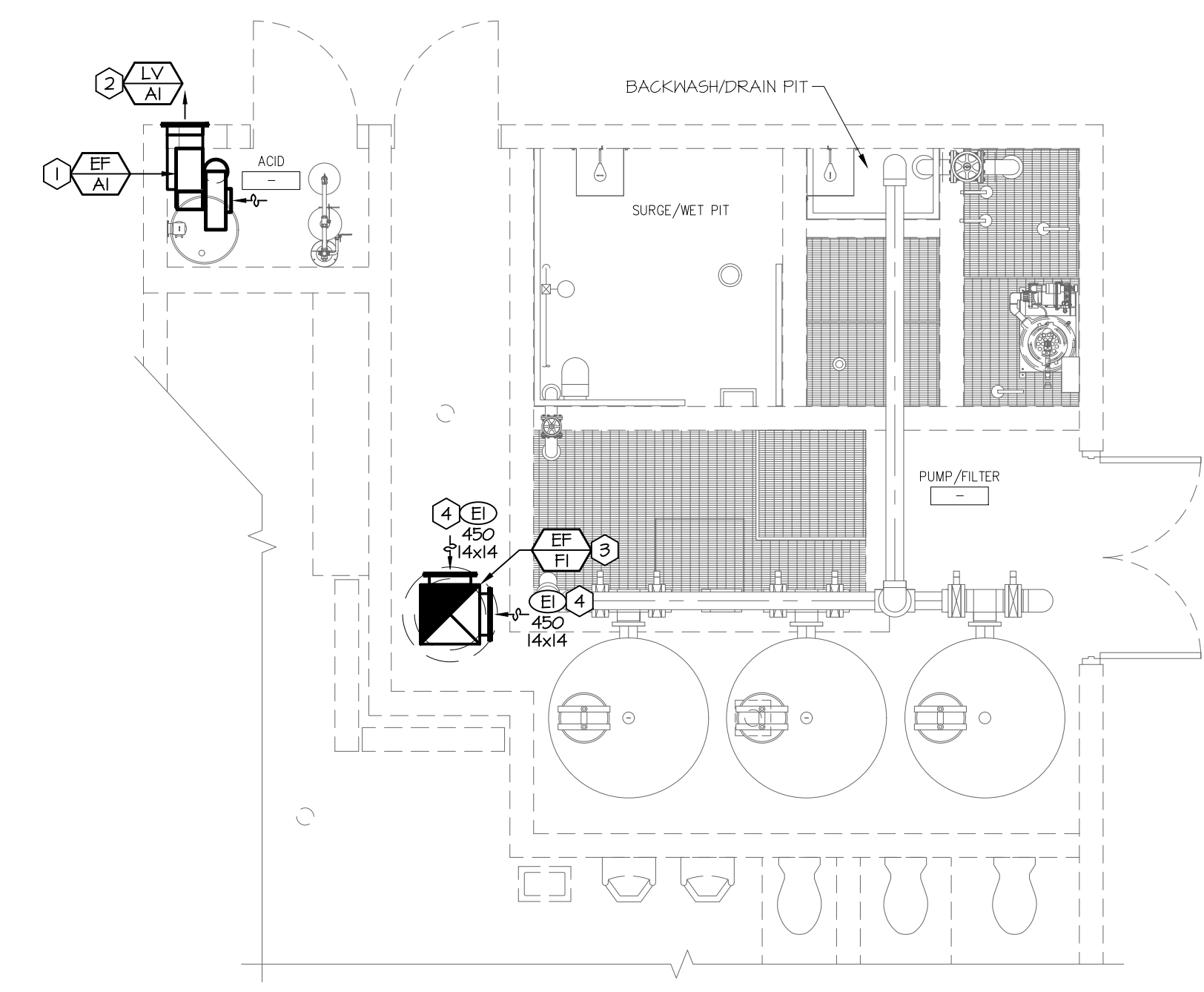


**3** Chemical Exhaust Fan Detail  
Scale: Not to Scale



- NOTES:**
1. DUCT SIZES SHALL BE AS INDICATED ON THE PLANS.
  2. PROVIDE ROOF CURB OF SUFFICIENT HEIGHT TO PROVIDE A MINIMUM 18" CLEARANCE FROM THE TOP OF THE CURB TO THE FINISHED ROOF.
  3. BOTTOM OF ROOF CURB SHALL MATCH THE SLOPE OF THE ROOF SO THAT THE TOP OF ROOF CURB IS LEVEL. ATTACH FAN TO CURB PER MANUFACTURER'S RECOMMENDATIONS.
  4. PROVIDE ROOFING AND FLASHING PER ARCHITECTURAL AND ROOF MANUFACTURER'S REQUIREMENTS. CURB INSTALLATION SHALL NOT VOID ROOF WARRANTY. COORDINATE ROOF WARRANTY WITH OWNER.

**2** Filter Exhaust Fan Detail  
Scale: Not to Scale



**1** Mechanical Plan  
Scale: 1/4" = 1'-0"

- GENERAL NOTES:**
- A. THESE DRAWINGS ARE DIAGRAMMATIC AND INDICATE THE GENERAL EXTENT OF THE WORK. PROVIDE SHEET METAL SYSTEMS COMPLETE AND PER APPLICABLE CODES INCLUDING ALL NECESSARY OFFSETS, FITTINGS AND SPECIAL RADIUS OR MITRED ELBOWS WHICH ARE REQUIRED DUE TO SPACE CONSTRAINTS OR OTHER CONDITIONS.
  - B. COORDINATE THE INSTALLATION OF THE DUCTWORK AND EQUIPMENT WITH THE WORK OF ALL OTHER TRADES. VERIFY ALL CLEARANCES PRIOR TO THE FABRICATION OF ANY SYSTEM COMPONENTS.
  - C. DUCTWORK SHALL NOT BE LOCATED OVER ELECTRICAL EQUIPMENT OR PANELS. PROVIDE THE CODE REQUIRED WORKING CLEARANCE AROUND ALL ELECTRICAL EQUIPMENT AND PANELS.
  - D. PROVIDE ALL MISCELLANEOUS SUPPORTING STEEL, ETC. FOR THE PROPER INSTALLATION OF ALL MECHANICAL SYSTEMS.
  - E. COORDINATE FLOOR, WALL, ROOF PENETRATIONS, LOUVER SIZES, PAD LOCATIONS, ETC. WITH THE ARCHITECTURAL TRADES.
  - F. REFER TO ARCHITECTURAL REFLECTED CEILING PLANS AND WALL ELEVATIONS FOR EXACT LOCATION OF GRILLES, REGISTERS, AND DIFFUSERS.
  - G. ALL DUCTWORK DIMENSIONS INDICATE THE INSIDE CLEAR DIMENSION.

- PLAN NOTES:**
1. PROVIDE CENTRIFUGAL FAN AS SCHEDULED MOUNTED HIGH IN CHEMICAL ROOM. PROVIDE 10" PVC PIPE DOWN TO DUCT PLENUM. JOG DUCTWORK AS REQUIRED TO MAKE CONNECTION TO DUCT PLENUM. DISCHARGE DUCTWORK SHALL HAVE FLEXIBLE CONNECTION. COORDINATE EXACT LOCATION WITH ARCHITECTURAL ELEVATIONS.
  2. PROVIDE LOUVER AS SCHEDULED TO REPLACE EXISTING LOUVER. REFER TO ARCHITECTURAL PLANS FOR SPECIFIC LOUVER LOCATION. CONTRACTOR SHALL FIELD VERIFY DIMENSIONS OF EXISTING LOUVER PRIOR TO ORDERING.
  3. PROVIDE ROOF-MOUNTED FAN AS SCHEDULED. EXTEND ALUMINUM DUCTWORK DOWN APPROXIMATELY 1'-6" INTO THE SPACE.
  4. PROVIDE ALUMINUM EXHAUST GRILLE AS SCHEDULED APPROXIMATELY 0'-2" ABOVE THE BOTTOM OF THE EXHAUST DUCT.

EXHAUST FAN SCHEDULE										
MARK	MANUFACTURER	MODEL	CFM	S.P.	DRIVE	RPM	WATTS	HP	V/PH	NOTES
EF-AI	FANAM	CBI-200	400	1	DIRECT	1125	-	1/4	120/1	1,3,4
EF-FI	LOREN COOK	120C15D	400	0.15	DIRECT	1550	132	1/2	120/1	2,3

**NOTES:**

1. FAN HOUSING AND WHEEL SHALL BE CONSTRUCTED OF POLYPROPYLENE.
2. PROVIDE FAN WITH MANUFACTURER'S FAN SPEED CONTROLLER.
3. PROVIDE FAN WITH MANUFACTURER'S DISCONNECT SWITCH.
4. PROVIDE FAN WITH MANUFACTURER'S FLEXIBLE CONNECTION, PART F06-66.

LOUVER SCHEDULE								
MARK	MANUFACTURER	MODEL	SERVICE	SIZE W x H (IN.)	AIRFLOW CFM	MIN. FREE AREA (S.F.)	MAX. PD INCHES WC	NOTES
LV-AI	RUSKIN	SFG40	EXHAUST	12x12	400	0.43	0.08	1

**PLAN NOTES:**

1. PROVIDE FIBERGLASS LOUVER WITH FIBERGLASS INSECT SCREEN.

**GENERAL NOTES:**

- A. PROVIDE MOUNTING FRAME TO MATCH CONSTRUCTION.
- B. CUSTOM COLOR TO BE SELECTED BY ARCHITECT DURING THE SUBMITTAL PROCESS.
- C. PROVIDE ALL FASTENERS, HANGERS, AND ASSOCIATED DEVICES REQUIRED FOR COMPLETE INSTALLATION.

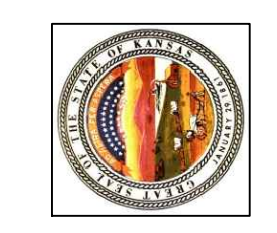
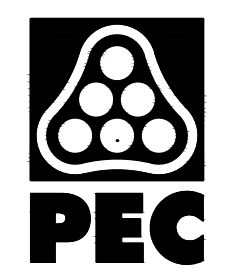
GRILLE, REGISTER, & DIFFUSER SCHEDULE							
MARK	MANUFACTURER	MODEL	SERVICE	FACE SIZE	NECK SIZE	DAMPER	NOTES
EI	TITUS	2F	EXHAUST	AS NOTED	AS NOTED	YES	1

**NOTES:**

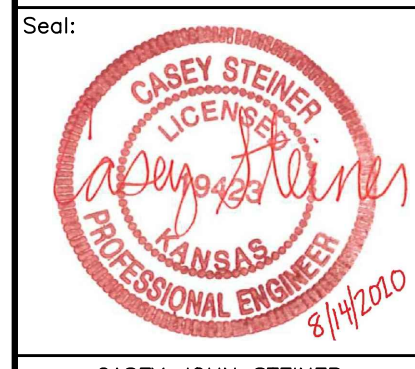
1. GRILLE AND ALL FASTENERS SHALL BE ALUMINUM.

**GENERAL NOTES (APPLY TO ALL ABOVE):**

- A. MAXIMUM NG OF 30 FOR ALL GRILLES, REGISTERS, AND DIFFUSERS.
- B. WHERE NOT NOTED, DIFFUSER NECK SIZE SHALL BE THE SAME AS THE BRANCH DUCT SIZE.



WICHITA, KANSAS  
Pool Improvements  
MINISA PARK



Casey John Steiner  
LICENSE #19423

Date: 8-14-20 Job #: 1820529

Drawn: CDW Checked: MST

Issue: CONSTRUCTION DOCUMENTS

MECHANICAL PLAN,  
DETAILS &  
SCHEDULES