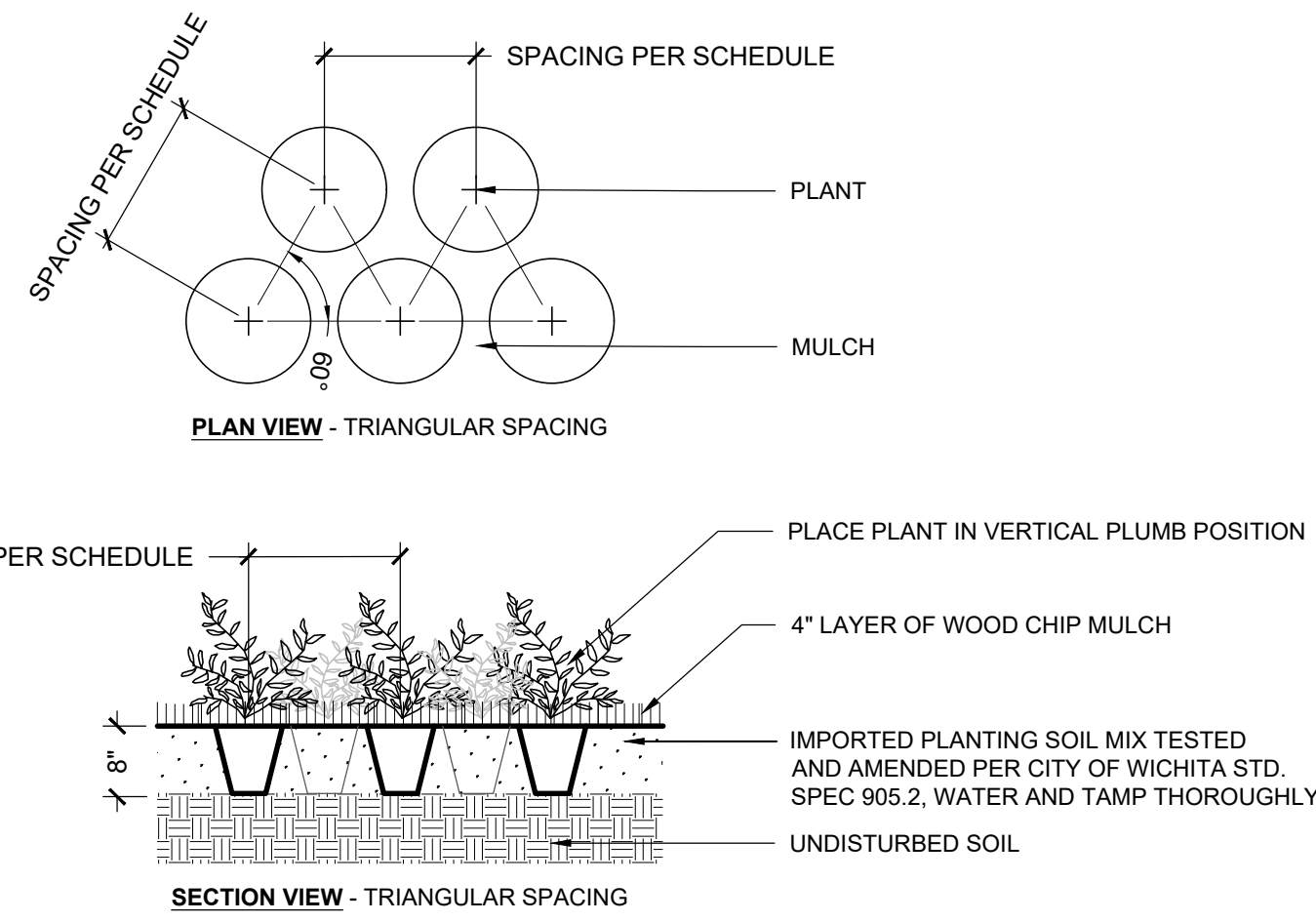
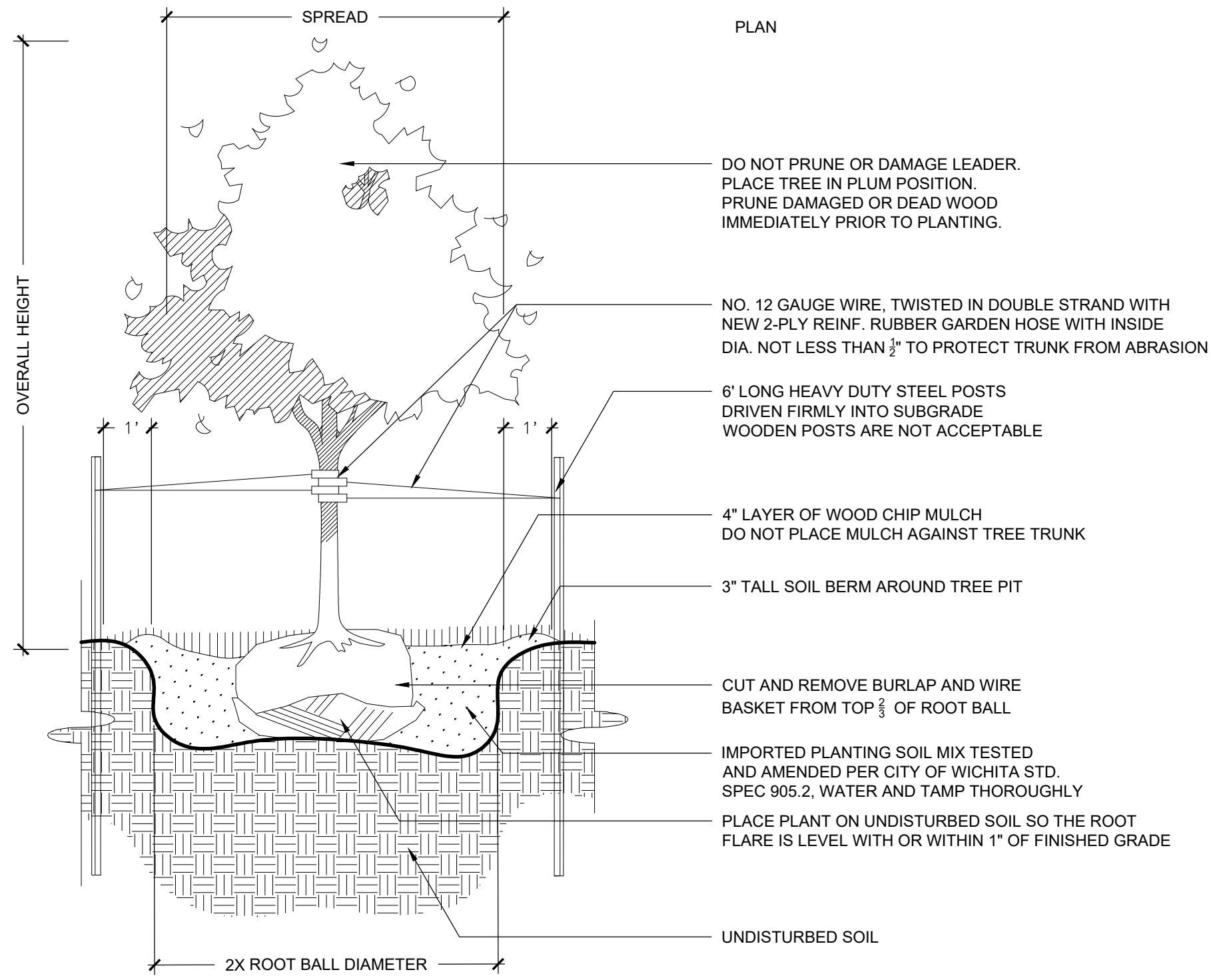
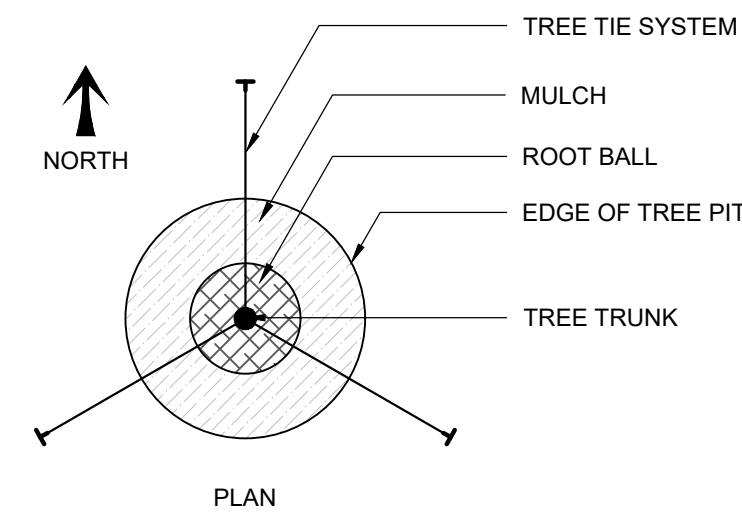


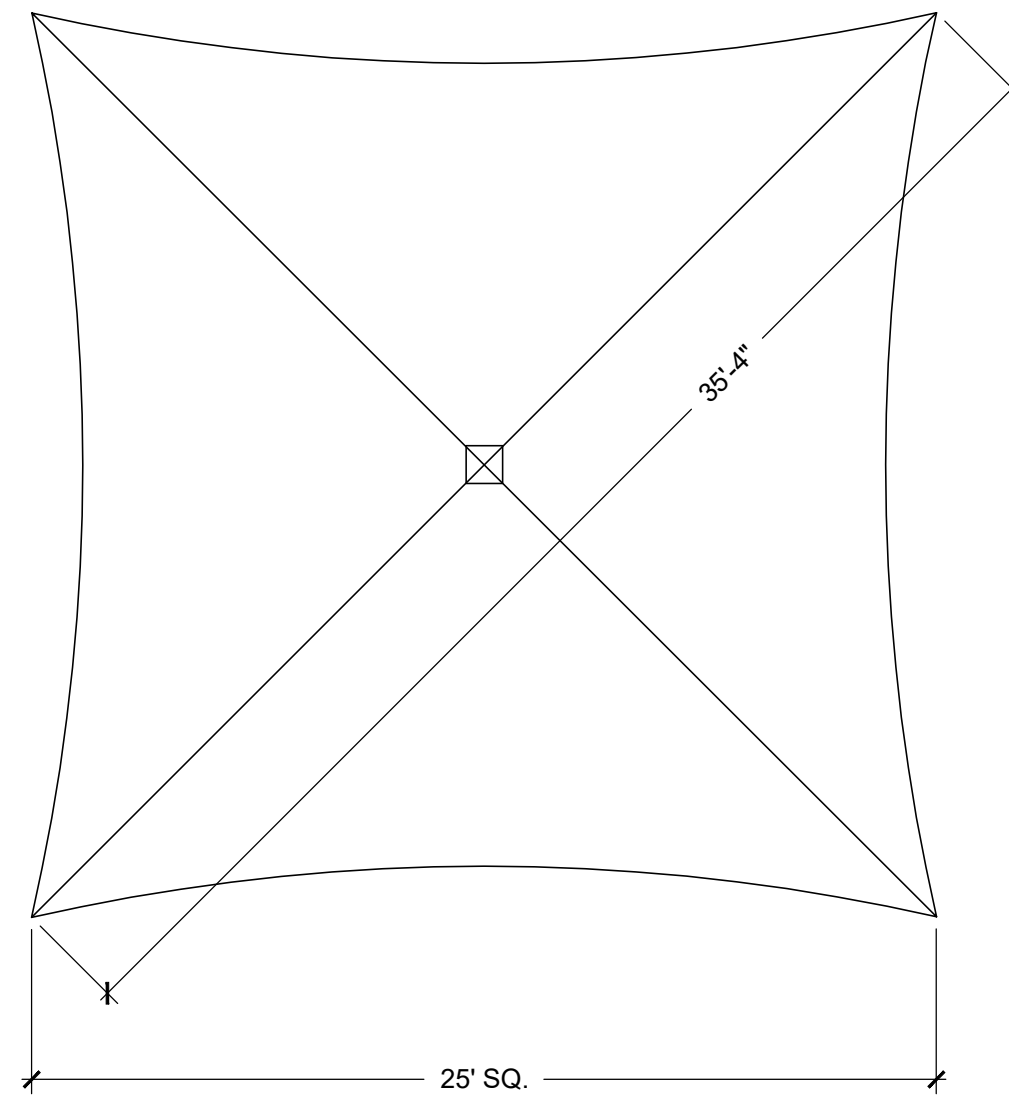
**1** SHRUB PLANTING  
SCALE = 1/2" = 1'-0"



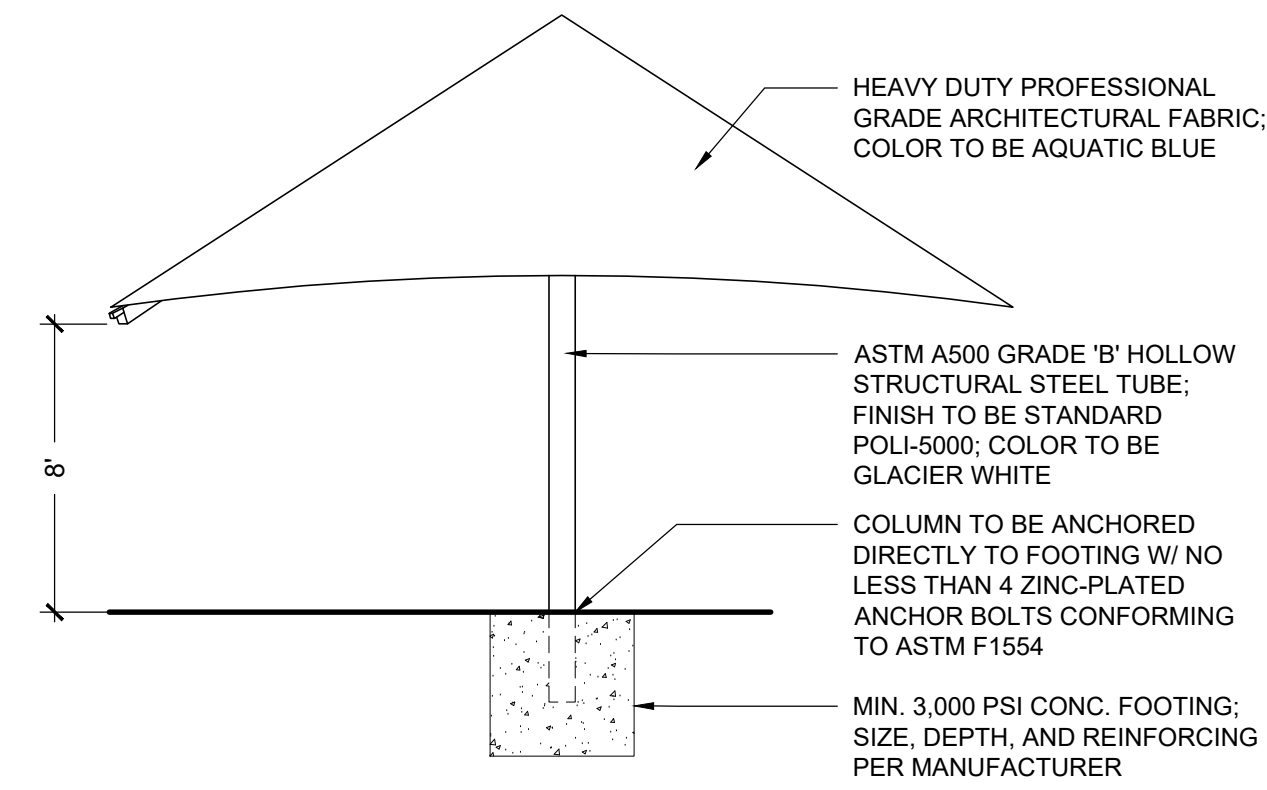
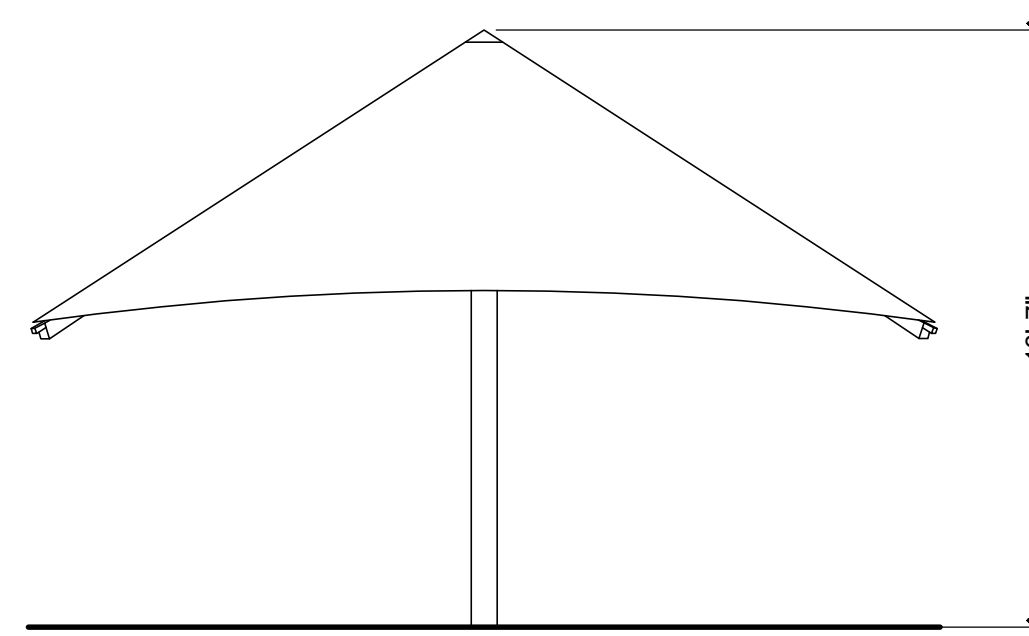
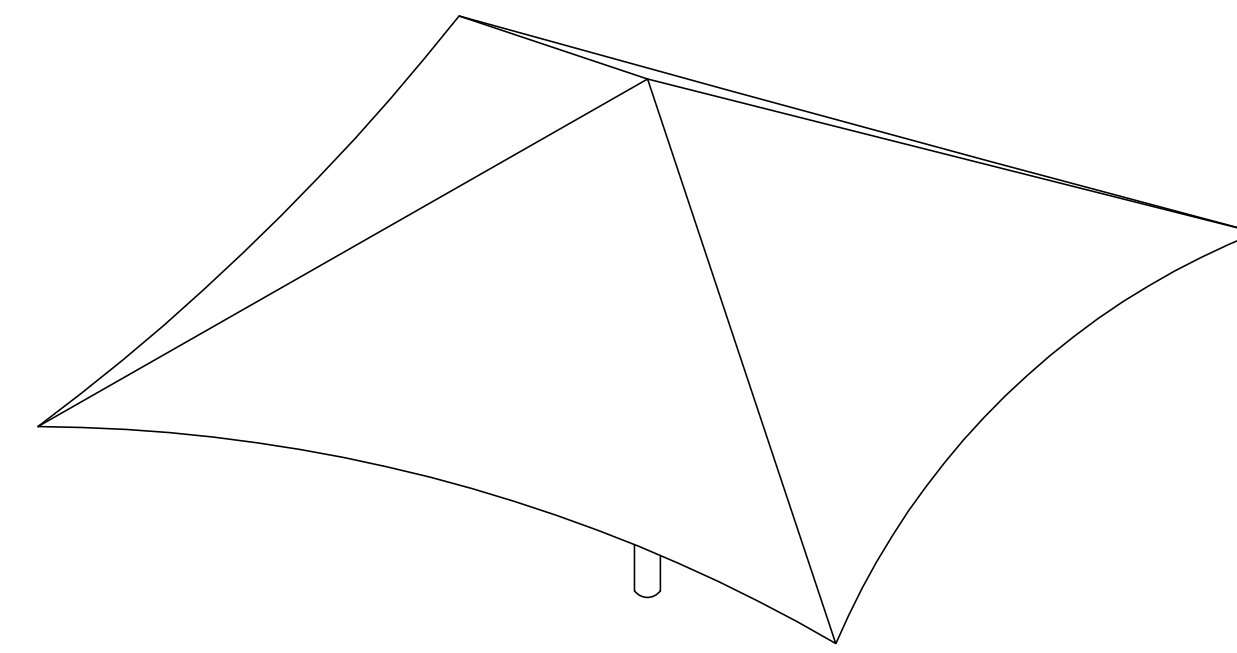
**2** PERENNIAL PLANTING  
SCALE = 1/2" = 1'-0"



**3** DECIDUOUS TREE PLANTING  
SCALE = 3/8" = 1'-0"



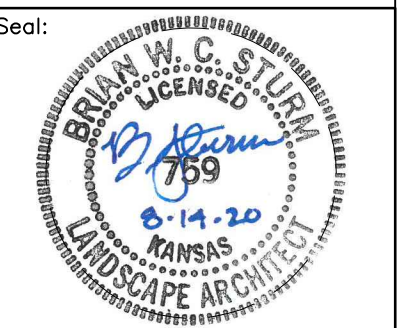
NOTE:  
SQUARE UMBRELLA (25X25)



**4** FABRIC SHADE STRUCTURE  
SCALE = 3/16" = 1'-0"



WICHITA, KANSAS  
Spray Ground  
LINWOOD PARK



Brian Sturm - LSCP, ARCH.  
LICENSE #759

Date: 08-14-20 Job #: 18-512

Drawn: JW Checked: BS

Issue: CONSTRUCTION DOCUMENTS

SITE  
DETAILS

L501