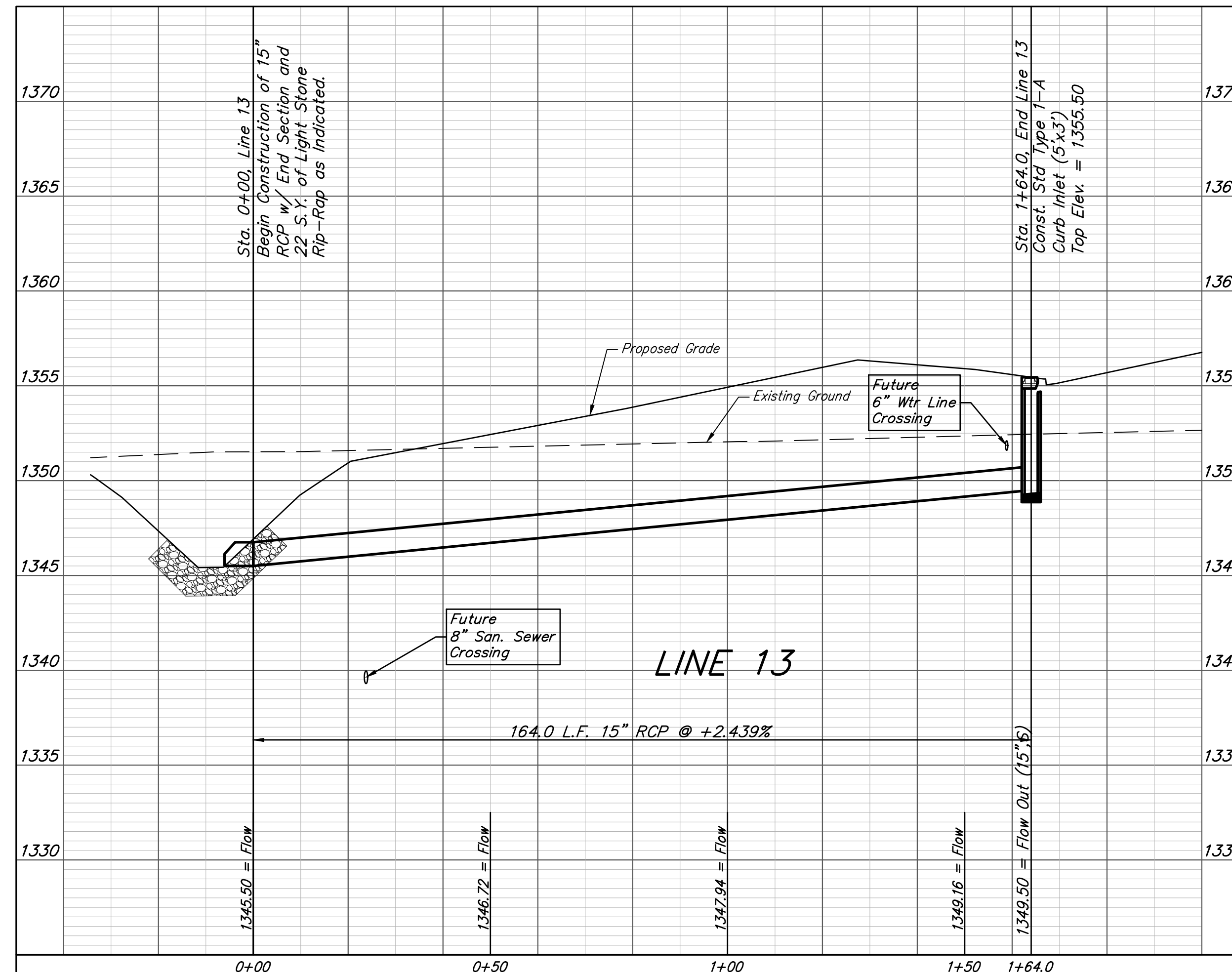
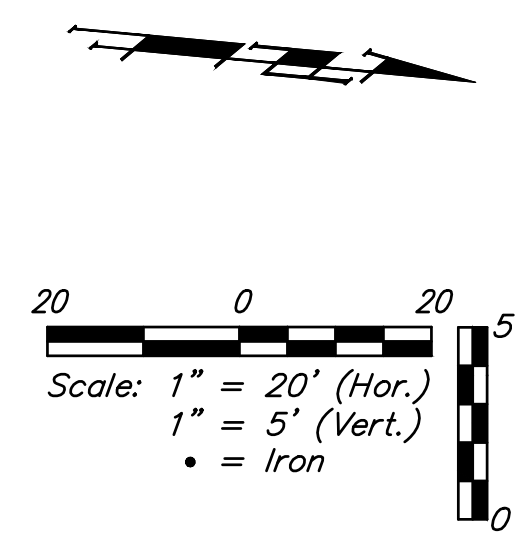
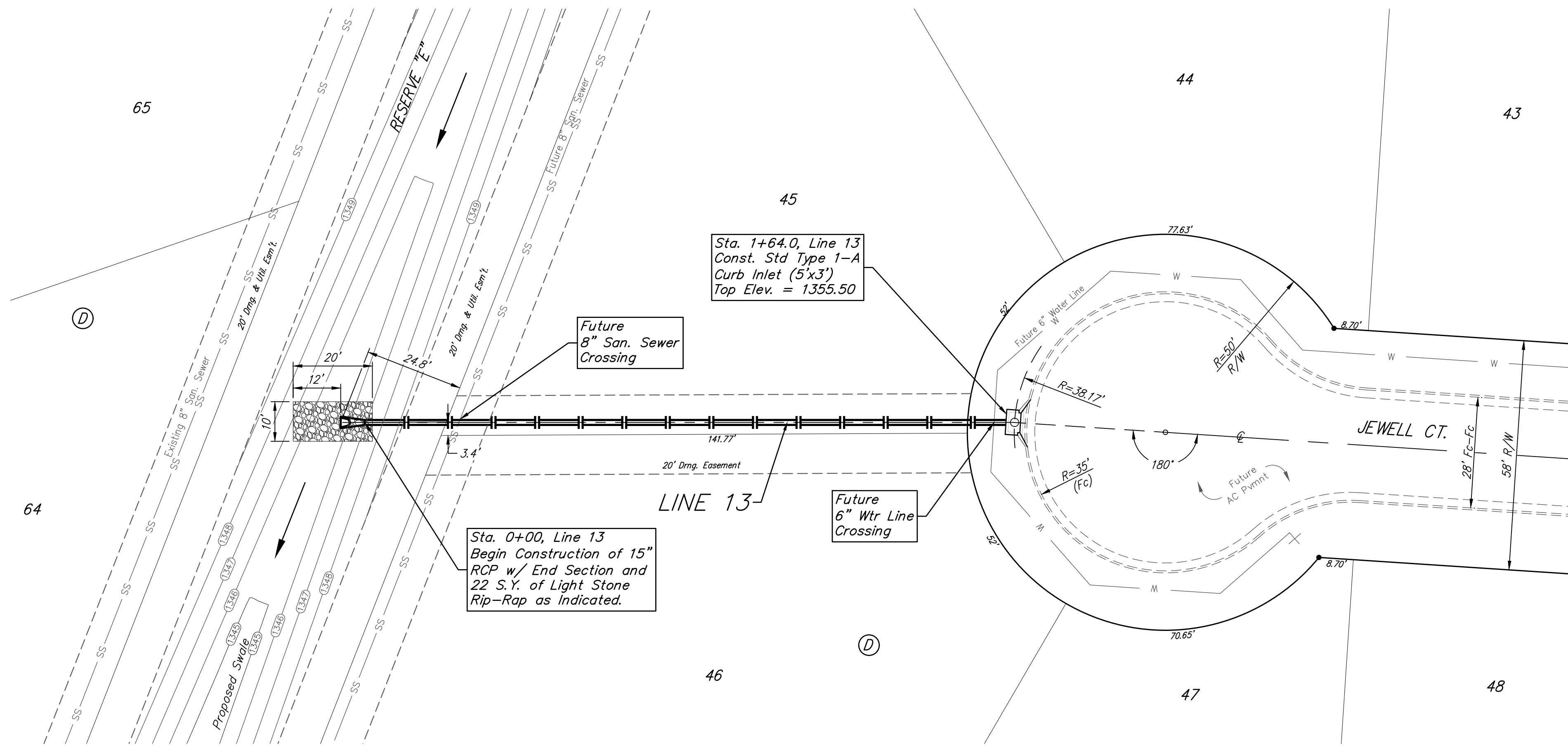


BENCHMARKS:
 135th St. W. & Pawnee
 City of Wichita Benchmark Disc,
 Northeast Corner of Intersection
 On SW Corner of Concrete Base
 of High Line Pole.
 Elev. = 1359.65 NGVD29

City of Wichita Benchmark Disc,
 0.4 Mi. South of Kellogg On
 135th St. W., West Side of
 Concrete Base for High Line
 Pole, West of K.G.&E.
 Substation, 135± South of
 Railroad Tracks On East Side of
 135th St. W.
 Elev. = 1367.77 NGVD29

TURKEY CREEK 4TH ADDITION



TURKEY CREEK 4TH ADDITION

	Turkey Creek 4th Addition
	LINE 13 Storm Water Drain #467
<small>Baughman Company, P.A. 315 Ellis St. Wichita, KS 67211 P 316-262-7271 F 316-262-0149 ENGINEERING SURVEYING PLANNING LANDSCAPE ARCHITECTURE</small>	
<small>PROJECT NUMBER 468-2020-085444</small>	<small>DESIGN DMV</small>
<small>REVISIONS:</small>	<small>DRAWN JAK</small>
	<small>APPROVED DATE 9/20/2020</small>
	<small>SCALE Noted</small>
	<small>SHEET 37 OF 65</small>