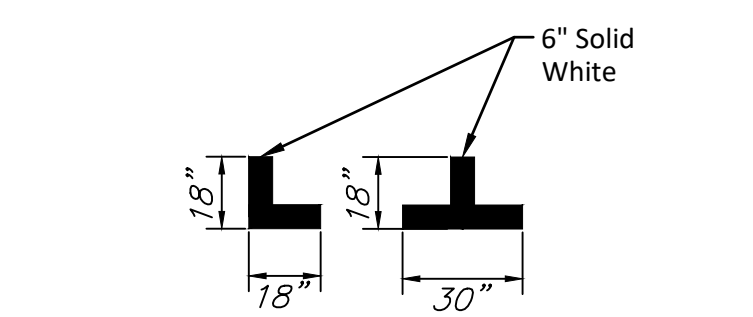
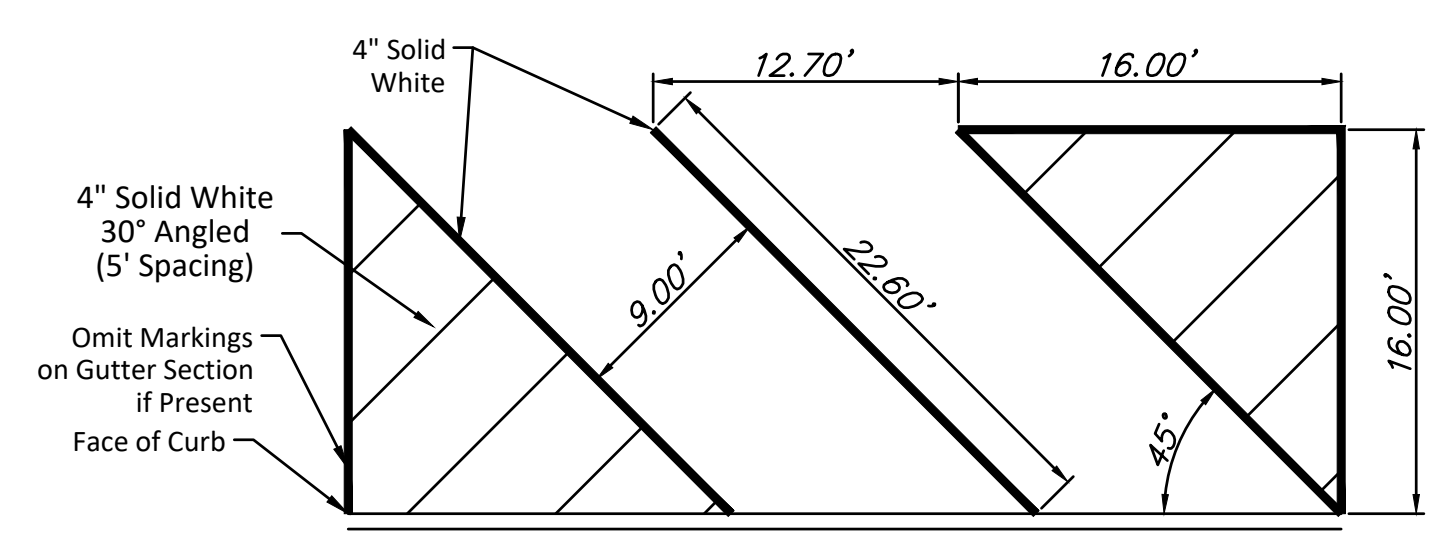
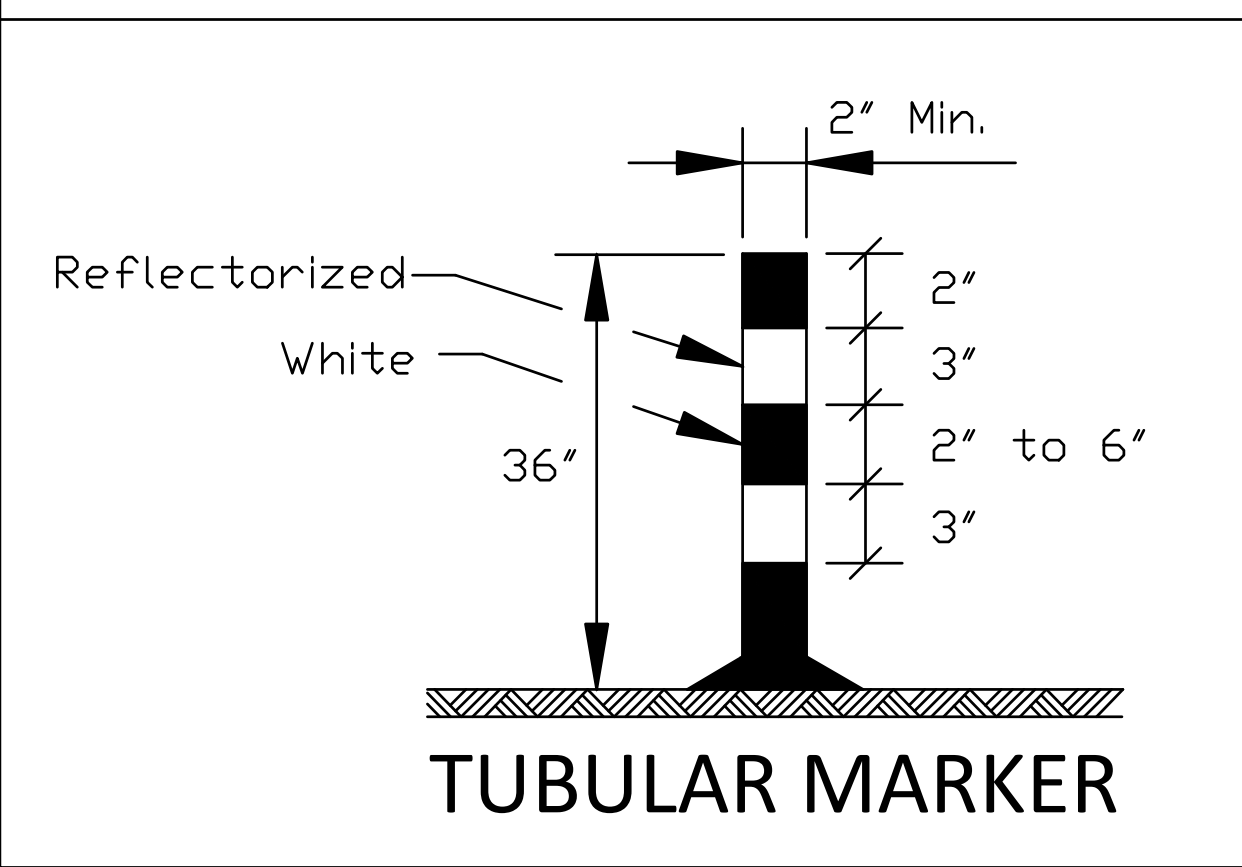
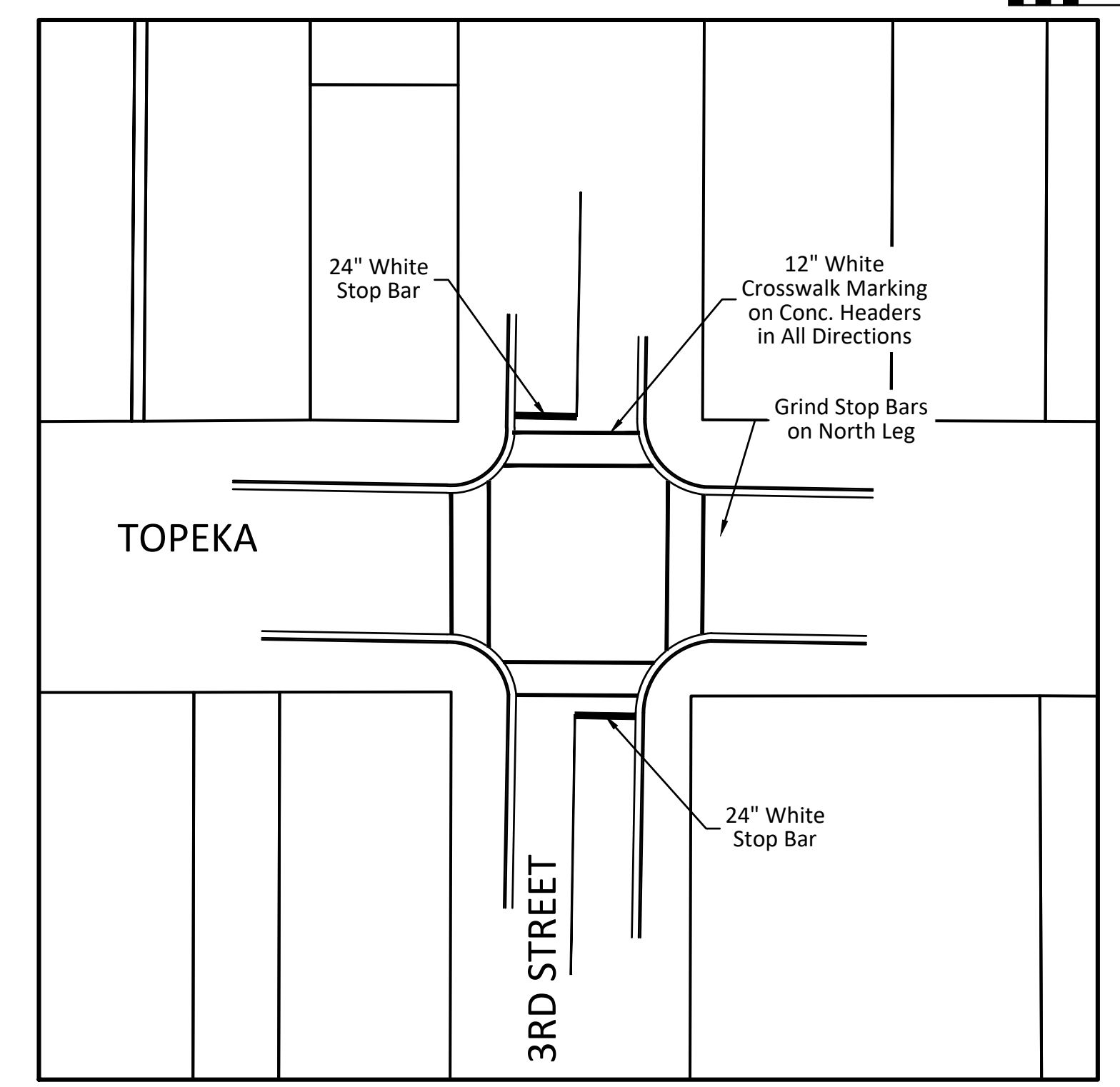
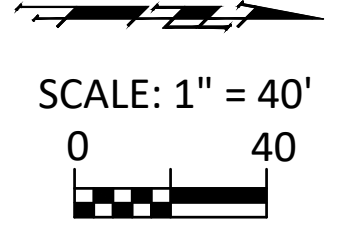


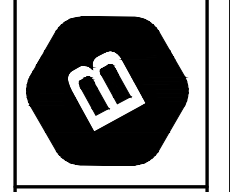
TOTAL BILL OF MATERIALS*		
ITEMS	UNITS	TOTAL
PAVEMENT MARKING (4" YELLOW)	LF	8,250
PAVEMENT MARKING (4" WHITE)	LF	3,000
PAVEMENT MARKING (6" WHITE)	LF	1,300
PAVEMENT MARKING (12" WHITE)	LF	2,000
PAVEMENT MARKING (24" WHITE)	LF	1,800
PAVEMENT MARKING (LEFT ARROW)	EA	4
PAVEMENT MARKING (RIGHT ARROW)	EA	8
PAVEMENT MARKING (MERGE RIGHT ARROW)	EA	6
TUBULAR MARKERS	EA	33

\*FOR INFORMATION ONLY (Contractor to Bid as needed)



**3RD STREET & TOPEKA**

**BAUGHMAN COMPANY**  
315 Ellis St. Wichita, KS 67211 316-262-7271  
BaughmanCo.com



**EMPORIA TWO-WAY CONVERSION  
MARKING PLAN  
CAPITAL IMPROVEMENT PROJECT**

PROJECT NUMBER: 472-085610  
INTERNAL NUMBER: 20-03-E546  
DESIGN: LP  
DRAWN: LP  
DATE: Nov, 2020  
SHEET  
OF  
**15**  
**16**