

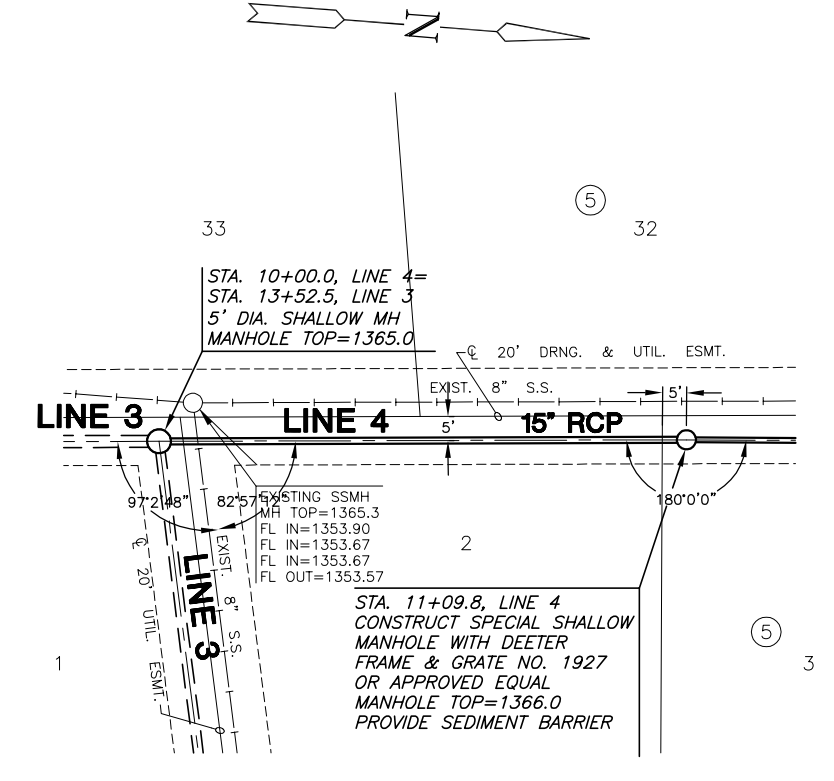
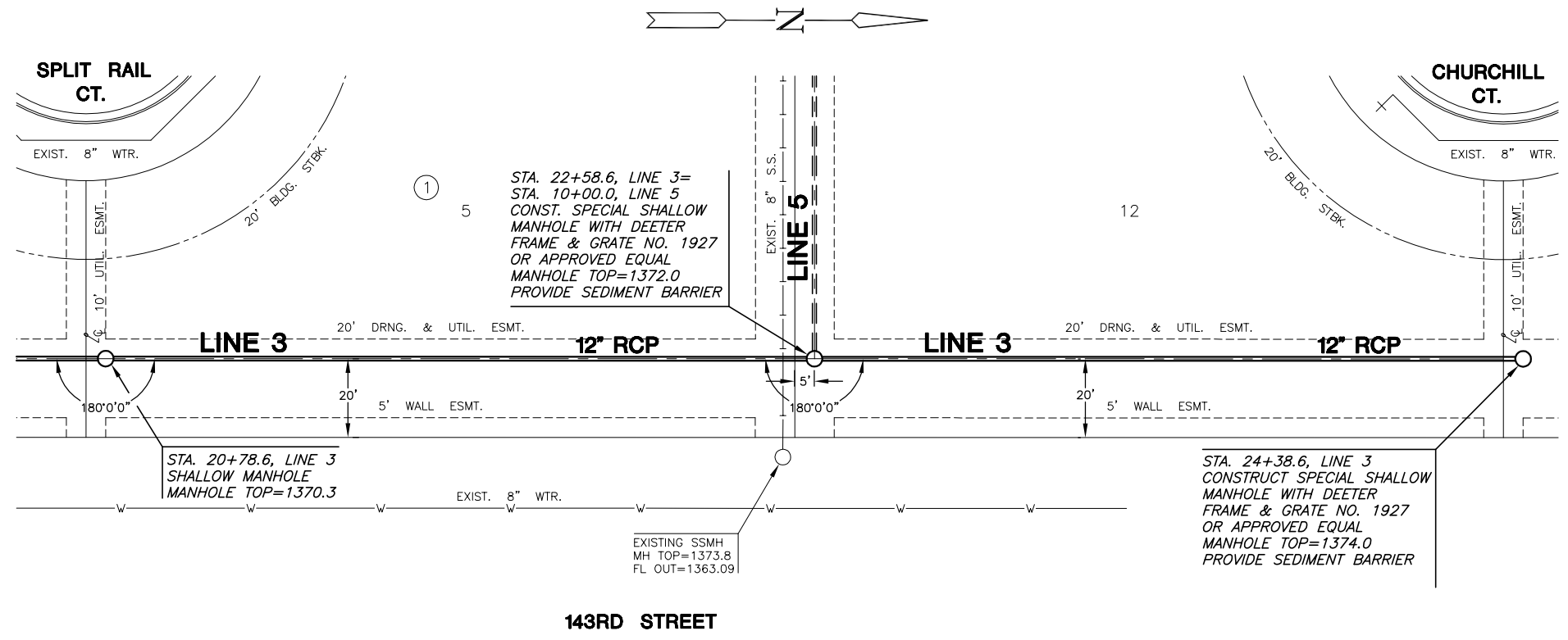
STORM WATER SEWER PLANS
KRUG SOUTH ADDITION
PHASE 1

LINES 3 & 4
SHEET TITLE
468-84325
PROJECT NUMBER

DESIGN BY: DFL
DRAWN BY: SMS
CHECKED BY: GJA

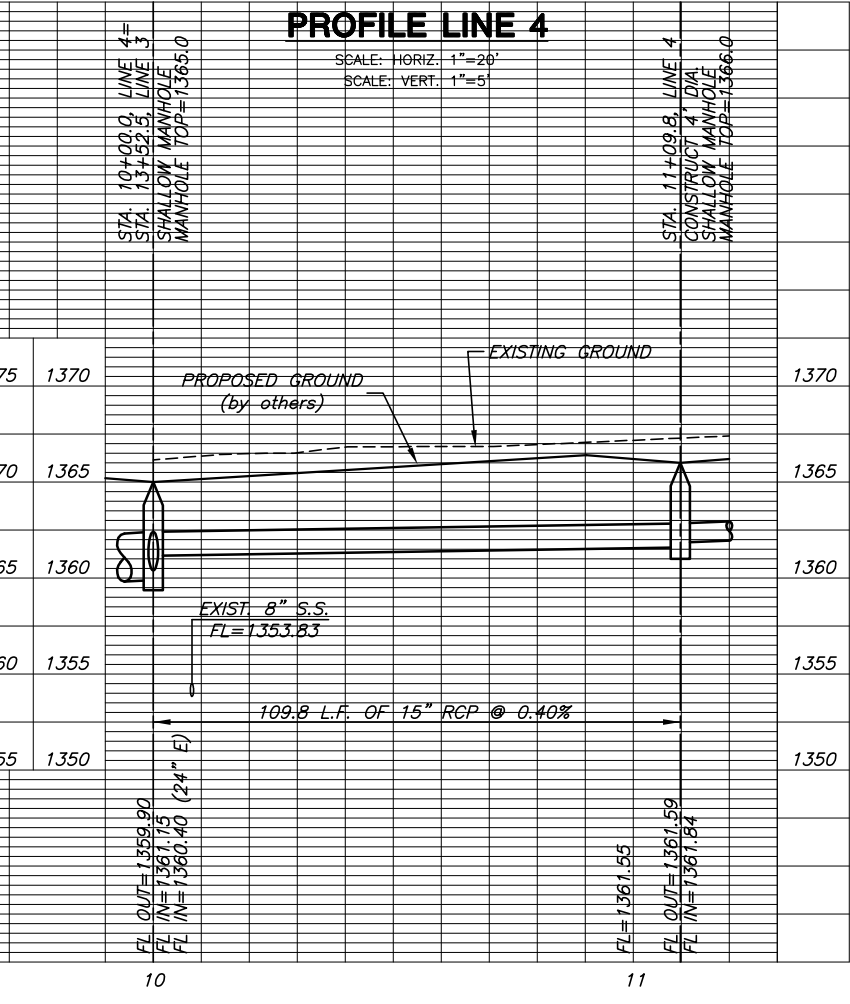
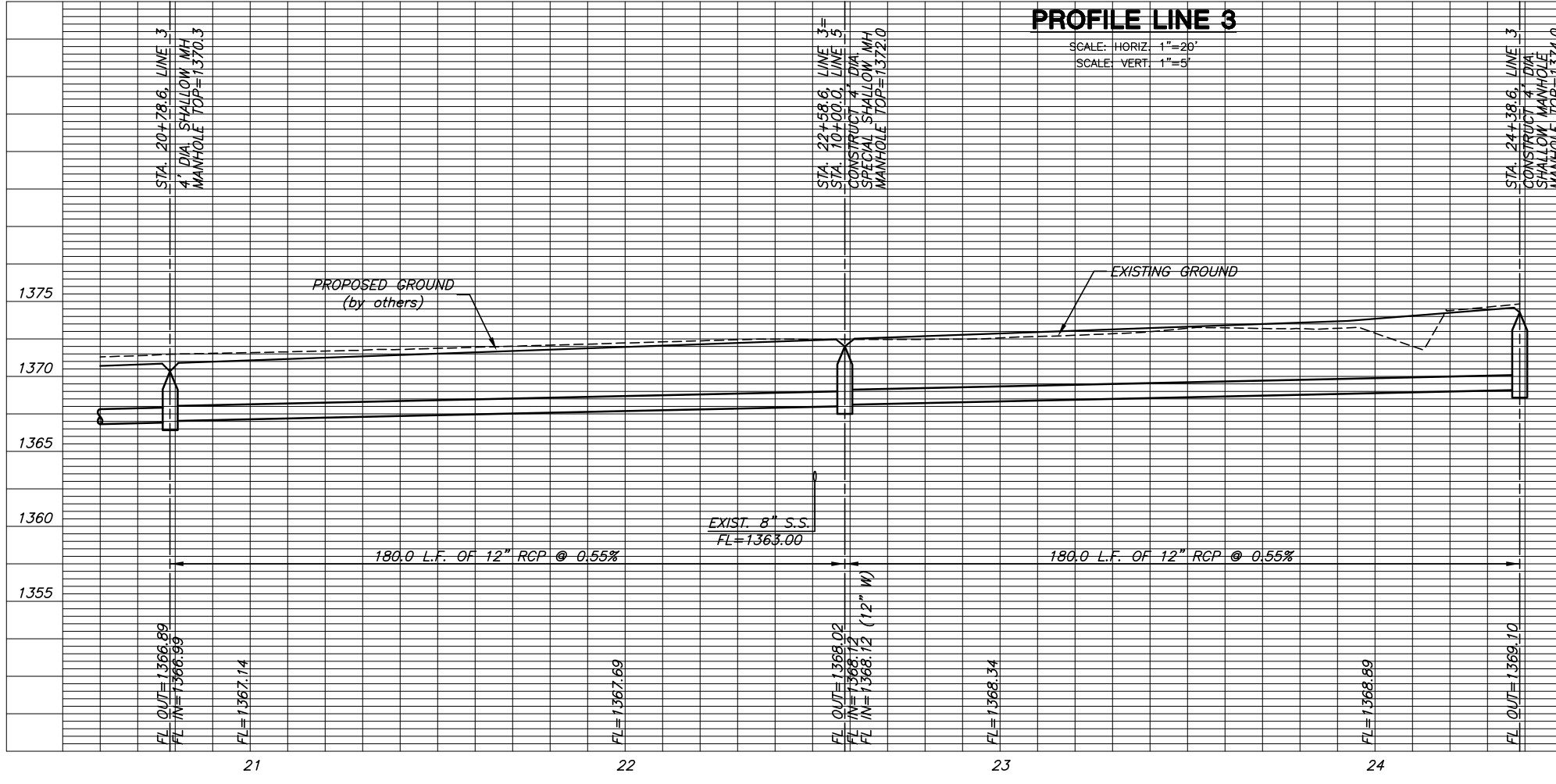
ISSUED: May 2007
REVISED:

SHEET NO.
13 of 26



PLAN LINE 3

PLAN LINE 4



PROFILE LINE 3

PROFILE LINE 4

PLT07B; Tuesday, May 15, 2007 @ 07:10AM

J:\CIVIL\05291\DWG\SWS\PH1\05291_L08.DWG