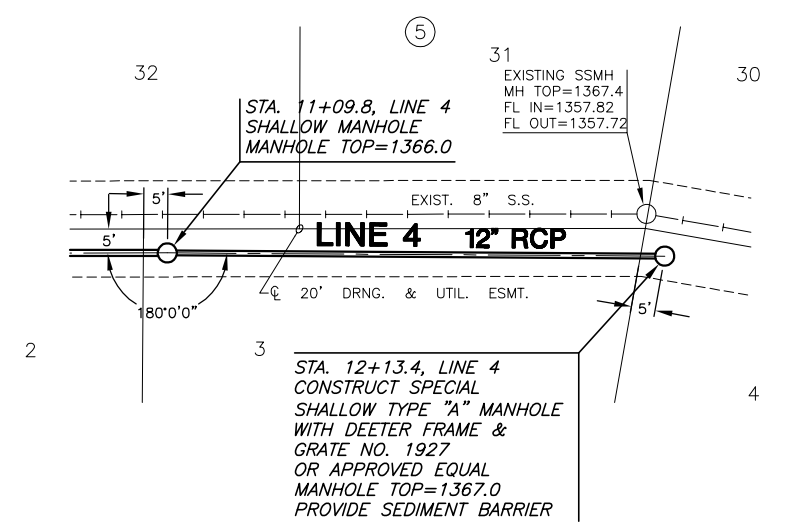
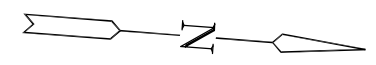
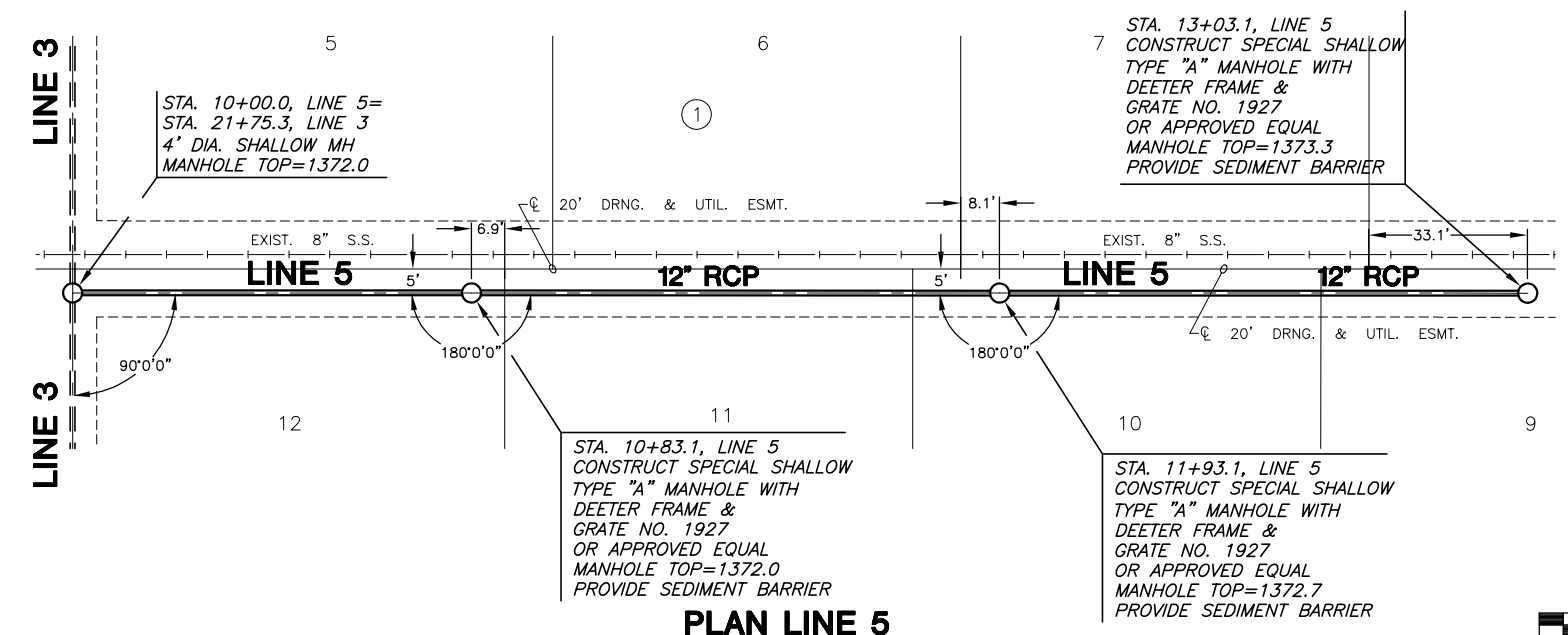


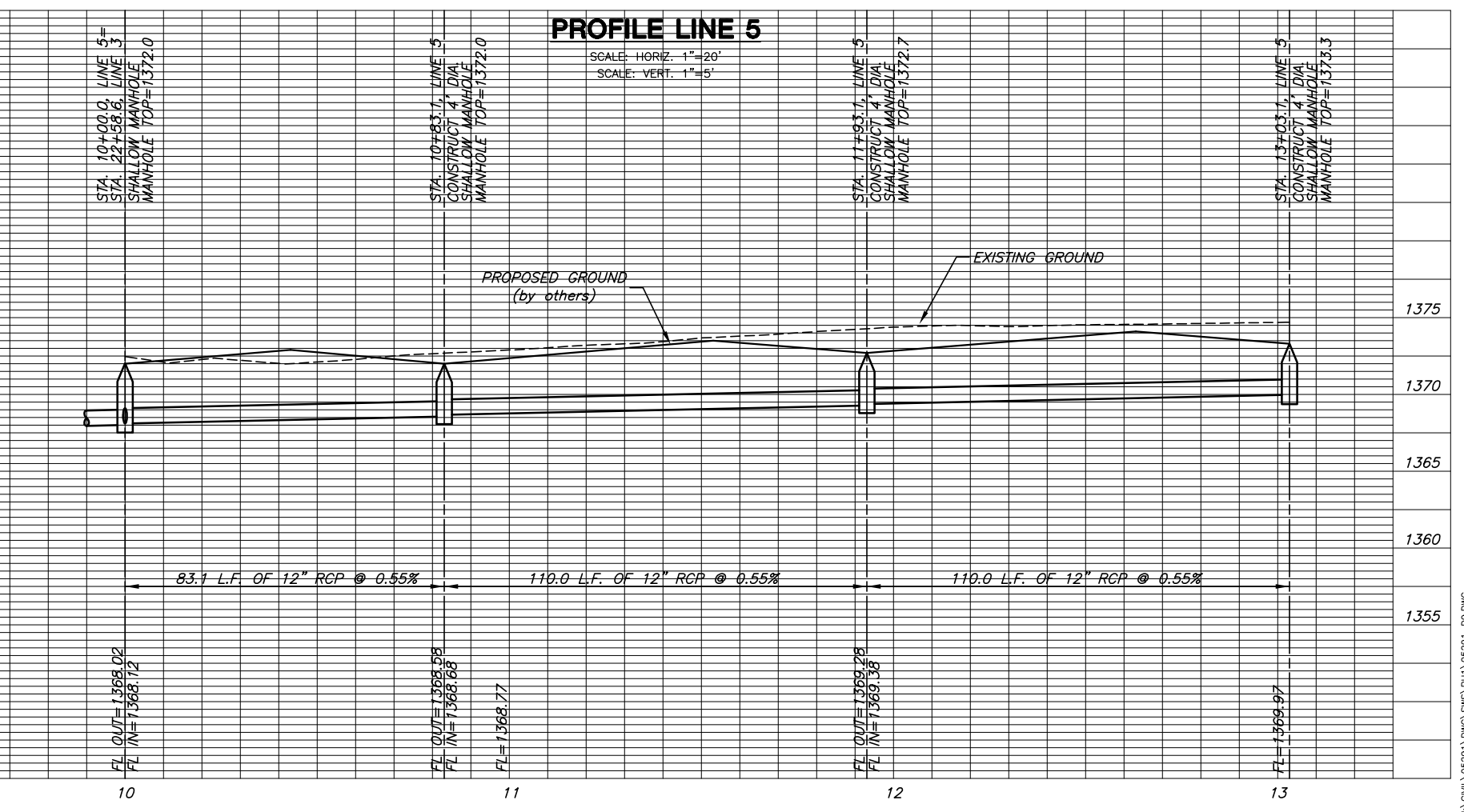
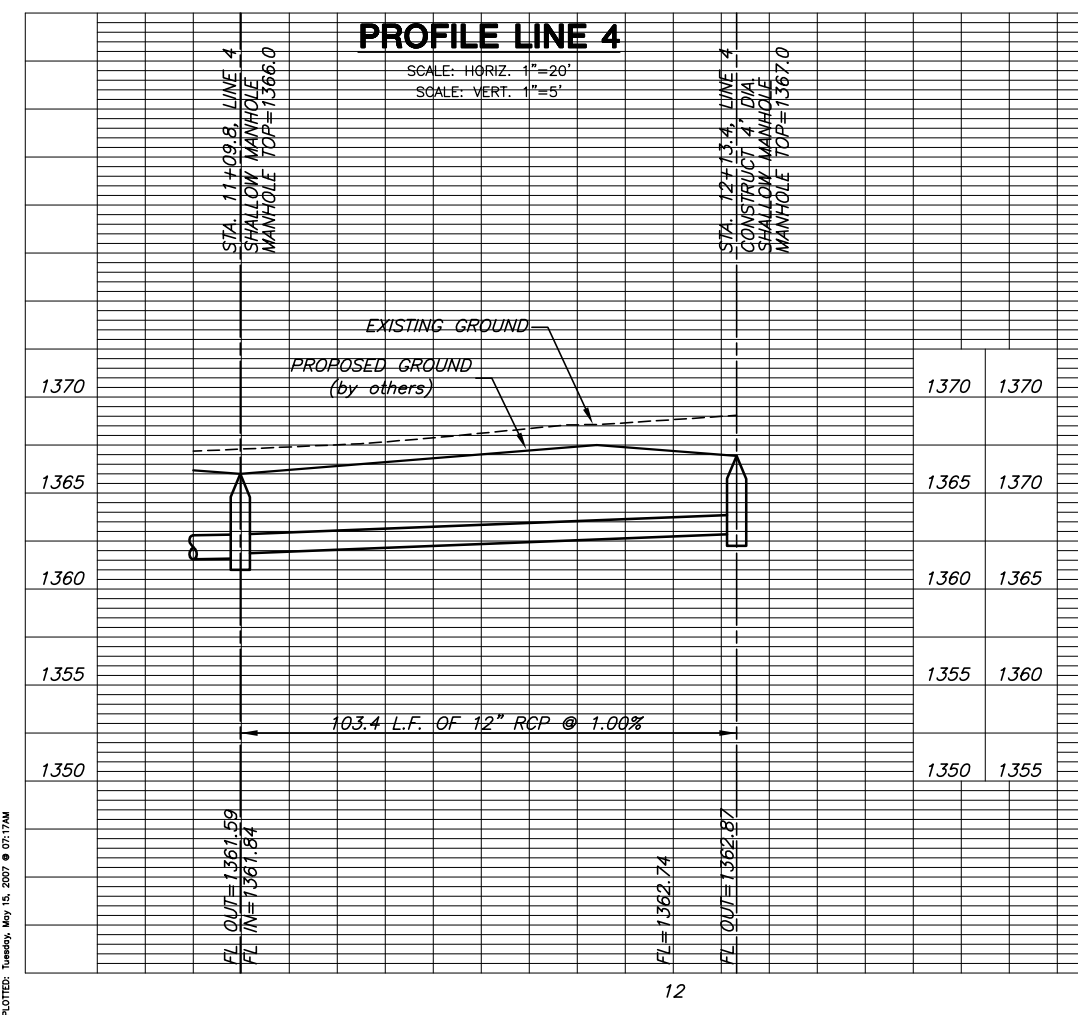
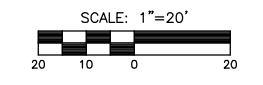
**STORM WATER SEWER PLANS**  
**KRUG SOUTH ADDITION**  
**PHASE 1**



**PLAN LINE 4**



**PLAN LINE 5**



PLOTTER: Tuesday, May 15, 2007 @ 07:17AM

J:\CIVIL\05291\DWG\SMS\PH1\05291\_L09.DWG

**LINES 4 & 5**  
SHEET TITLE  
468-84325  
PROJECT NUMBER

DESIGN BY: DFL  
DRAWN BY: SMS  
CHECKED BY: GJA

ISSUED: May 2007  
REVISED:

SHEET NO.  
**14 of 26**