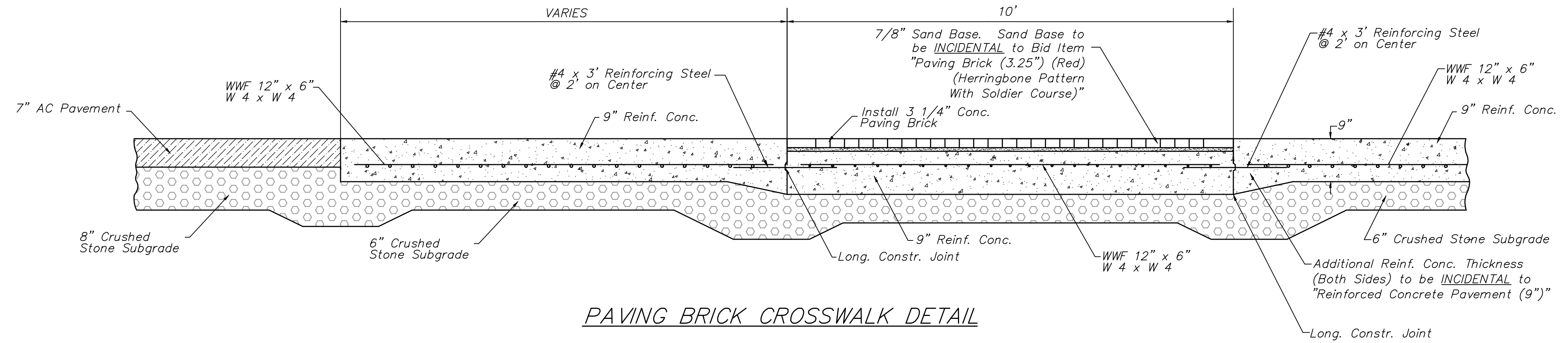
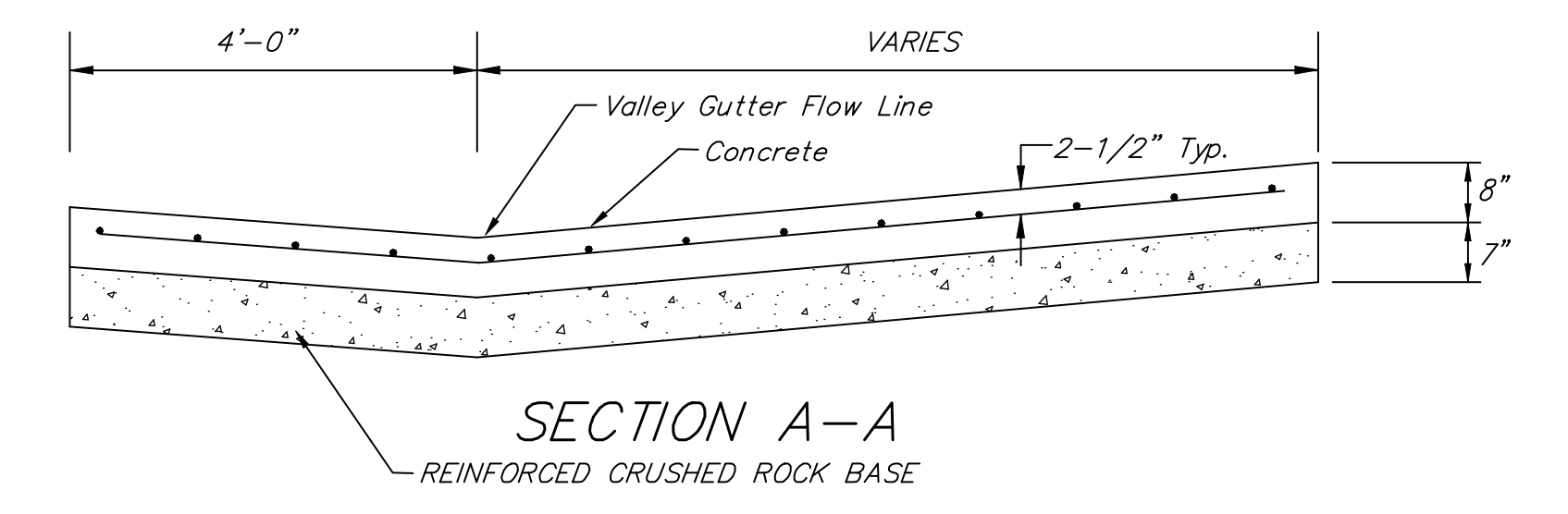


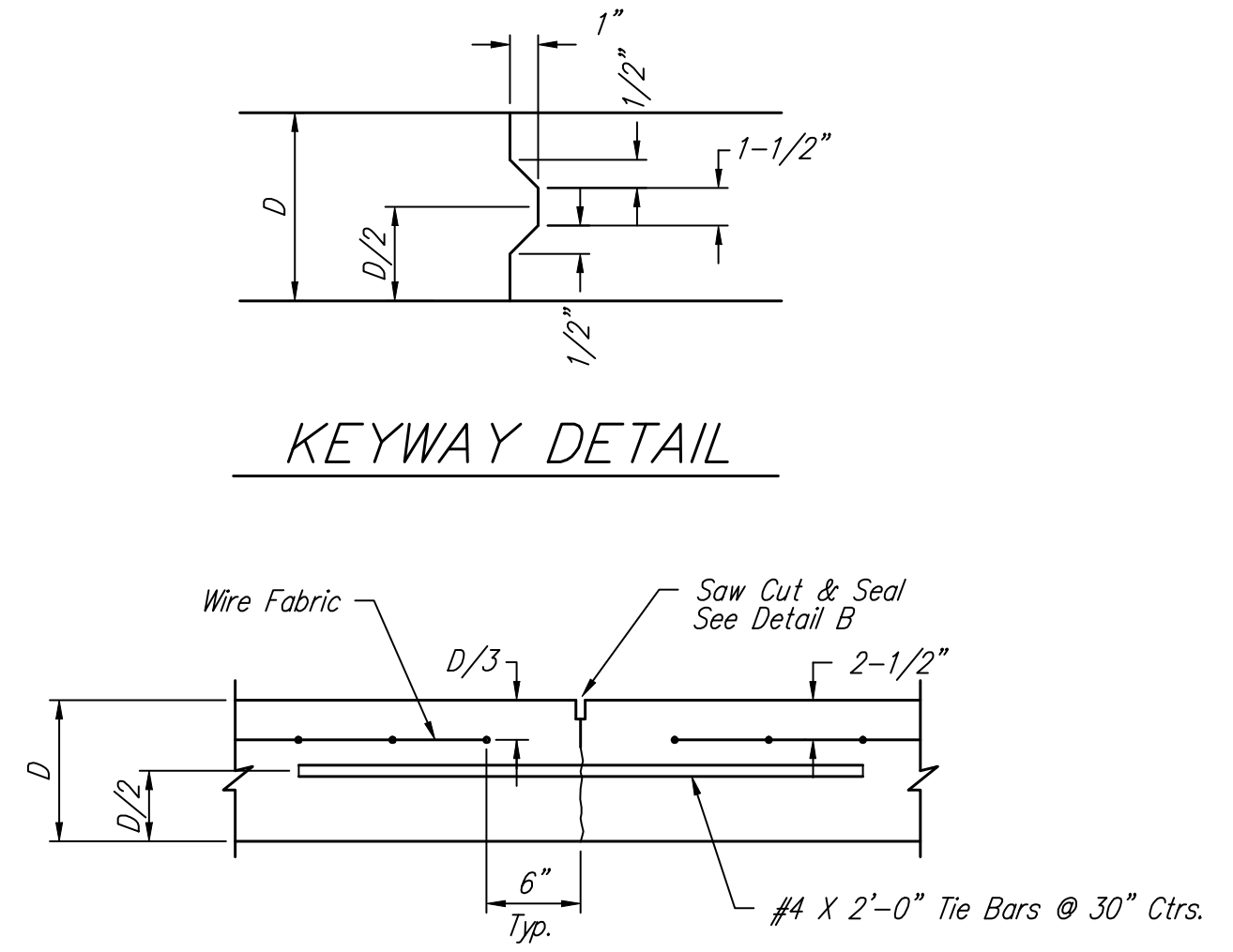
FHWV REGION NO.	STATE	PROJECT NO.	FISCAL YEAR	SHEET NO.	TOTAL SHEETS
7	KANSAS	87N-0348-01	2007	6	135



PAVING BRICK CROSSWALK DETAIL

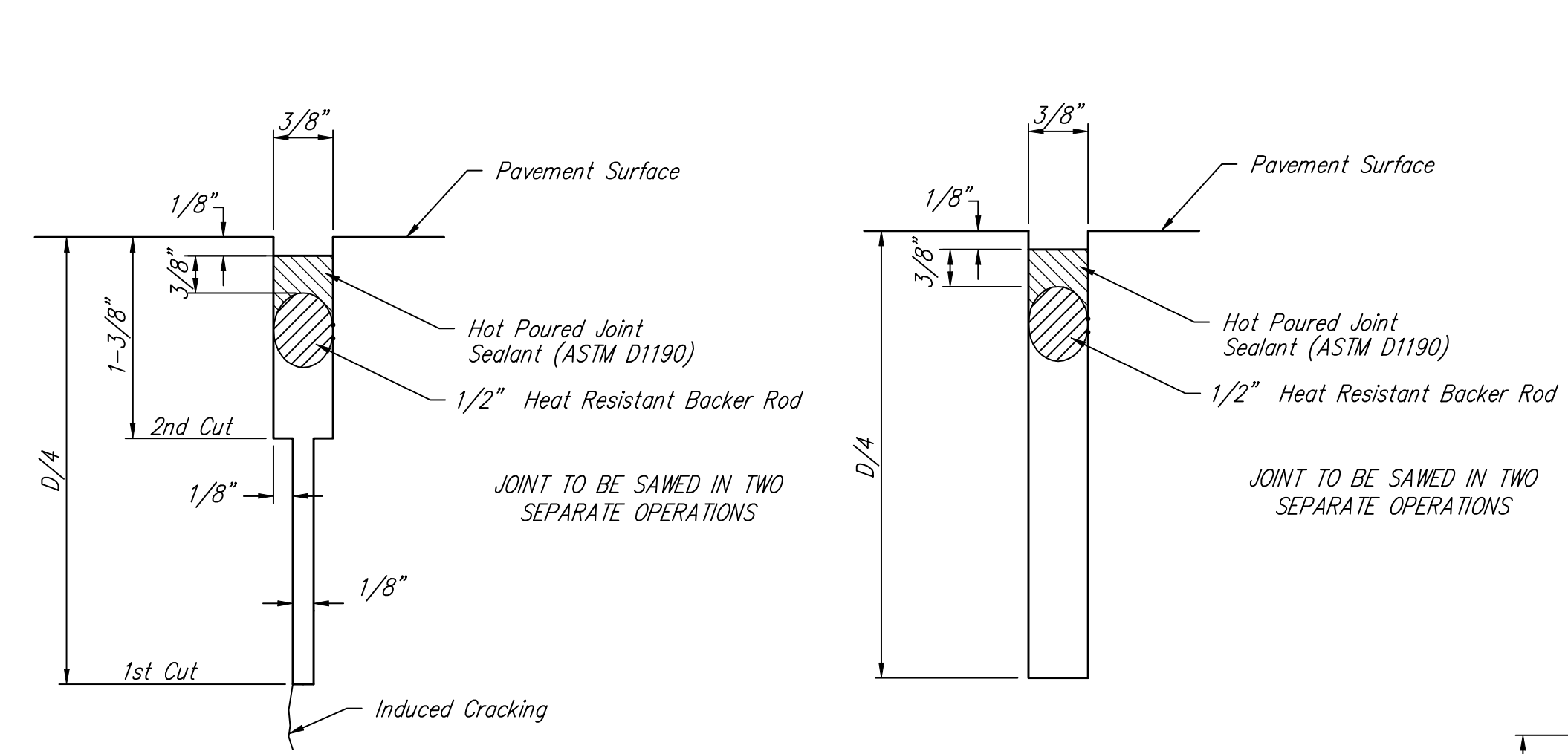


SECTION A-A
REINFORCED CRUSHED ROCK BASE



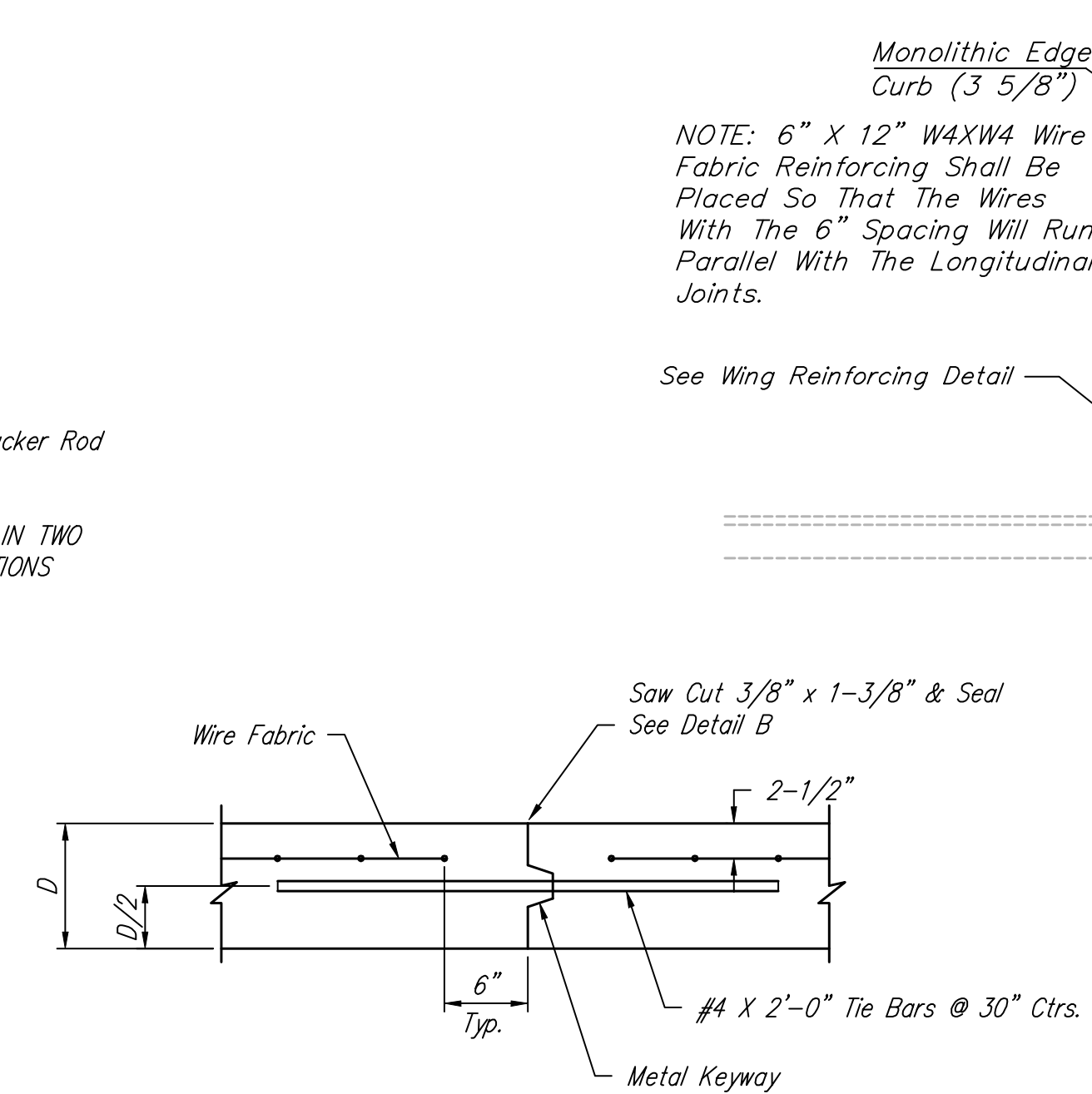
KEYWAY DETAIL

LONGITUDINAL JOINT DETAIL (L.J.)

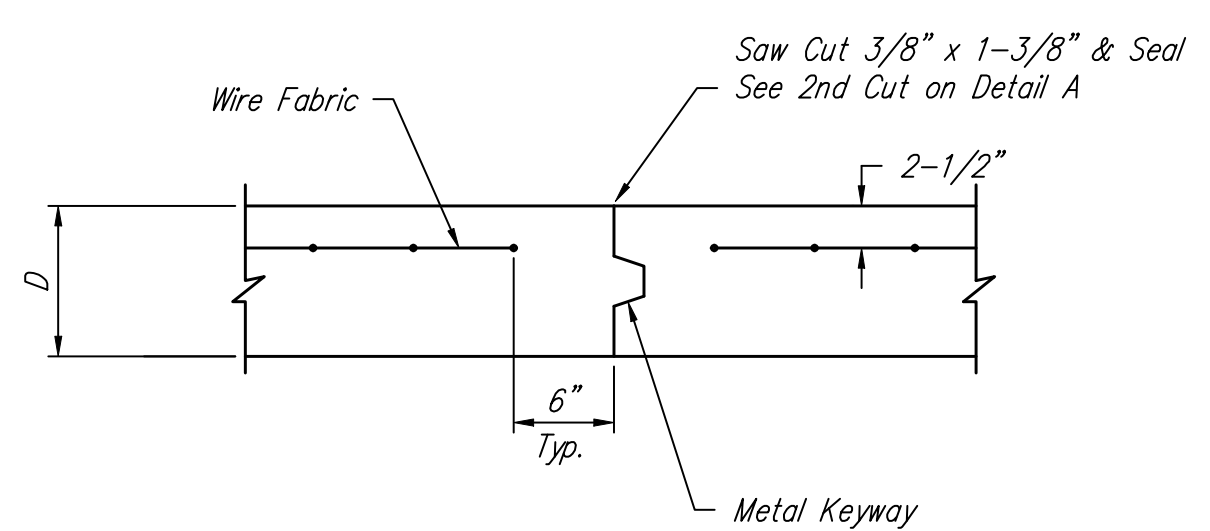


SAW JOINT DETAIL "A"

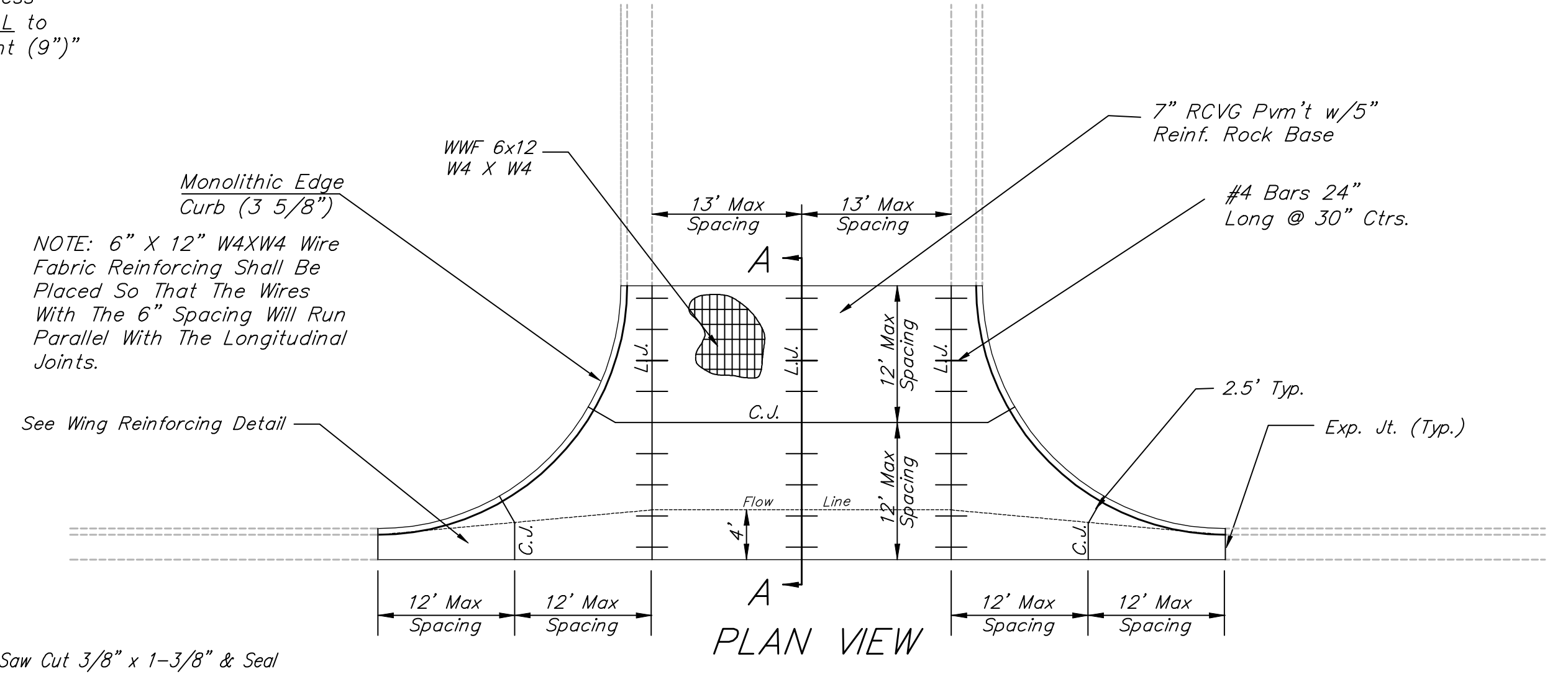
SAW JOINT DETAIL "B"



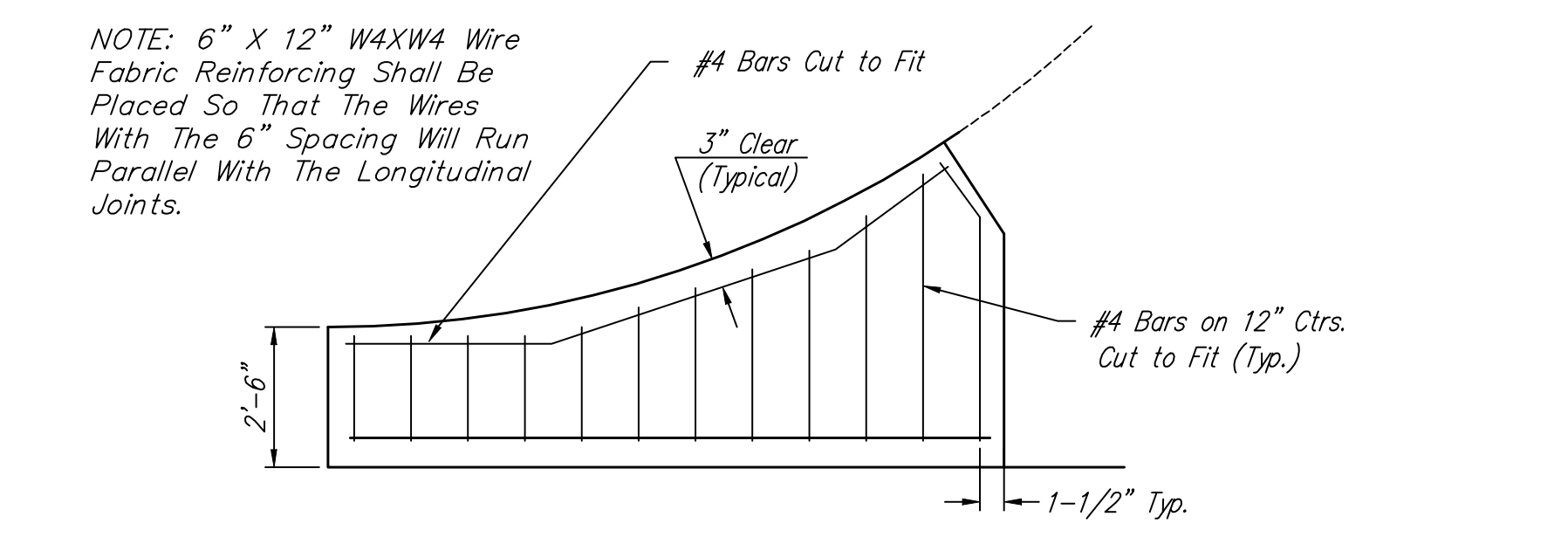
OPTIONAL LONGITUDINAL JOINT DETAIL (L.J.)
(CONSTRUCTION JOINT)



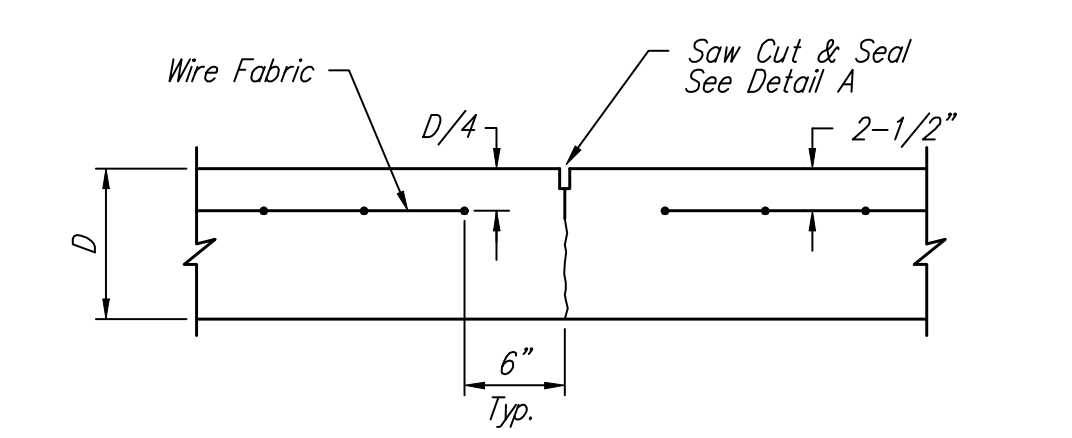
OPTIONAL CONTRACTION JOINT
(CONSTRUCTION JOINT)



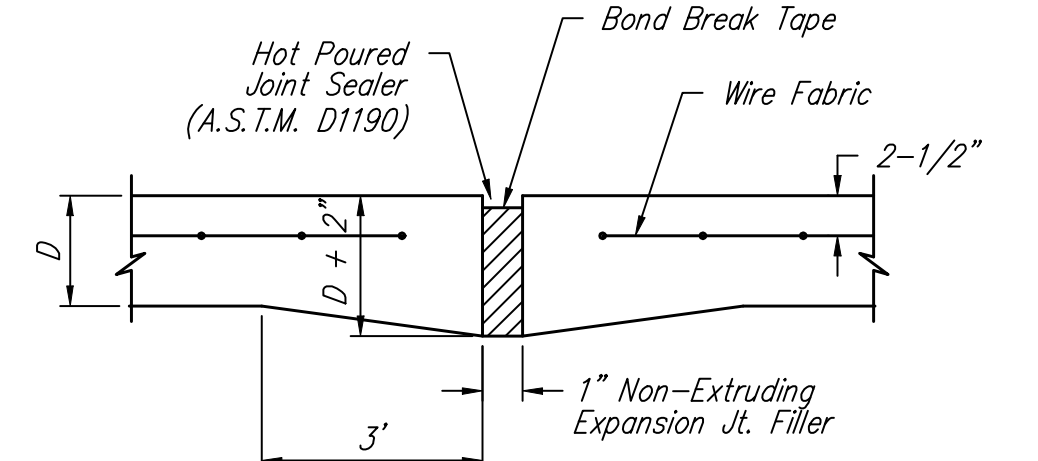
REINFORCED VALLEY GUTTER DETAIL



WING REINFORCING DETAIL

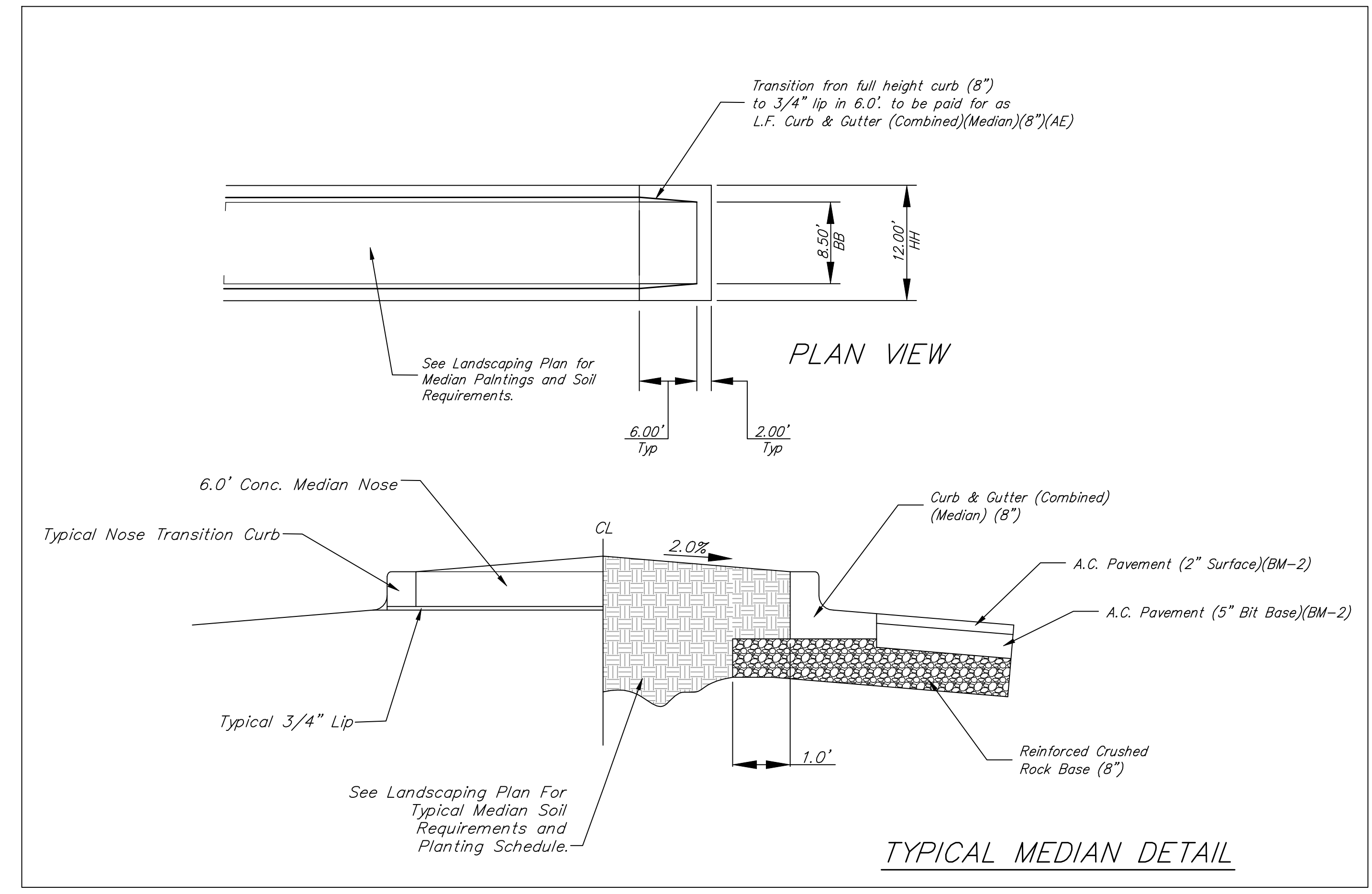


CONTRACTION JOINT DETAIL (C.J.)



EXPANSION JOINT

NOTE: Extra Thickness to be Subsidiary to Price of Square Yards Pavement



TYPICAL MEDIAN DETAIL

Drawing File: F:\eng\29th (Maise-119th)\Details\pvmntdetail
 Design: AZIERE Project No. 0403-E828 CAPITAL IMPROVEMENT PROJECT
 Drawn: STAFF 29th Street Paving Plan
 Approved: JFB STANDARD PAVEMENT DETAIL
 Scale: NOTED 29th Street Paving Project - Main Road to 119th Street

B Baughman Company, P.A.
 315 Ellis St. Wichita, KS 67211 P 316-262-7271 F 316-262-0149
 Baughman ENGINEERING | SURVEYING | PLANNING | LANDSCAPE ARCHITECTURE