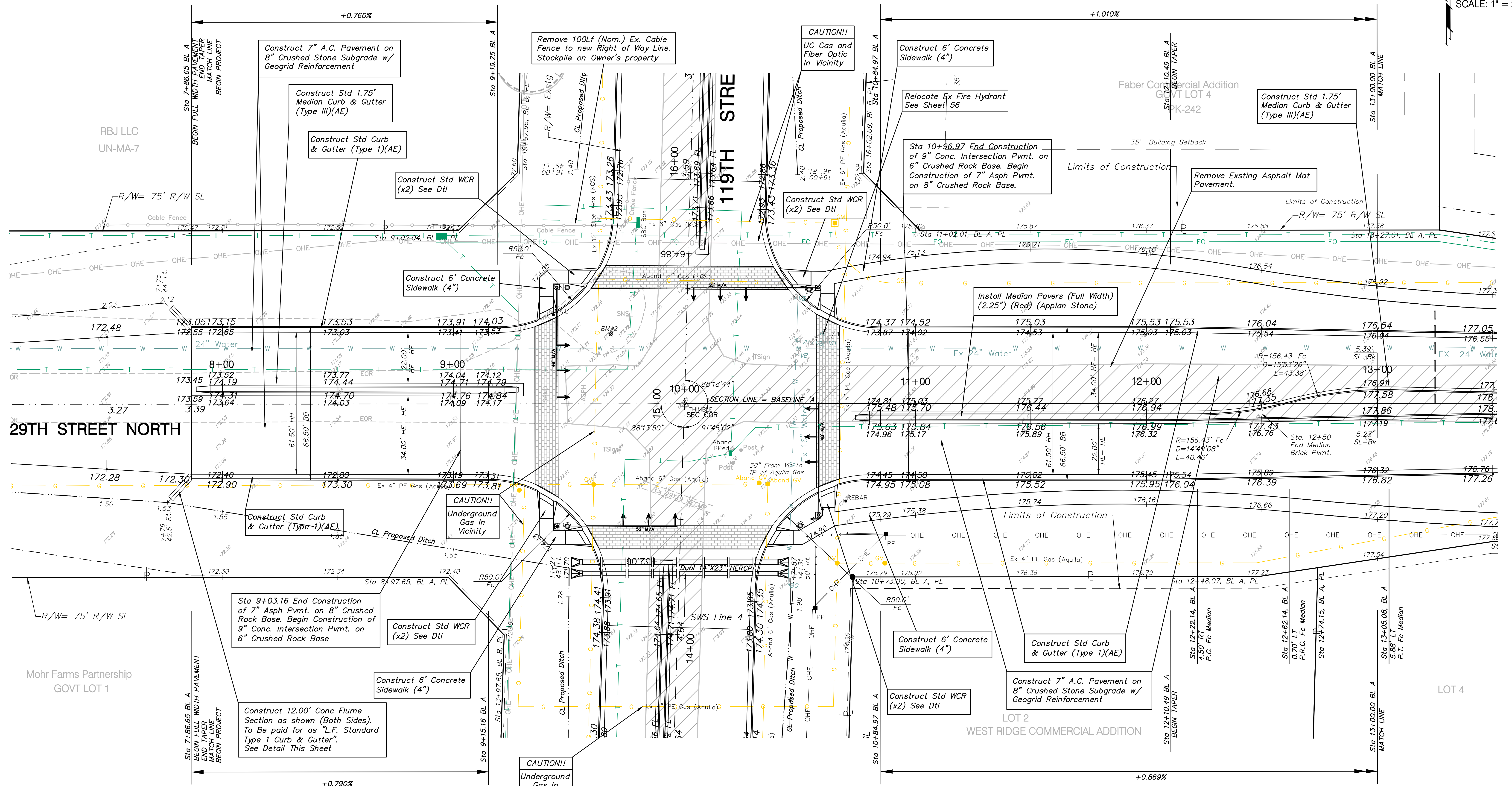
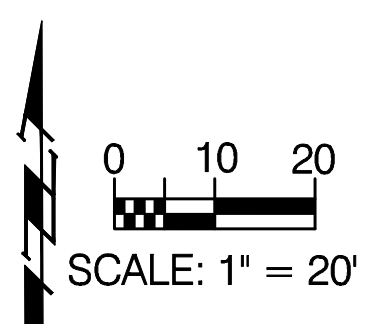


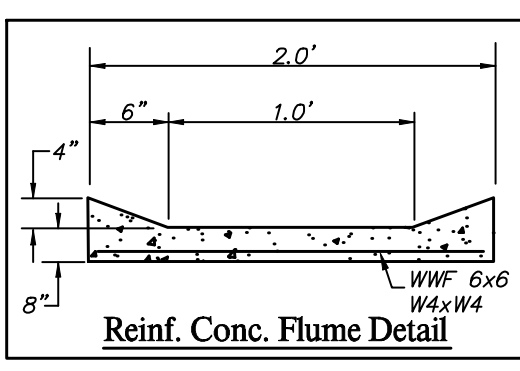
**BENCHMARKS**

BM#2 - City of Wichita Bench Mark Disc, Located at the Northwest Corner of 119th Street & 29th Street Intersection. Elev. = 1360.93 MSL (173.53 City Datum)

FRTWA REGION NO.	STATE	PROJECT NO.	FISCAL YEAR	SHEET NO.	TOTAL SHEETS
7	KANSAS	87N-0348-01	2007	8	135



Construction Engineer shall be responsible for preserving Ex. Section Line Monument During Construction or for Resetting Monument Post Construction.



**Note:**  
Trees/Shrubs to be removed are marked thus:

**Note:**  
Pavement, Sidewalks, and Etc. To Be Removed Are Indicated By:

Drawing File: F:\eng\29th (Maine-119th)\(Pav02)  
 Design: AZIERE  
 Drawn: AZIERE  
 Approved: JFB  
 Scale: NOTED

Project No. 0403-E828 CAPITAL IMPROVEMENT PROJECT  
**29th Street Paving Plan**  
 Sta. 8+00 to Sta. 13+00  
 29th Street Paving Project - Maine Road to 119th Street

**Baughman Company, P.A.**  
 315 Ellis St. Wichita, KS 67211 P 316-262-7271 F 316-262-0149  
 ENGINEERING | SURVEYING | PLANNING | LANDSCAPE ARCHITECTURE

May 2007  
 SHEET **8** OF **135**