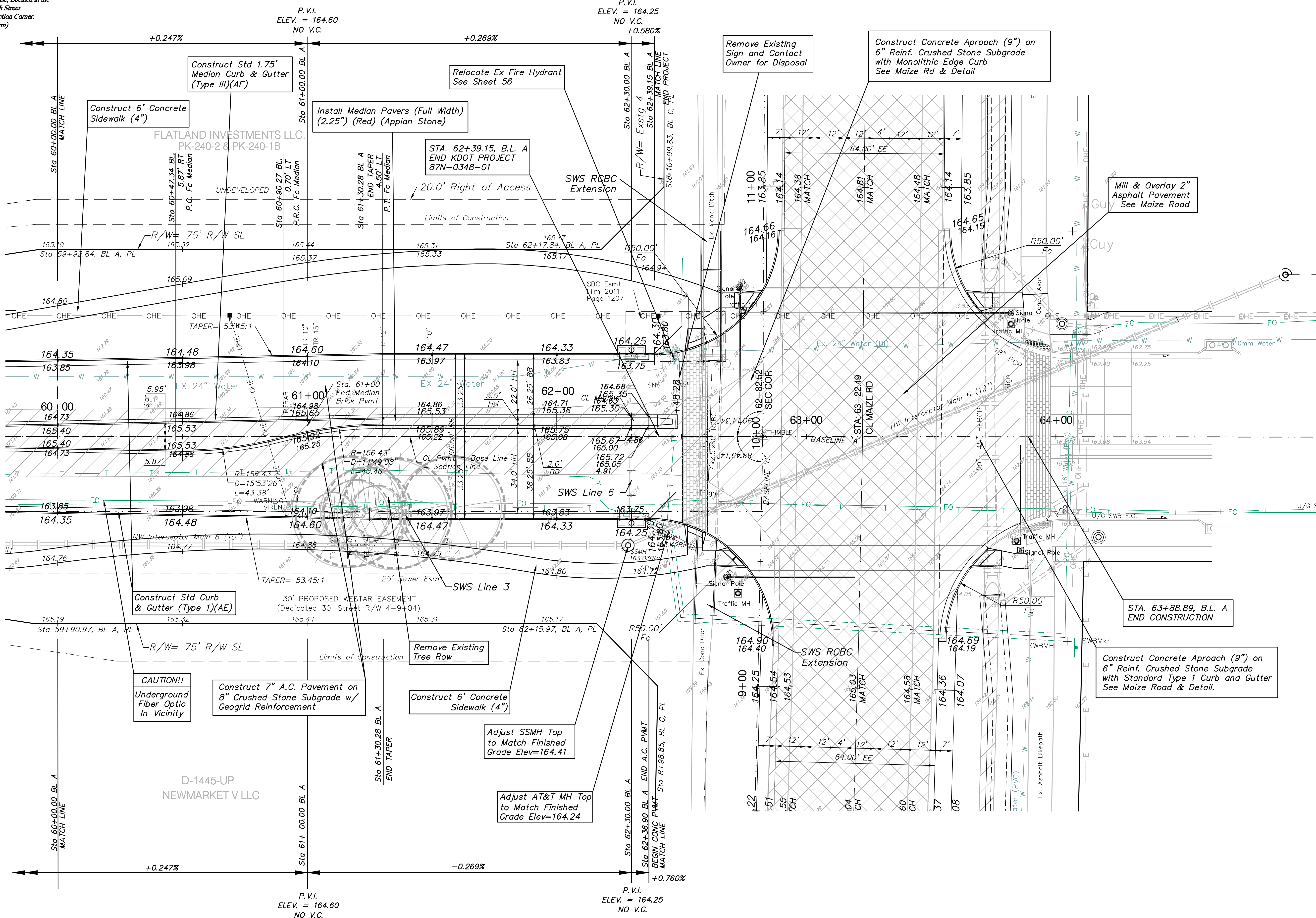
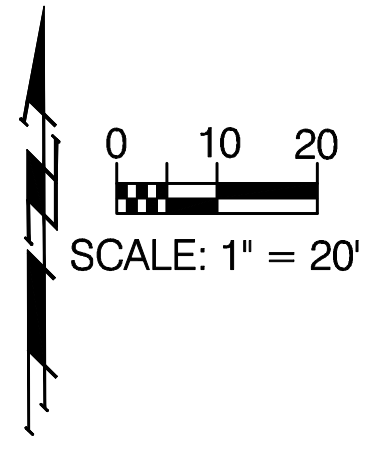


BENCHMARKS

BM#1 - City of Wichita Bench Mark Disc, Located at the Northwest Corner of Maize Road & 29th Street Intersection, approx 63.4' NW of the Section Corner. Elev. = 1349.32 MSL (161.92 City Datum)

RTWA REGION NO.	STATE	PROJECT NO.	FISCAL YEAR	SHEET NO.	TOTAL SHEETS
7	KANSAS	87N-0348-01	2007	17	135



Existing Warning Siren at Sta. 60+92.32, Rt. shall be relocated during construction. Contractor shall contact Jack Kegley with Sedgwick County EMS at 660-5968 to coordinate Relocation.

Construction Engineer shall be responsible for preserving Ex. Section Line Monument During Construction or for Resetting Monument Post Construction.

Note:
2" Mill and Overlay Section @ Maize Road is Indicated By:

Note:
Trees/Shrubs to be removed are marked thus:

Note:
Pavement, Sidewalks, and Etc. To Be Removed Are Indicated By:

Drawing File: F:\eng\29th (Maize-119th)\(Pav11)
 Design: AZIERE
 Drawn: SONNY
 Approved: JFB
 Scale: NOTED

CAPITAL IMPROVEMENT PROJECT
29th Street Paving Plan
 Sta. 60+00 to Sta. 64+00
 29th Street Paving Project - Maize Road to 119th Street

Baughman Company, P.A.
 315 Ellis St. Wichita, KS 67211 P 316-262-7271 F 316-262-0149
 ENGINEERING | SURVEYING | PLANNING | LANDSCAPE ARCHITECTURE

May 2007
 SHEET 17 OF 135