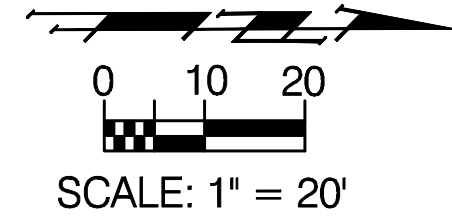
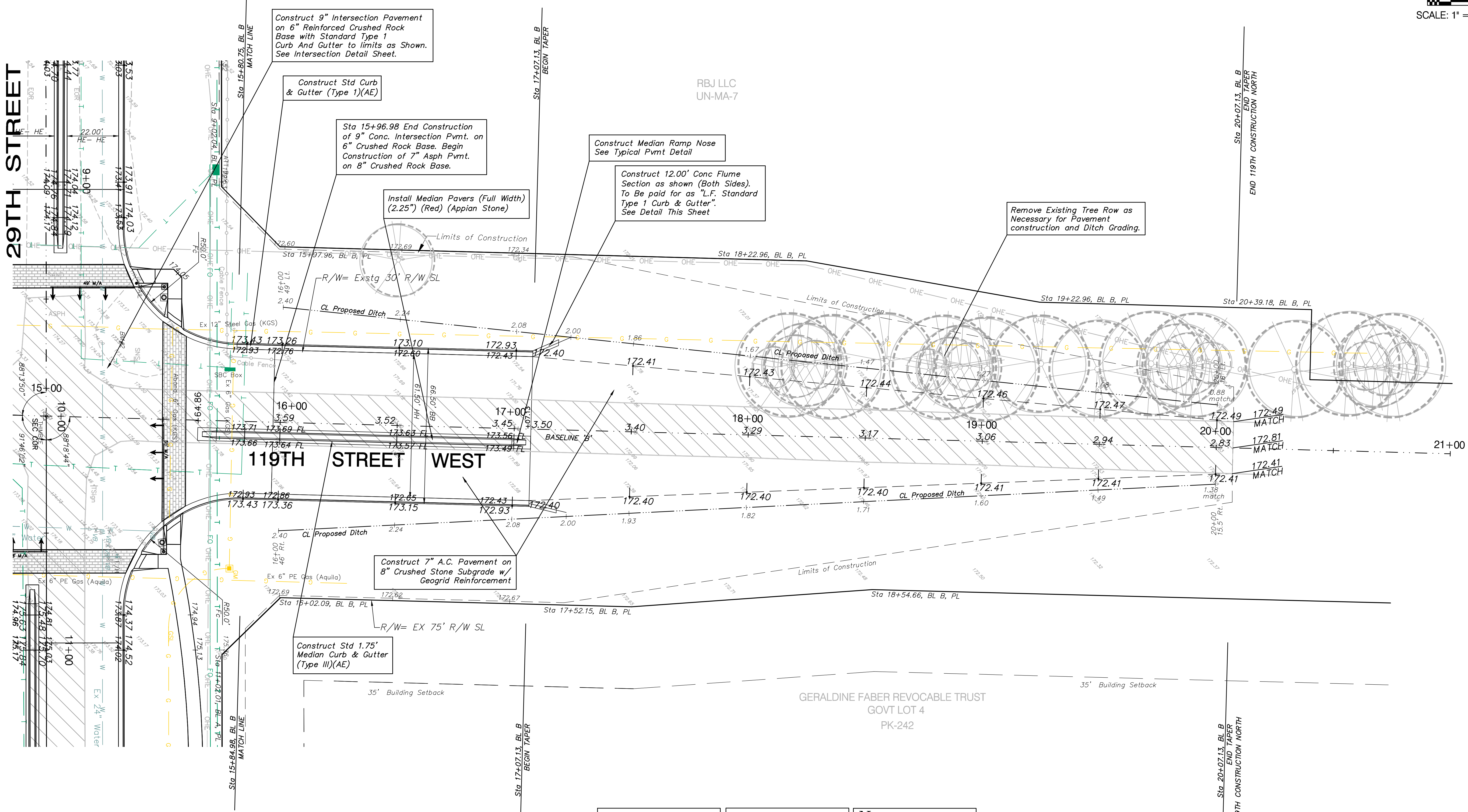


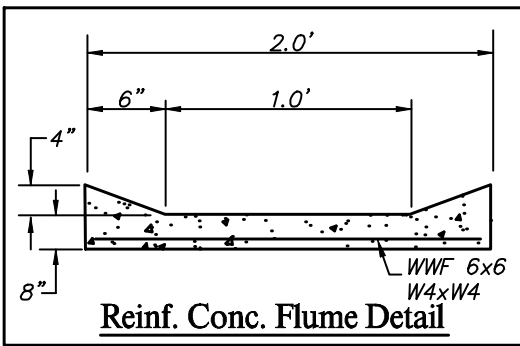
FRTWA REGION NO.	STATE	PROJECT NO.	FISCAL YEAR	SHEET NO.	TOTAL SHEETS
7	KANSAS	87N-0348-01	2007	19	135



29TH STREET



119TH STREET WEST



Note:
Trees/Shrubs to be removed are marked thus:

Note:
Pavement, Sidewalks, and Etc. To Be Removed Are Indicated By:

Drawing File: F:\eng\29th (Maine-119th)\(Pav119n)
 Design: AZIERE Project No. 0403-E828 CAPITAL IMPROVEMENT PROJECT
 Drawn: AZIERE
 Approved: JFB
 Scale: NOTED
29th Street Paving Plan
 119th Street Sta. 15+00 to Sta. 21+00
 29th Street Paving Project - Maine Road to 119th Street

Baughman Company, P.A.
 315 Ellis St. Wichita, KS 67211 P 316-262-7271 F 316-262-0149
 ENGINEERING | SURVEYING | PLANNING | LANDSCAPE ARCHITECTURE

May 2007
 SHEET 19 OF 135