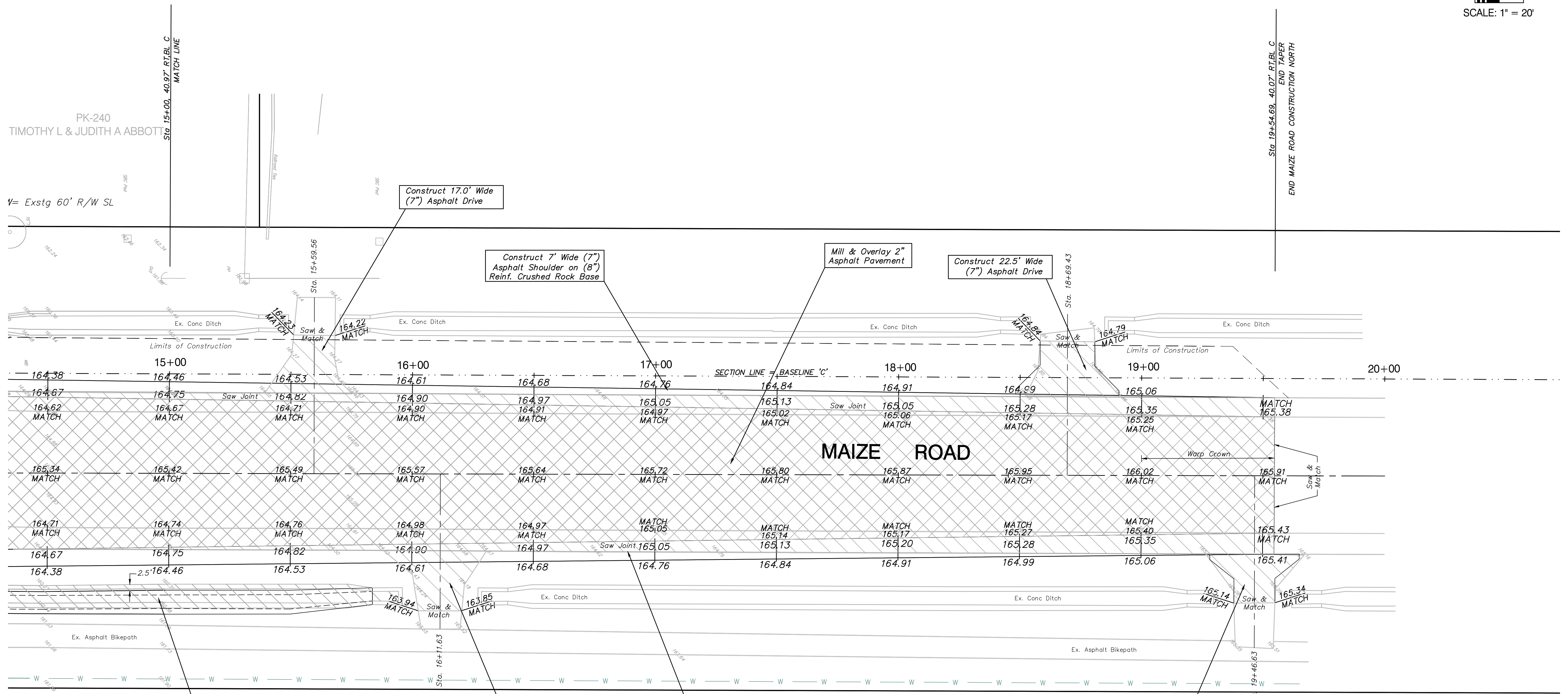
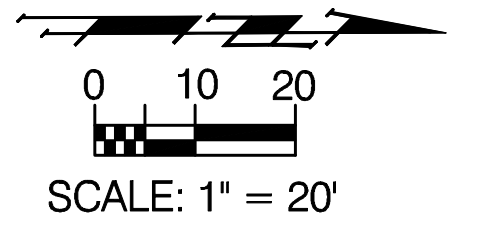
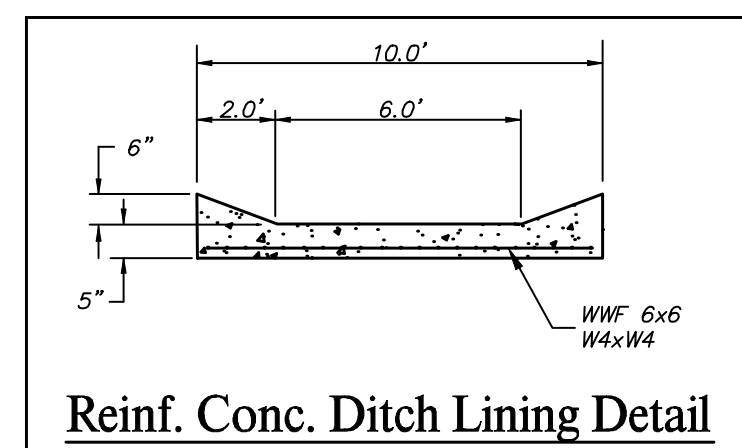


| PRWA REGION NO. | STATE  | PROJECT NO. | FISCAL YEAR | SHEET NO. | TOTAL SHEETS |
|-----------------|--------|-------------|-------------|-----------|--------------|
| 7               | KANSAS | 87N-0348-01 | 2007        | 22        | 135          |



Remove and Relocate Ex. 5" Conc. Ditch Section Per Detail this Sheet.



**Note:**  
2" Mill and Overlay Section @ Maize Road is Indicated By:

**Note:**  
Trees/Shrubs to be removed are marked thus:

**Note:**  
Pavement, Sidewalks, and Etc. To Be Removed Are Indicated By:

Drawing File: F:\eng\29th (Maize-119th)\(PavMaize3)  
 Design: AZIERE Project No. 0403-E828 CAPITAL IMPROVEMENT PROJECT  
 Drawn: AZIERE  
 Approved: JFB  
 Scale: NOTED  
 29th Street Paving Project - Maize Road to 119th Street  
 Maize Road Sta. 15+00 to Sta. 20+00