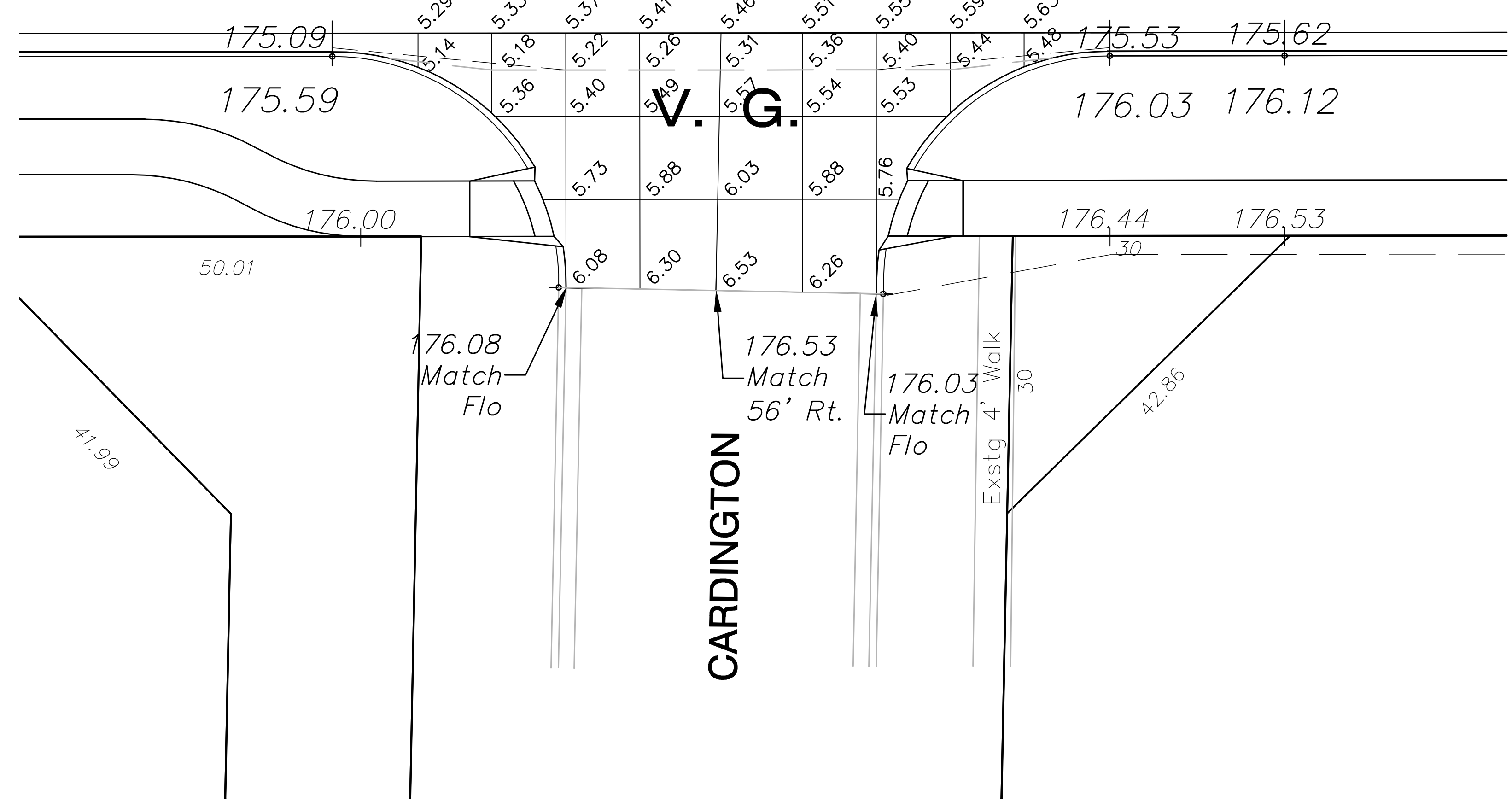
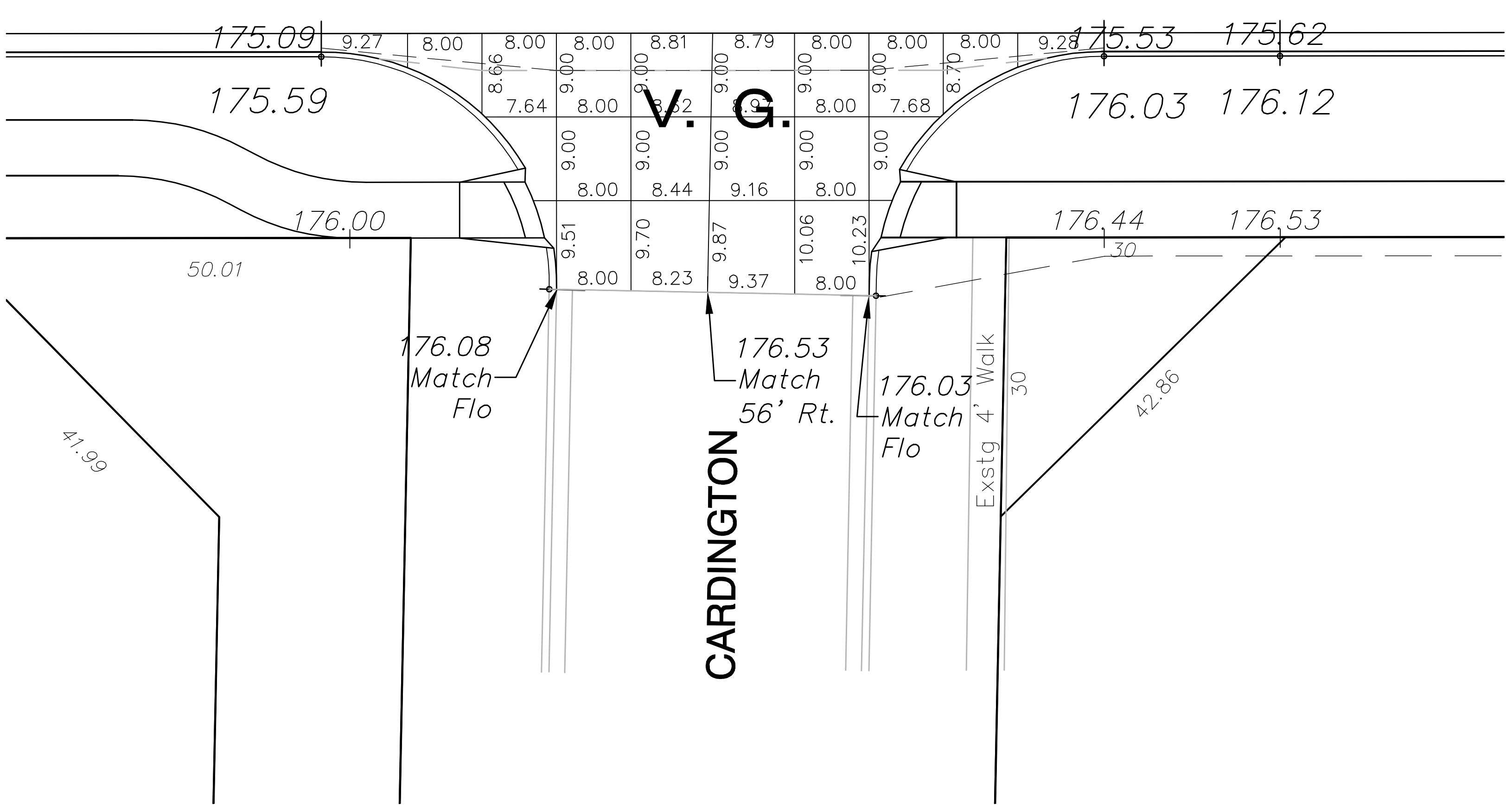
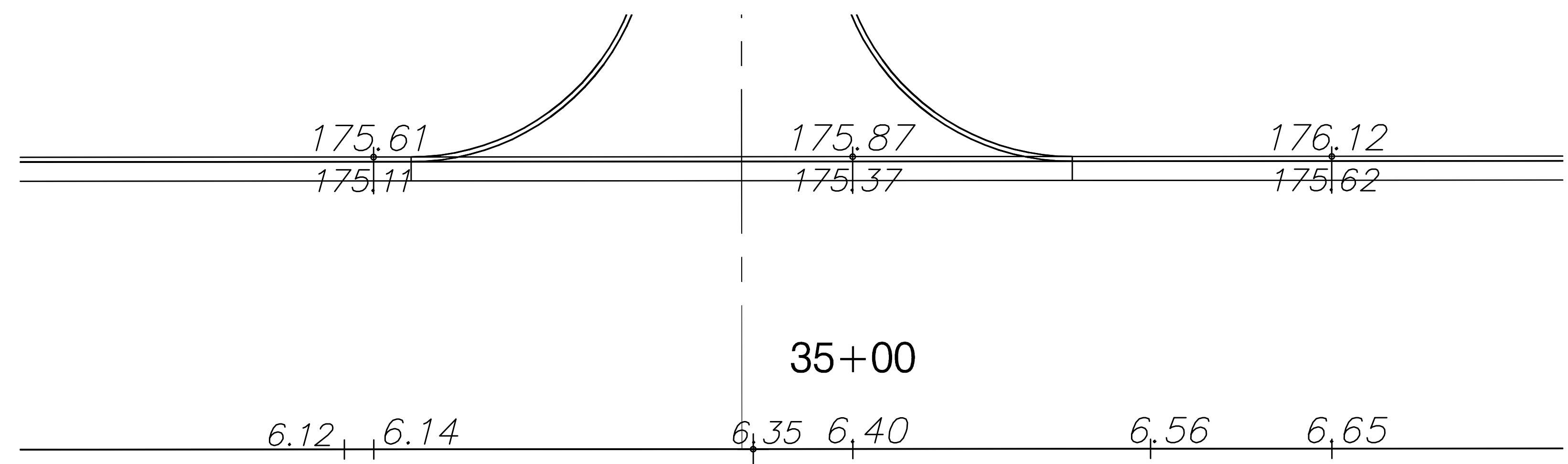
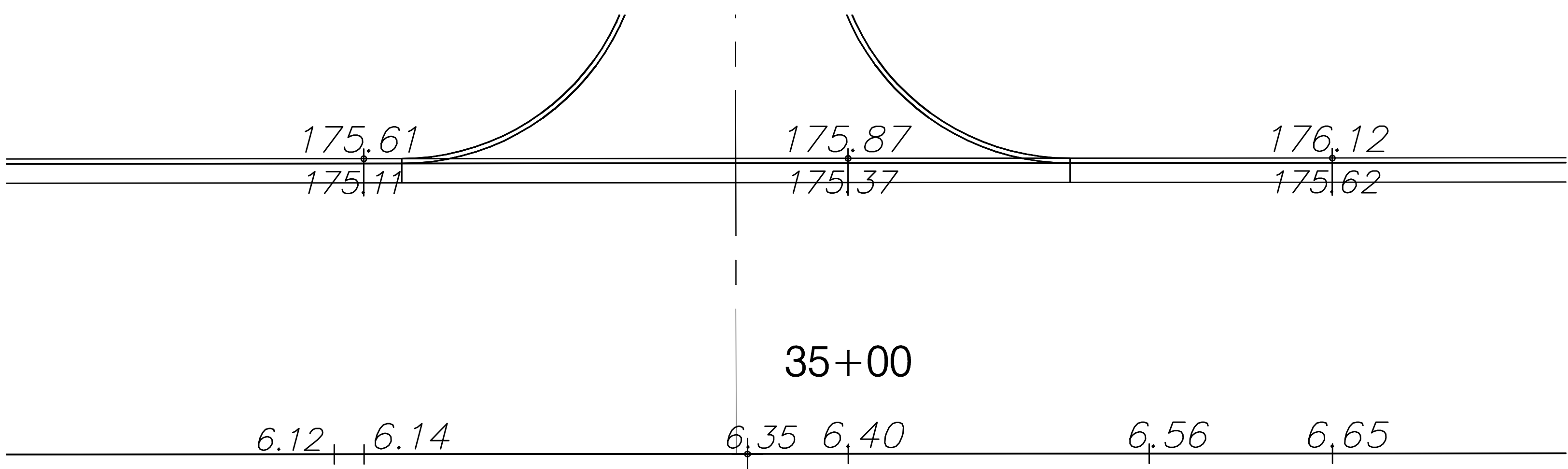
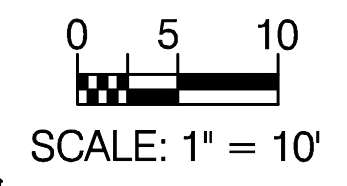


FWA REGION NO.	STATE	PROJECT NO.	FISCAL YEAR	SHEET NO.	TOTAL SHEETS
7	KANSAS	87N-0348-01	2007	25	135



Drawing File: F:\eng\29th (Maine-119th)\(VALLEY GUTTER)

Design: AZIERE
 Drawn: AZIERE
 Approved: JFB
 Scale: NOTED

Project No. 0403-E828 CAPITAL IMPROVEMENT PROJECT
CARDINGTON
 VALLEY GUTTER DETAILS
 29th Street Paving Project - Maine Road to 119th Street

B **Baughman Company, P.A.**
 315 Ellis St. Wichita, KS 67211 P 316-262-7271 F 316-262-0149
 ENGINEERING | SURVEYING | PLANNING | LANDSCAPE ARCHITECTURE

May, 2007
 SHEET
25
 OF
135