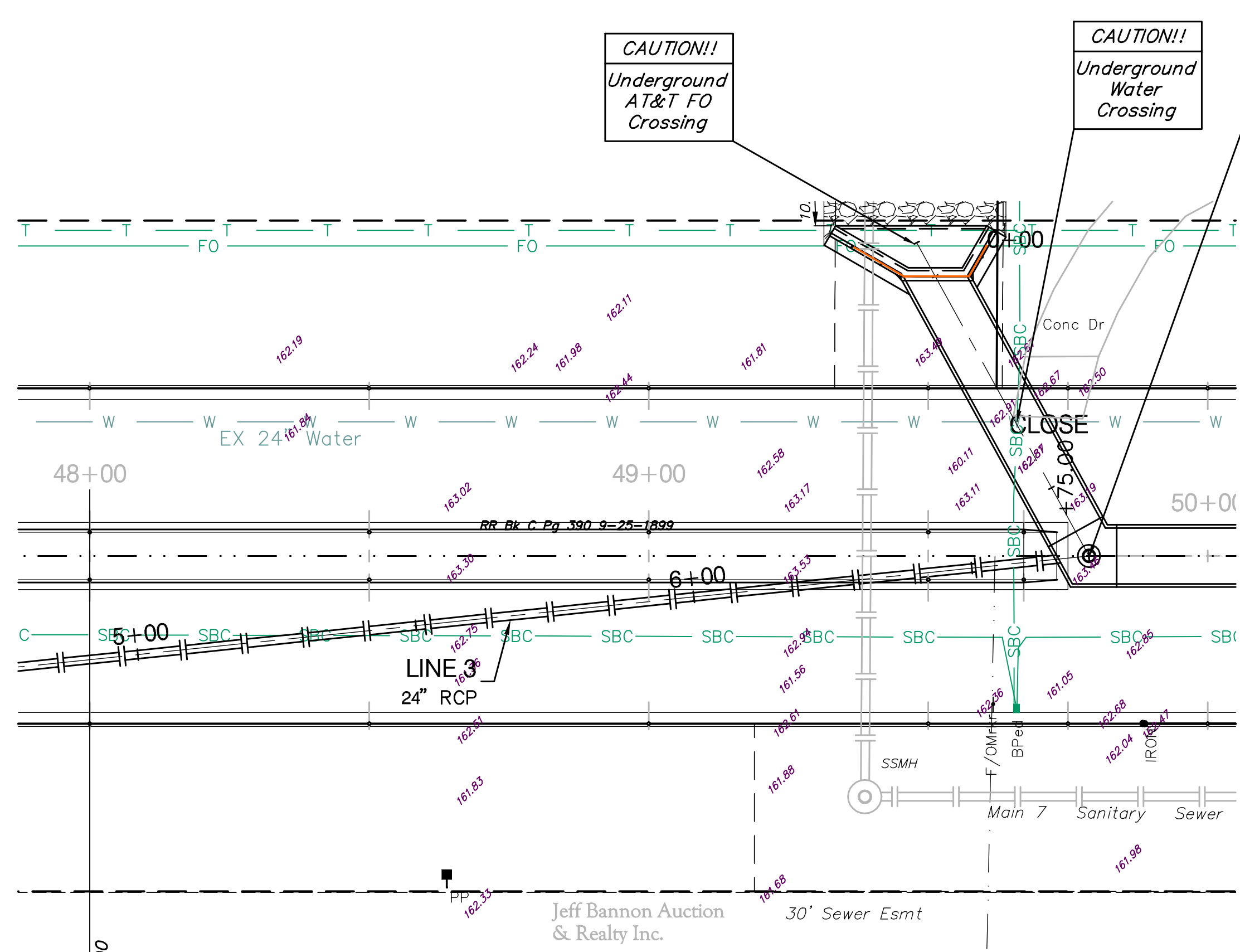


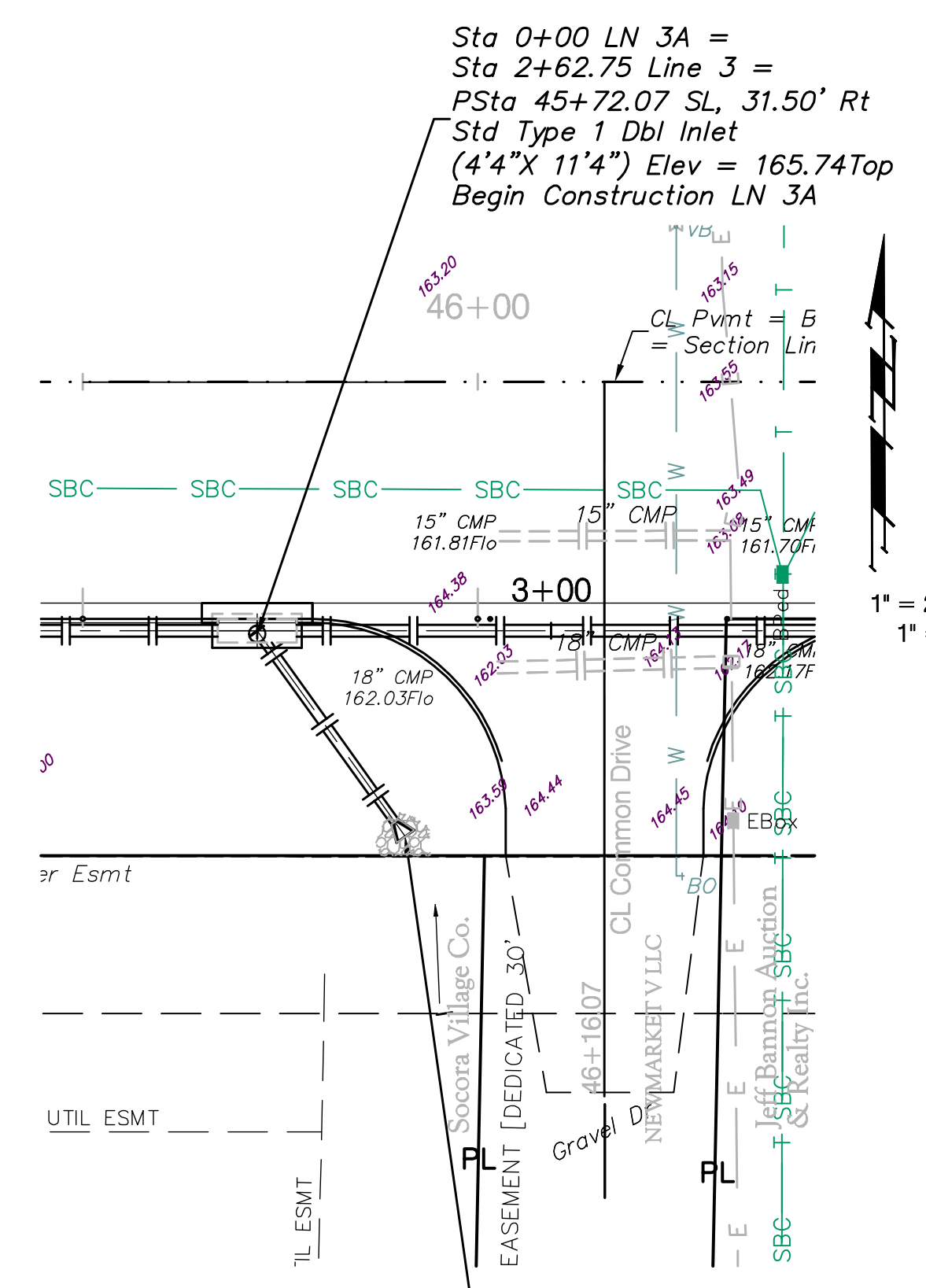
PRWA REGION NO.	STATE	PROJECT NO.	FISCAL YEAR	SHEET NO.	TOTAL SHEETS
7	KANSAS	87N-0348-01	2007	35	135



Sta 6+71.06 Line 3 =
Sta 0+63.91 RCBC 1 =
PSta 49+78.75 SL
Connect to Proposed 10'X4' RCBC
Seal and Grout as Required.
Flo Elev = 160.60 24" W
Flo Elev = 160.28 RCBC 1 E
END CONSTRUCTION Line 3

SCALE:
1" = 20' HORIZONTAL
1" = 5' VERTICAL

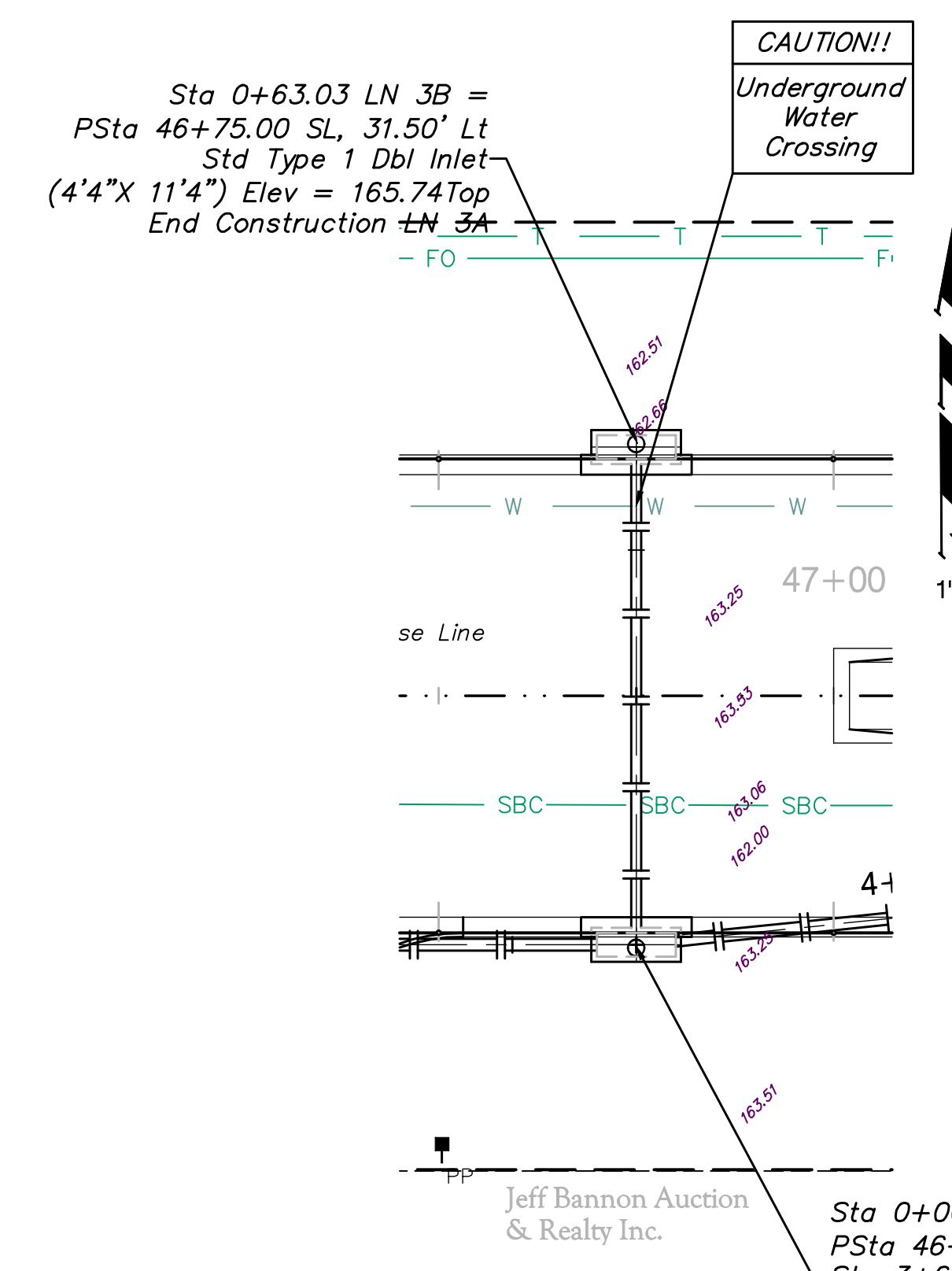
NOTE: Contractor to use caution during excavation on this Project. Multiple Underground Utilities parallel and cross New Construction. Underground Utilities are shown located according to the best information available at the time of drawing. Contractor to FIELD VERIFY exact locations and depths PRIOR TO Construction on this Project.



Sta 0+00 LN 3A =
Sta 2+62.75 Line 3 =
PSta 45+72.07 SL, 31.50' Rt
Std Type 1 Dbl Inlet
(4'4"X 11'4") Elev = 165.74Top
Begin Construction LN 3A

SCALE:
1" = 20' HORIZONTAL
1" = 5' VERTICAL

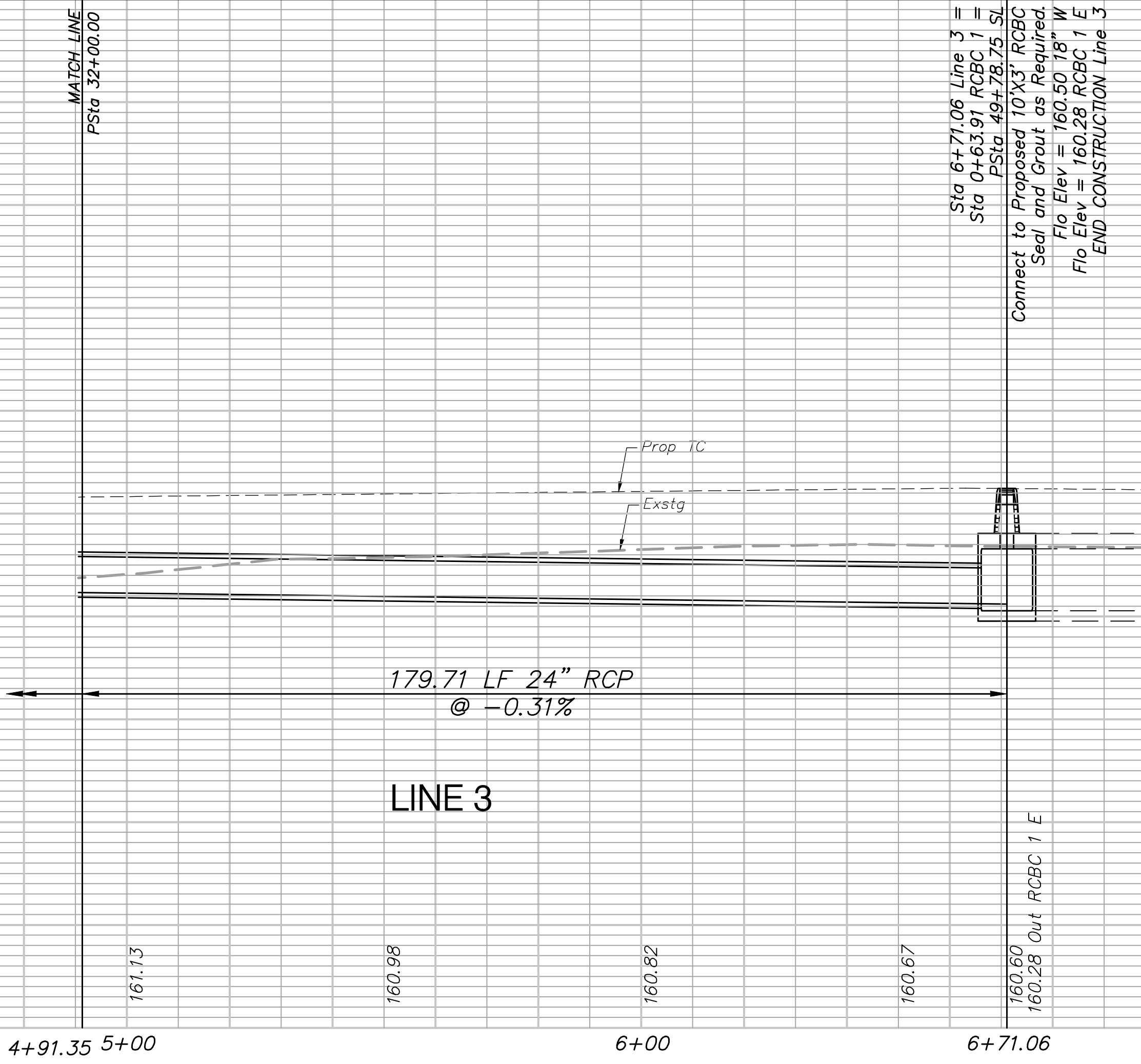
Sta 0+32.10 LN 3A =
PSta 45+90.94 SL, 57.48' Rt
Install 15" End Section w/
4 S.Y. Light Stone Rip Rap
End Construction 15" RCP
LINE 3A. Grade Ex. Ditch South to Match



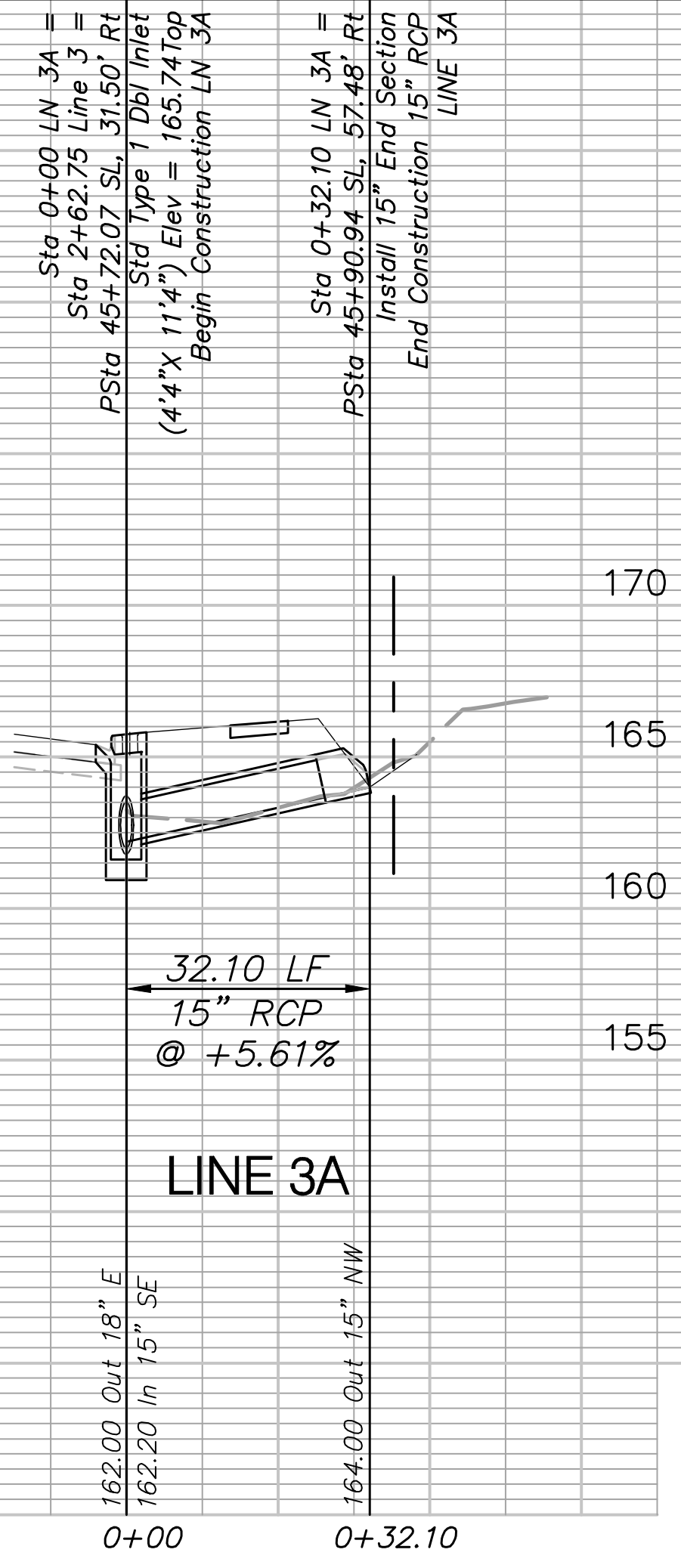
Sta 0+63.03 LN 3B =
PSta 46+75.00 SL, 31.50' Lt
Std Type 1 Dbl Inlet
(4'4"X 11'4") Elev = 165.74Top
End Construction LN 3B

SCALE:
1" = 20' HORIZONTAL
1" = 5' VERTICAL

Sta 0+00 LN 3B =
PSta 46+75.00 SL, 31.5' Rt =
Sta 3+65.68 Ln 3
Begin Construction 15" RCP
LINE 3B

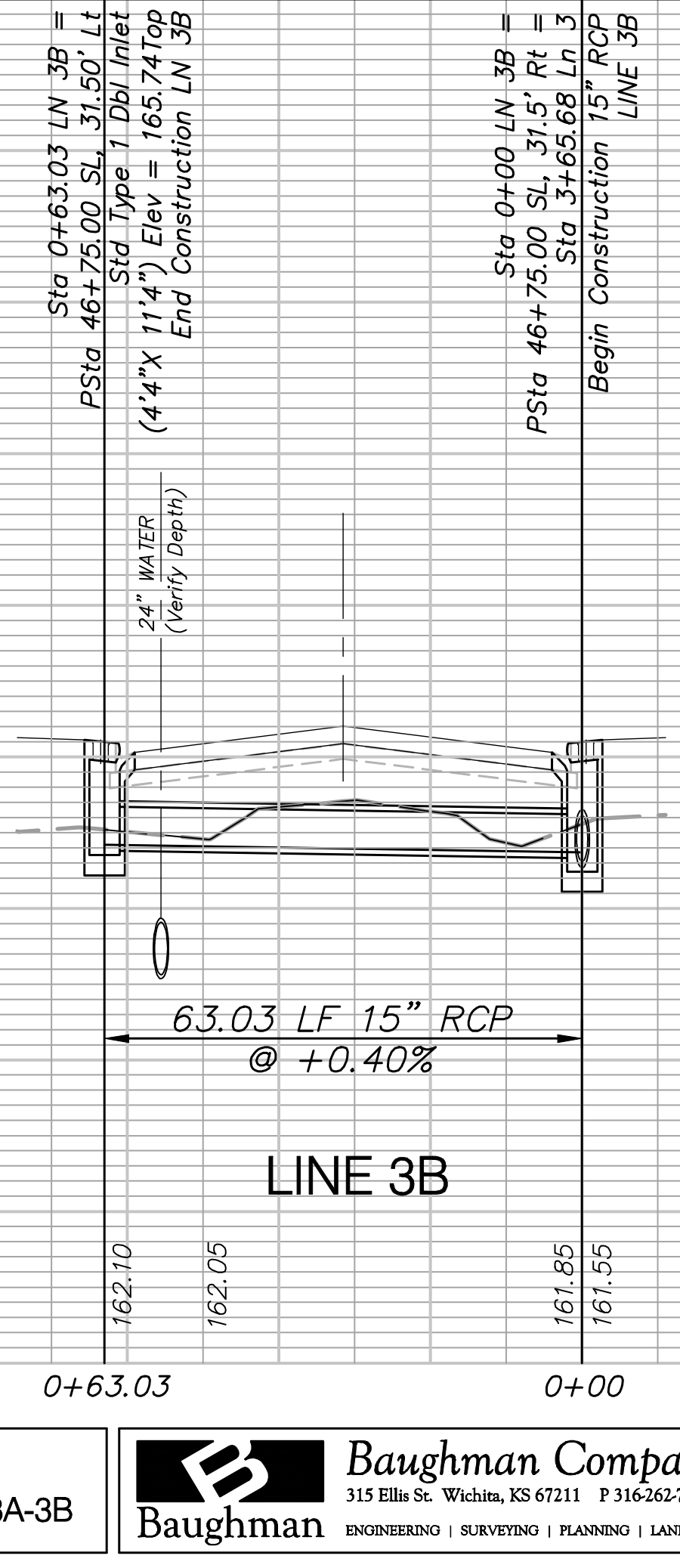


Sta 6+71.06 Line 3 =
Sta 0+63.91 RCBC 1 =
PSta 49+78.75 SL
Connect to Proposed 10'X4' RCBC
Seal and Grout as Required.
Flo Elev = 160.50 18" W
Flo Elev = 160.28 RCBC 1 E
END CONSTRUCTION Line 3



Sta 0+00 LN 3A =
Sta 2+62.75 Line 3 =
PSta 45+72.07 SL, 31.50' Rt
Std Type 1 Dbl Inlet
(4'4"X 11'4") Elev = 165.74Top
Begin Construction LN 3A

Sta 0+32.10 LN 3A =
PSta 45+90.94 SL, 57.48' Rt
Install 15" End Section
End Construction 15" RCP
LINE 3A



Sta 0+63.03 LN 3B =
PSta 46+75.00 SL, 31.50' Lt
Std Type 1 Dbl Inlet
(4'4"X 11'4") Elev = 165.74Top
End Construction LN 3B

Sta 0+00 LN 3B =
PSta 46+75.00 SL, 31.5' Rt =
Sta 3+65.68 Ln 3
Begin Construction 15" RCP
LINE 3B

Drawing File:
Design: AZIERE
Drawn: staff
Approved:
Scale: 20h:5v

Project No. 0403-E828 CAPITAL IMPROVEMENT PROJECT
29TH ST STORM WATER SEWER
Sta 5+00 to Sta 6+71.06 Line 3, Lines 3A-3B

Baughman Company, P.A.
315 Ellis St. Wichita, KS 67211 P 316-262-7271 F 316-262-0149
ENGINEERING | SURVEYING | PLANNING | LANDSCAPE ARCHITECTURE

MARCH, 2007
SHEET
OF
35
135