

CENTRAL AVENUE - TYLER to WOODCHUCK

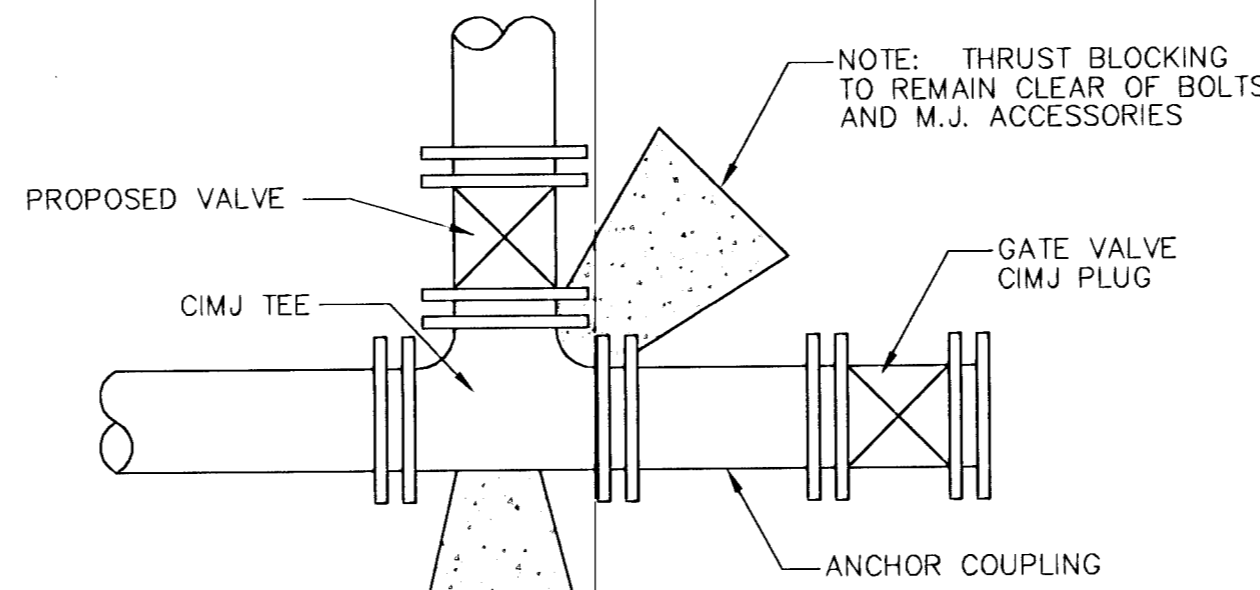
Fire Hydrant Relocations

GENERAL NOTES:

- Opening and closing of water valves shall be done slowly to prevent damage to the water distribution system from water hammer. All valves closed by the Contractor must be reopened as new construction permits. Project Inspector must ascertain that any valve closed by the Contractor is reopened. Contractor will be permitted to operate water valves only when the Project Inspector assigned to the project is present.
- All water mains and appurtenances shall be installed in accordance with City of Wichita, Kansas Standard Specifications for Water Main Installations No. 145.33.
- Where water valves are shown to be adjusted, the work shall include only the adjustment of water valve box to be the finished grade as shown or as directed by the Engineer. At locations where available adjustment is insufficient to match designs grade, the Contractor shall notify Joe Botinelli at Wichita Water Dept. @ 268-4908 and obtain or coordinate placement of a new valve box capable of meeting final grade.
- Contractor to coordinate water line shutdown with business owners and City of Wichita Water Department.

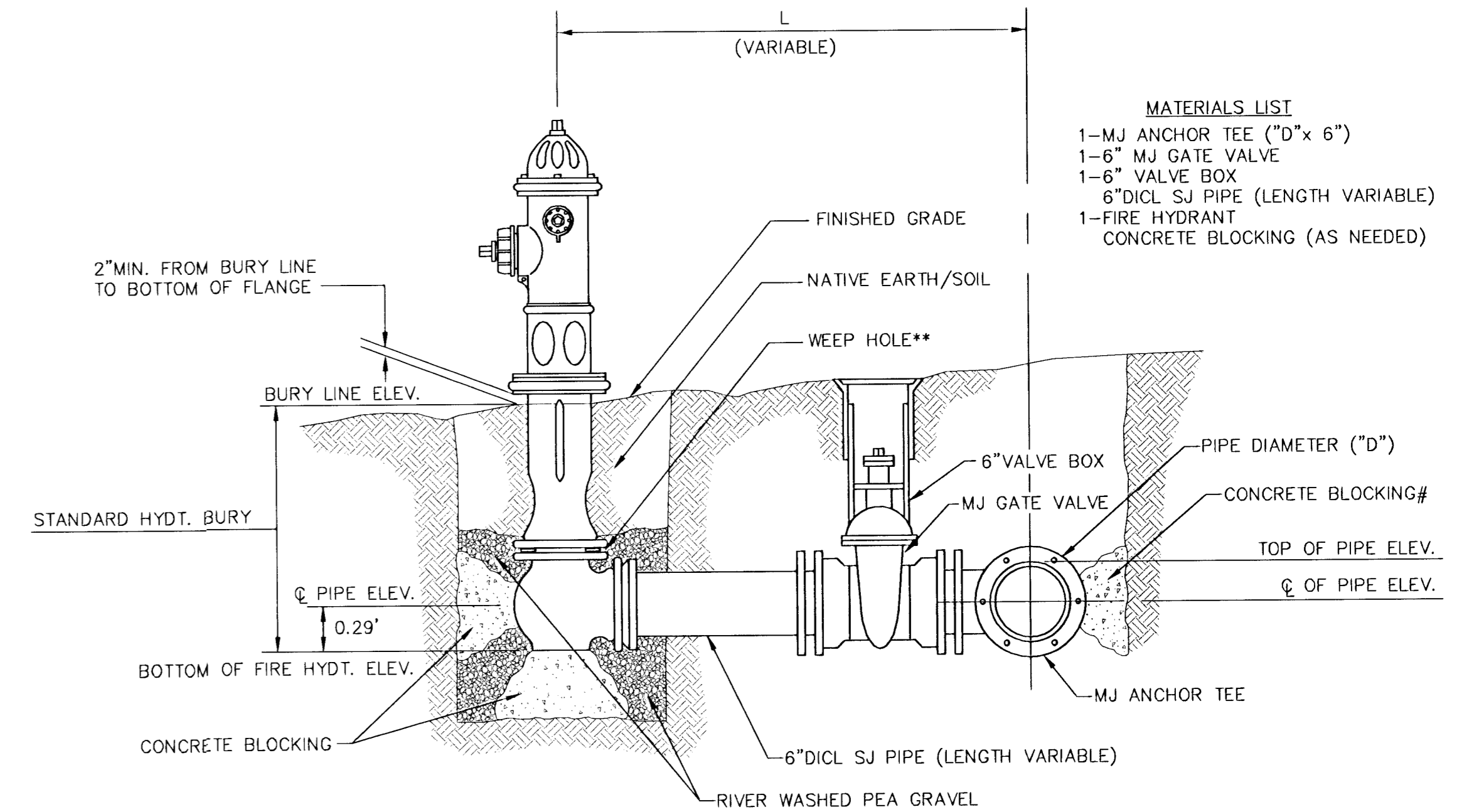
BENCHMARKS:

- BM#1 - "□" Cut at West End of Median, SE of Central Avenue & Tyler Road, 5.92'± South and 47.85'± East of Centerline of Both. Sta. 10+47.85 Elev. = 145.75 (City Datum)
- BM#3 - "□" Cut at SE Corner, Lot 4, Tyler Acres 5th Addition, NW of Central Avenue & Socora Lane, 65.10'± North and 34.94'± West of Centerline of Both. Sta. 28+81.30 Elev. = 148.79 (City Datum)



KEY BLOCK DETAIL

- CAUTION! WEEP HOLES TO BE KEPT CLEAR DURING CONSTRUCTION AND BACKFILL. CONCRETE FOR THRUST BLOCKING SHALL NOT OBSTRUCT WEEP HOLES.
- CONCRETE THRUST BLOCKING SHALL BE KEPT CLEAR OF BOLTS, NUTS, AND MJ ACCESSORIES.
- IF HYDRANT BURY IS IN EXCESS OF 5', CONTRACTOR SHALL USE STANDARD 5' HYDRANT BURY AND HYDRANT BARREL EXTENSIONS AS NECESSARY.

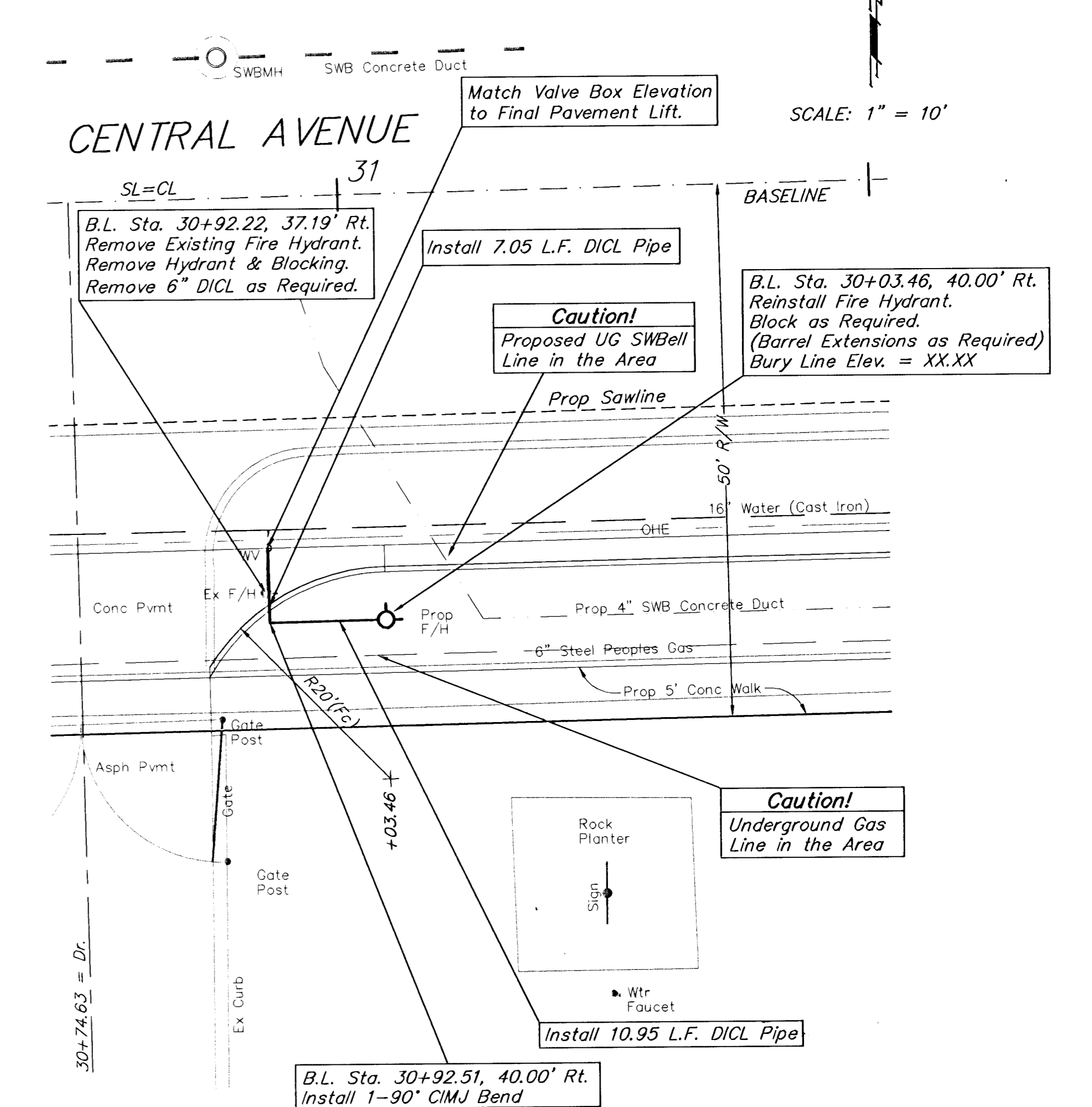
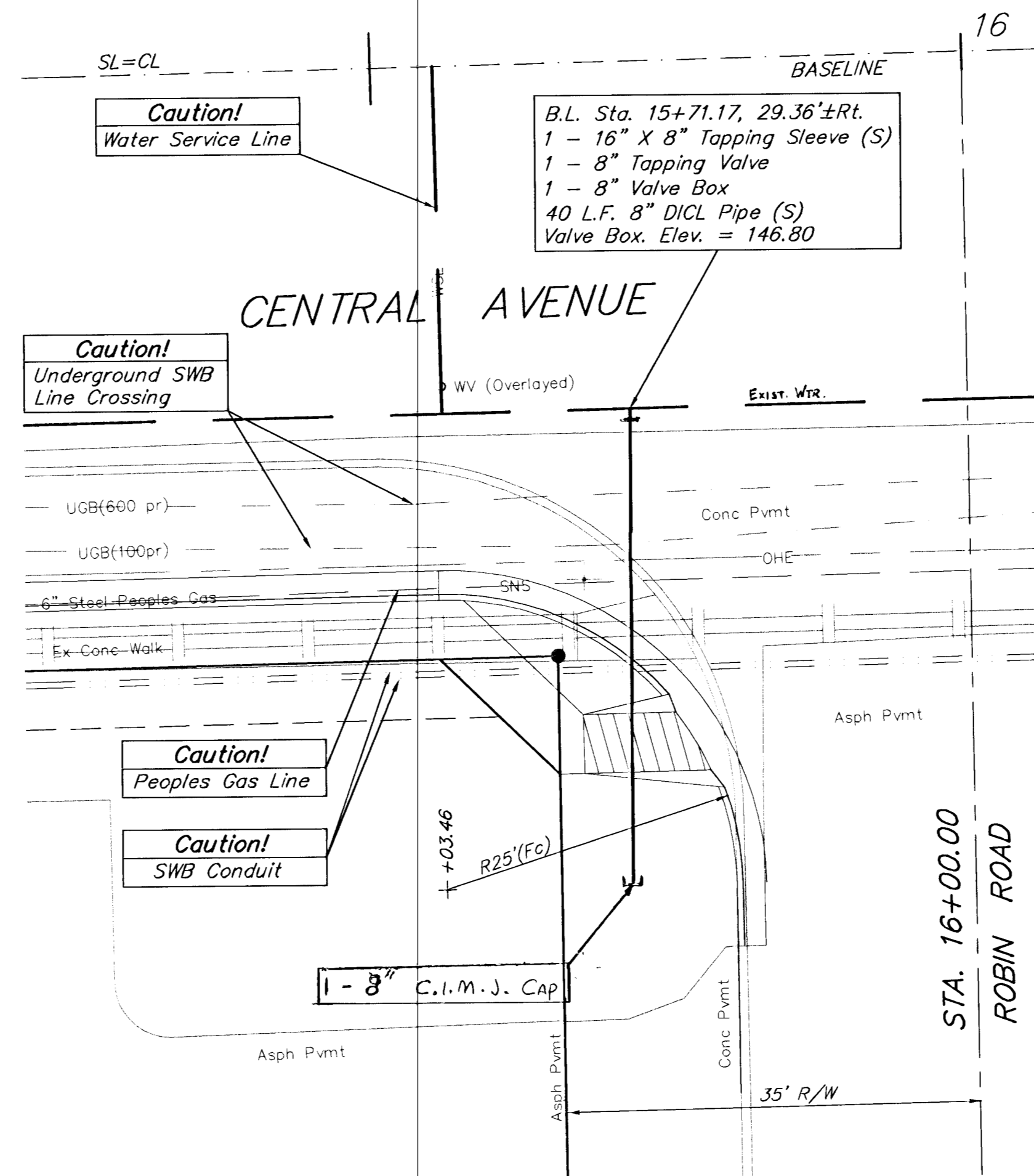
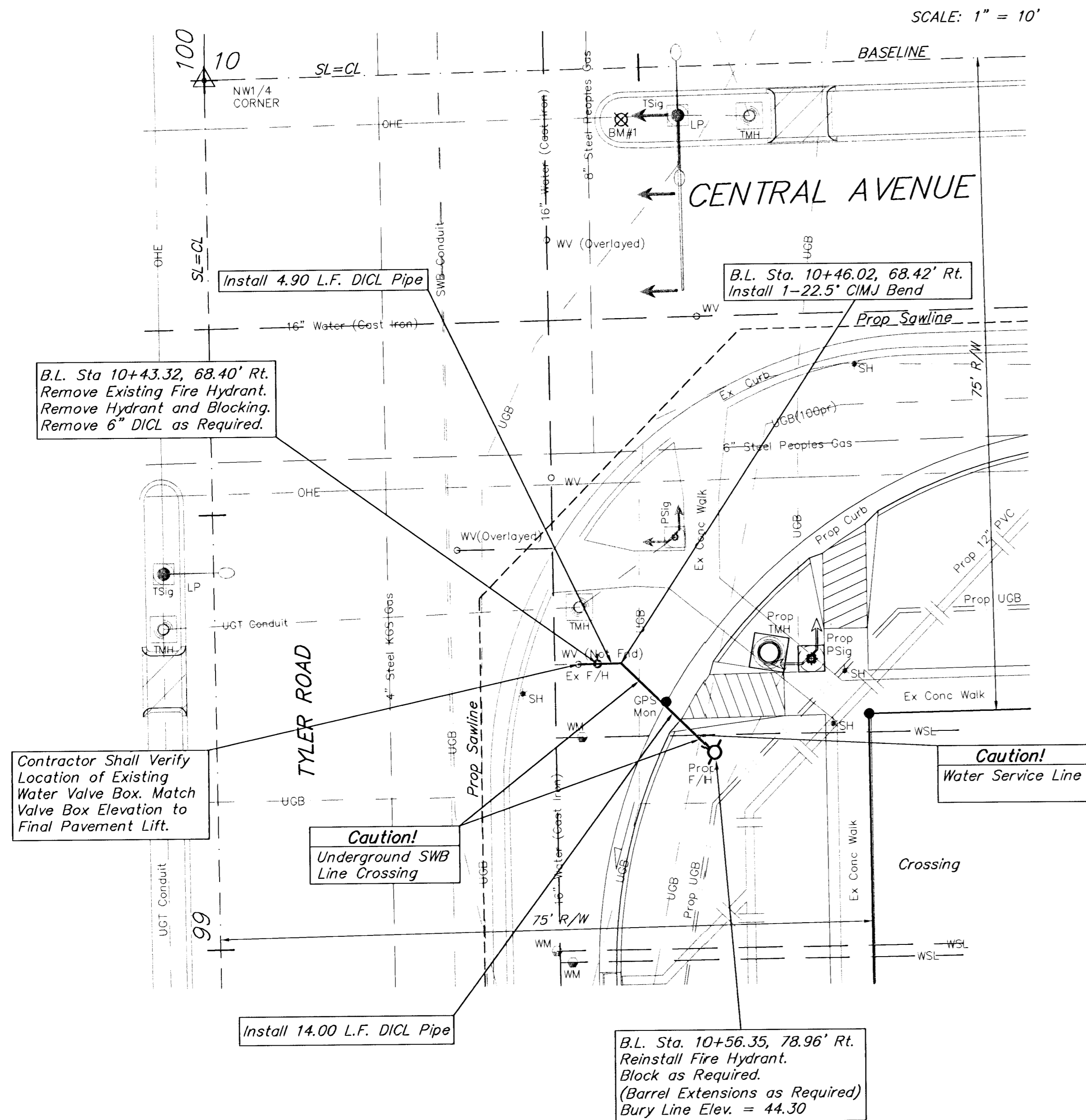


FIRE HYDRANT ASSEMBLY

PER CITY OF WICHITA SPECIFICATIONS

RELOCATE EXISTING FIRE HYDRANTS
BARREL EXTENSIONS AS REQUIRED

- MATERIALS LIST
- 1-MJ ANCHOR TEE ("D"x 6")
 - 1-6" MJ GATE VALVE
 - 1-6" VALVE BOX
 - 6" DICL SJ PIPE (LENGTH VARIABLE)
 - 1-FIRE HYDRANT
 - CONCRETE BLOCKING (AS NEEDED)



PROJECT NUMBER City Of Wichita			SHEET NAME WTR01		ENGINEERING DIRECTORY F:\CENTRAL\WTR	
DESIGN JFB/JMN	DRAWN TPV/KWR	APPROVED	DATE FEB 2002	SCALE NOTED	BAUGHMAN NO 99-09-E463	
CAPITAL IMPROVEMENT PROJECT FIRE HYDRANT RELOCATIONS CENTRAL AVENUE - TYLER TO WOODCHUCK					BAUGHMAN COMPANY, P.A. ENGINEERING, SURVEYING, & PLANNING 318-262-7271 • 315 ELLIS • WICHITA, KANSAS 67211	