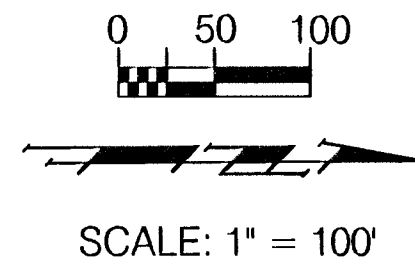
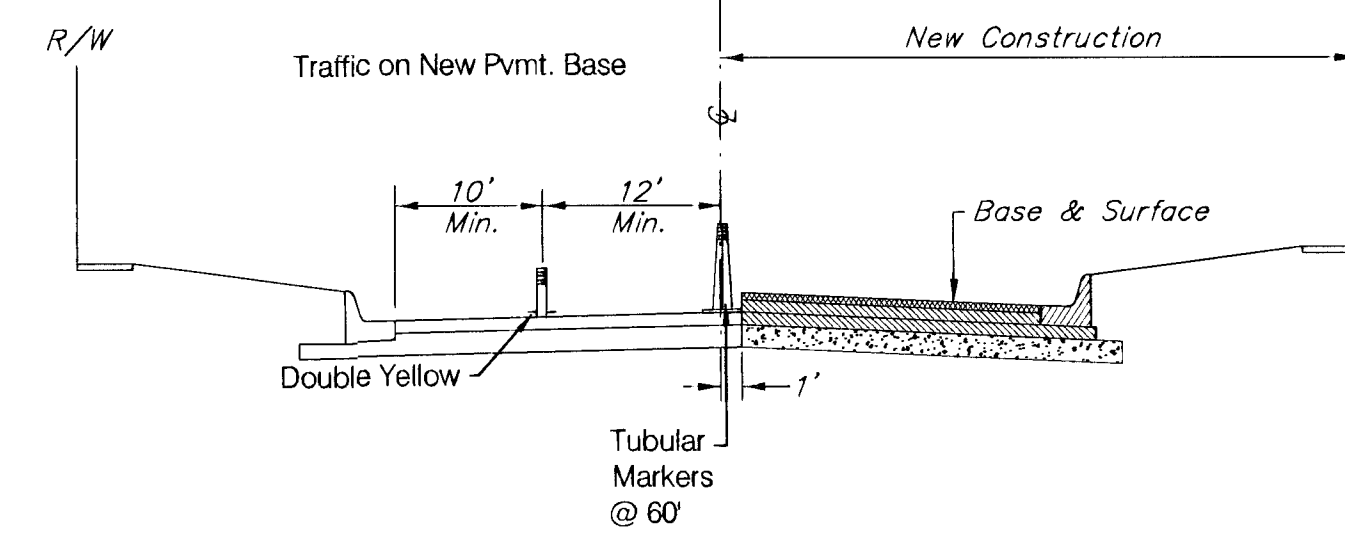
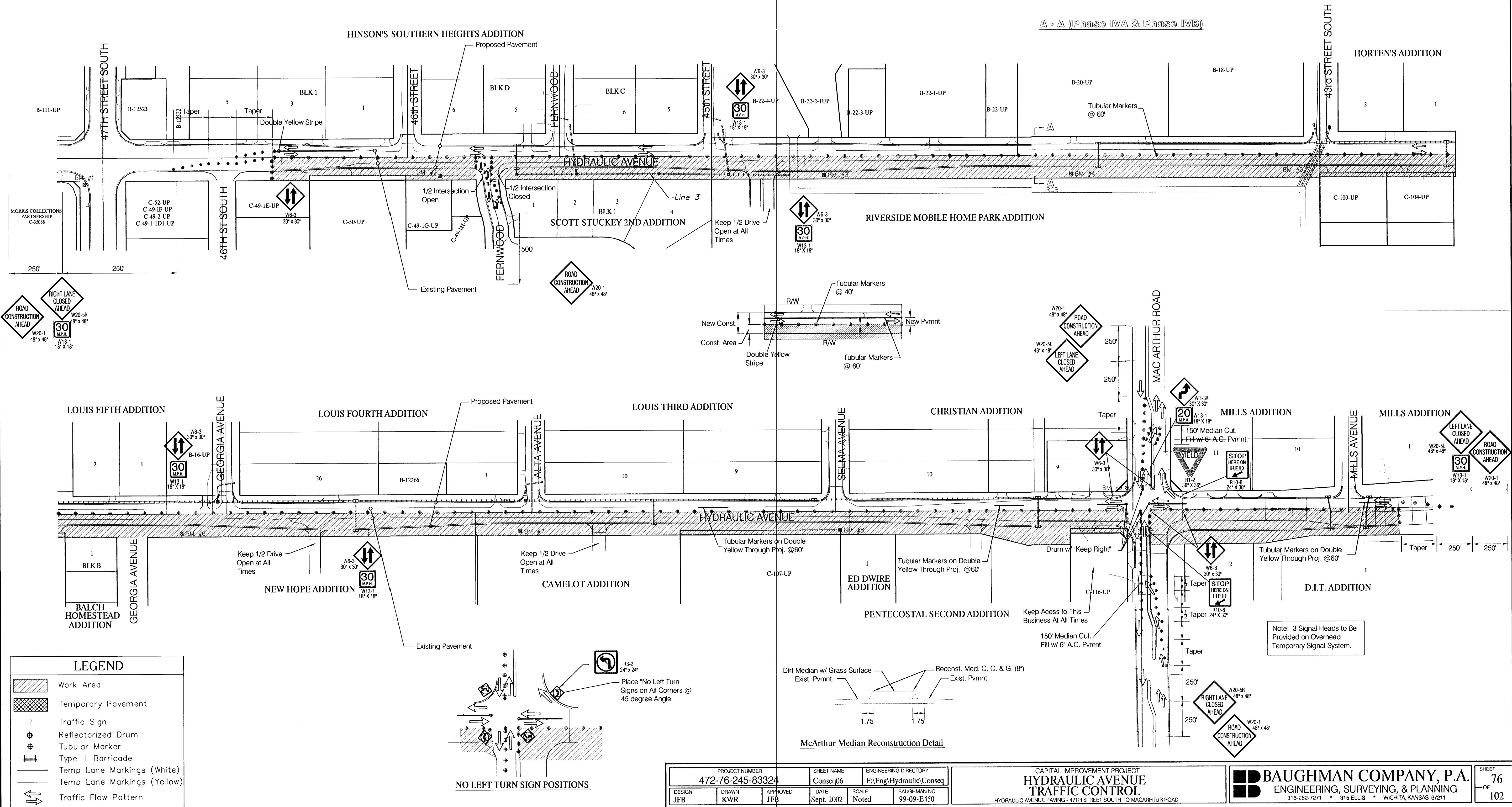


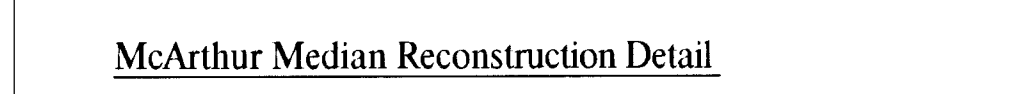
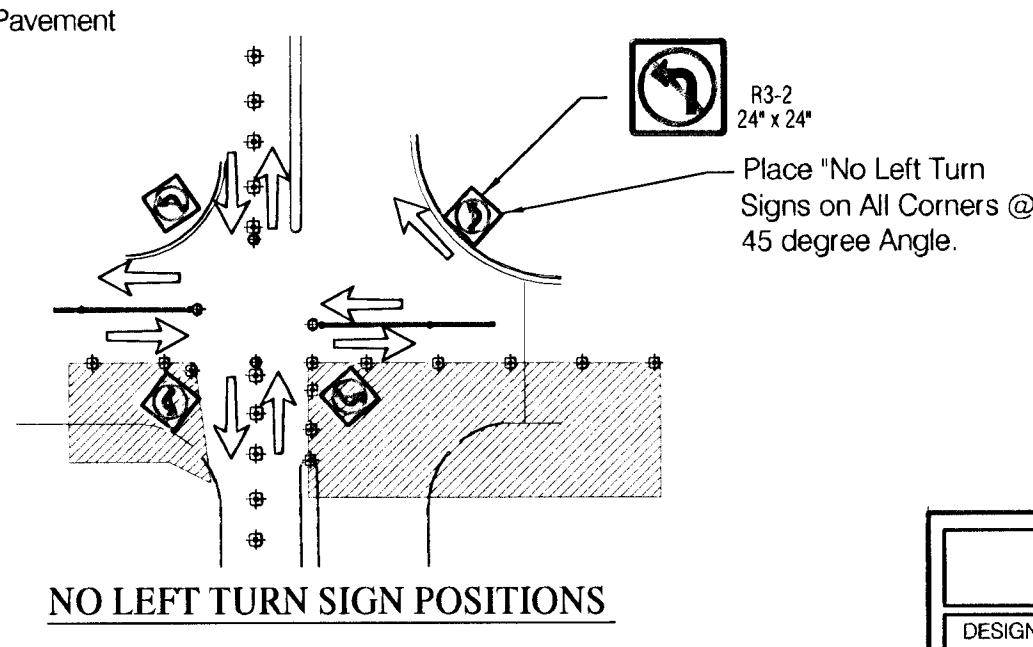
# Phase IV B



A - A (Phase IVA & Phase IVB)



LEGEND	
	Work Area
	Temporary Pavement
	Traffic Sign
	Reflectorized Drum
	Tubular Marker
	Type III Barricade
	Temp Lane Markings (White)
	Temp Lane Markings (Yellow)
	Traffic Flow Pattern



PROJECT NUMBER 472-76-245-83324		SHEET NAME Conseq06		ENGINEERING DIRECTORY F:\Eng\Hydraulic\Conseq	
DESIGN JFB	DRAWN KWR	APPROVED JFB	DATE Sept. 2002	SCALE Noted	BAUGHMAN NO 99-09-E450

CAPITAL IMPROVEMENT PROJECT  
**HYDRAULIC AVENUE**  
TRAFFIC CONTROL  
HYDRAULIC AVENUE PAVING - 47TH STREET SOUTH TO MACARTHUR ROAD

**BAUGHMAN COMPANY, P.A.**  
ENGINEERING, SURVEYING, & PLANNING  
316-282-7271 • 315 ELLIS • WICHITA, KANSAS 67211