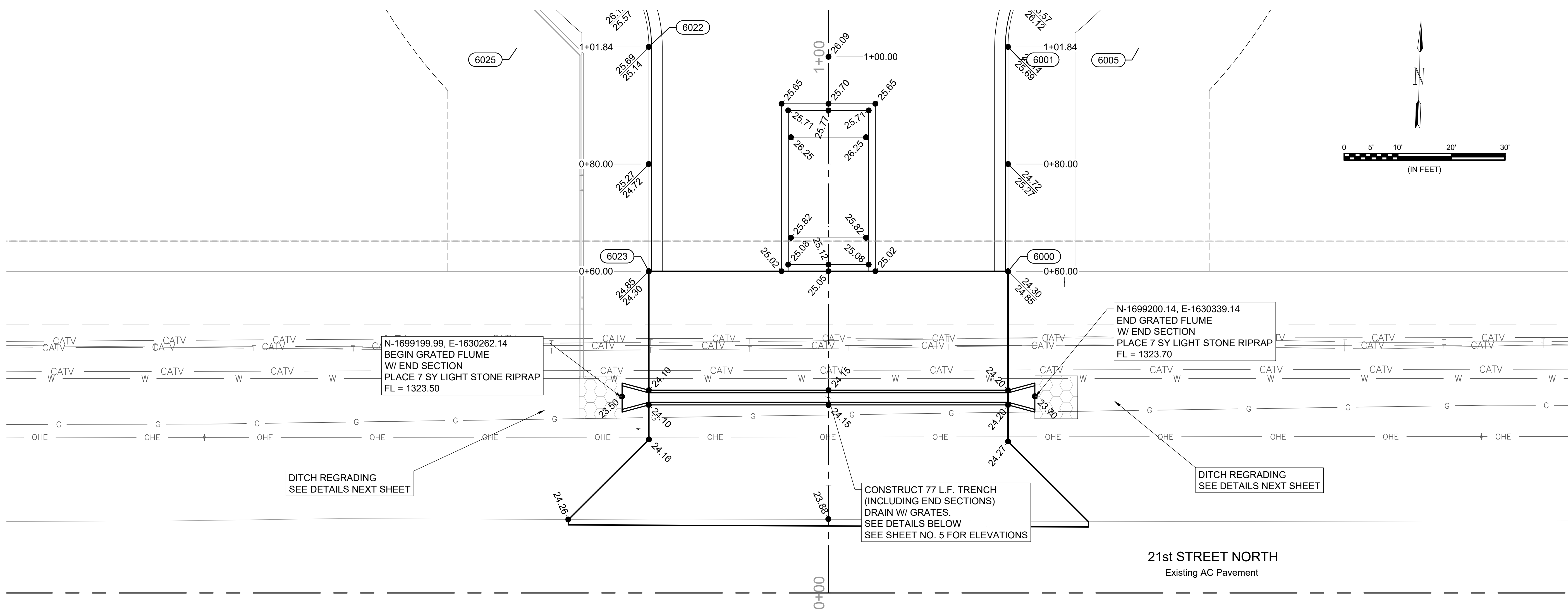




© 2020 GARVER, LLC
 THIS DOCUMENT, ALONG WITH THE IDEAS AND DESIGNS CONVEYED HEREIN, SHALL BE CONSIDERED INSTRUMENTS OF PROFESSIONAL SERVICE AND ARE PROPERTY OF GARVER, LLC. ANY USE, REPRODUCTION, OR DISTRIBUTION OF THIS DOCUMENT, ALONG WITH THE IDEAS AND DESIGN CONTAINED HEREIN, IS PROHIBITED UNLESS AUTHORIZED IN WRITING BY GARVER, LLC OR EXPLICITLY ALLOWED IN THE GOVERNING PROFESSIONAL SERVICES AGREEMENT FOR THIS WORK.

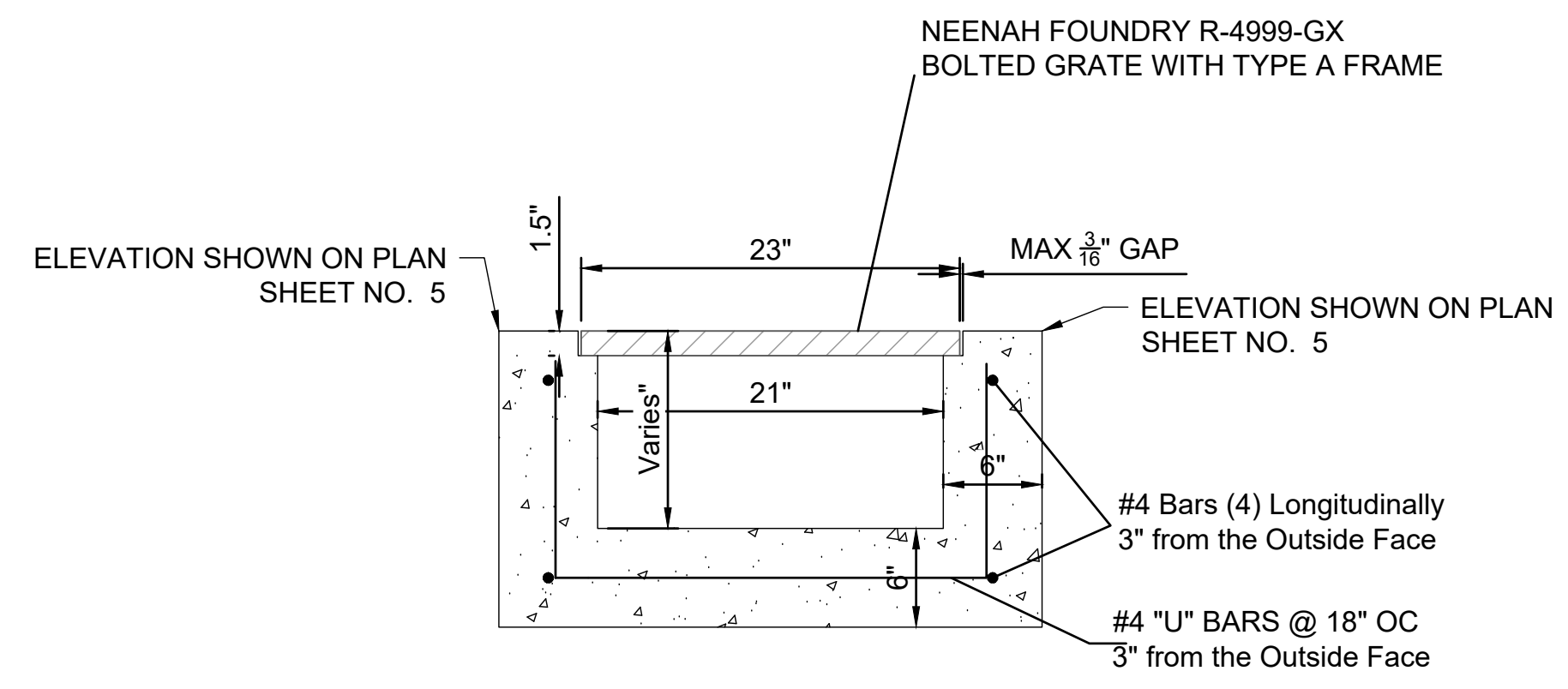
8535 E. 21st St. N.
 Suite 130
 Wichita, KS 67206
 (316) 264-8008



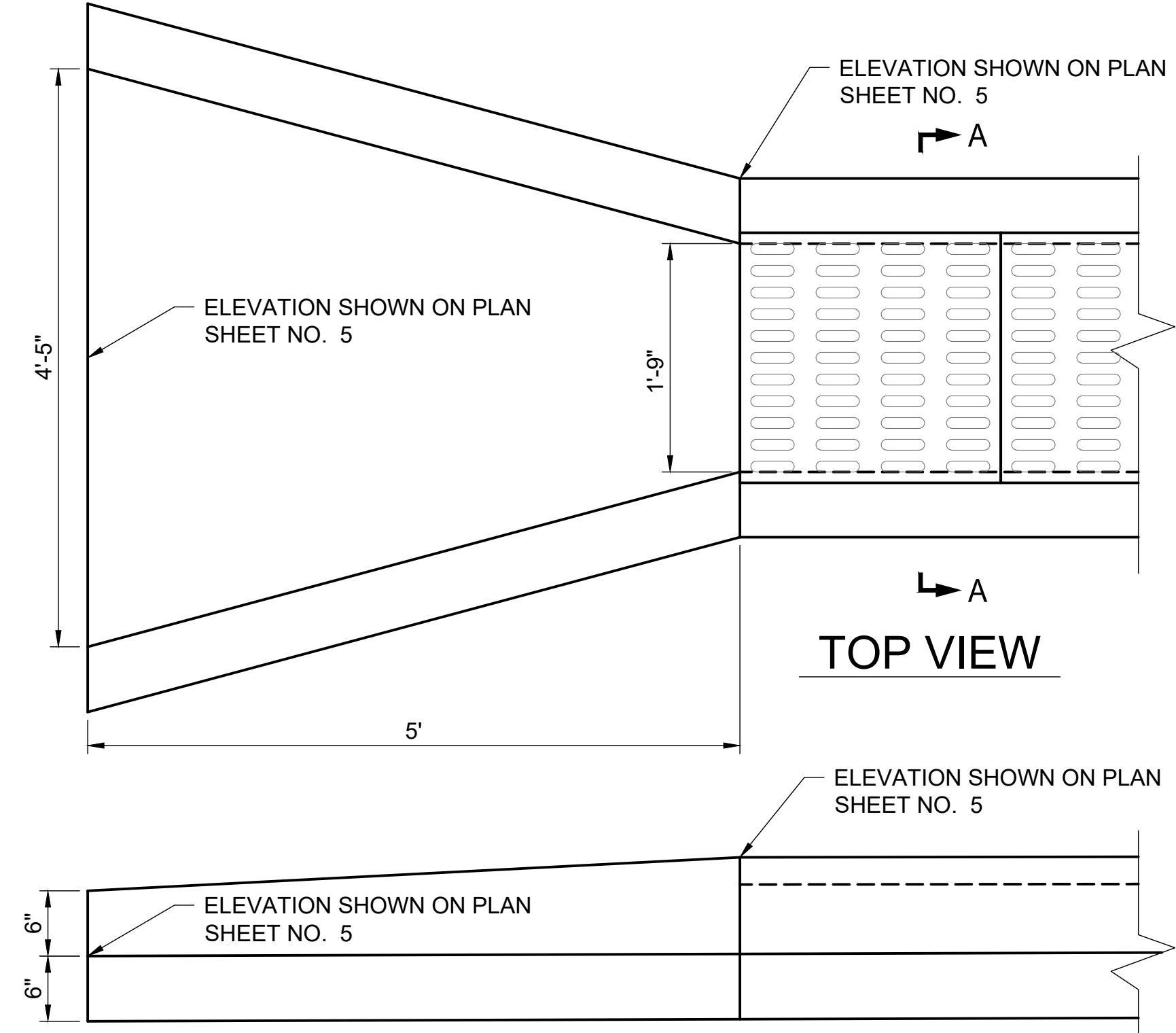
21st STREET NORTH
 Existing AC Pavement

Point #	Northing	Easting	Description
6000	1699223.64	1630334.11	TC
6001	1699265.48	1630334.06	TC-PC
6002	1699282.80	1630341.20	TC-PRC
6003	1699295.41	1630350.71	TC-PRC
6004	1699307.99	1630372.08	TC-PT
6005	1699265.51	1630358.56	CEN RAD
6006	1699283.49	1630372.11	CEN RAD
6007	1699338.99	1630372.04	TC-PC
6008	1699351.51	1630350.64	TC-PRC
6009	1699375.78	1630324.19	TC-PRC
6010	1699396.03	1630309.88	TC-PT
6011	1699398.10	1630334.29	CEN RAD
6012	1699363.49	1630372.01	CEN RAD
6013	1699393.42	1630278.99	TC PC
6014	1699371.04	1630268.29	TC PRC
6015	1699351.38	1630250.25	TC PRC
6016	1699338.81	1630228.88	TC PT
6017	1699363.31	1630228.85	CEN RAD

Point #	Northing	Easting	Description
6018	1699391.35	1630254.58	CEN RAD
6019	1699307.81	1630228.92	TC PC
6020	1699295.29	1630250.32	TC PRC
6021	1699282.70	1630259.86	TC PRC
6022	1699265.39	1630267.06	TC PT
6023	1699223.55	1630267.11	TC
6024	1699283.31	1630228.95	CEN RAD
6025	1699265.36	1630242.56	CEN RAD
6026	1699323.40	1630300.48	CEN ISLAND
6027	1699347.31	1630298.45	TC
6028	1699323.37	1630276.48	TC
6029	1699299.40	1630300.48	TC
6030	1699323.43	1630324.48	TC
6031	1699323.40	1630311.98	TC
6032	1699334.86	1630299.51	TC
6033	1699323.38	1630288.98	TC
6034	1699311.90	1630300.48	TC



SECTION A-A



SIDE VIEW

TRENCH DRAIN & GRATE DETAILS

BY	DESCRIPTION	DATE	REV.

CITY OF WICHITA
 WICHITA, KANSAS
 EMERALD BAY 4th ADD.
 PHASE 2 - PAVING

ENTRANCE GRADING & COORDINATE TABLE

JOB NO.: 19T41016
 DATE: SEPT. 2020
 DESIGNED BY: .
 DRAWN BY: .
 BAR IS ONE INCH ON ORIGINAL DRAWING
 IF NOT ONE INCH ON THIS SHEET, ADJUST SCALES ACCORDINGLY.
 DRAWING NUMBER
 SHEET NUMBER **7** OF **21**

File: L:\2019\19T41016 - Emerald Bay 4th PH 2\Drawings\C3D\Paving Sheets\EMERALD BAY ENTRANCE.dwg, Last Save: 12/1/2020 9:14 AM, Last saved by: E.Glover
 Last plotted by: Glover, Eric J., Plot Style: ---, Plot Scale: 1:2,5649, Plot Date: 12/1/2020 1:17 PM, Plotter used: None