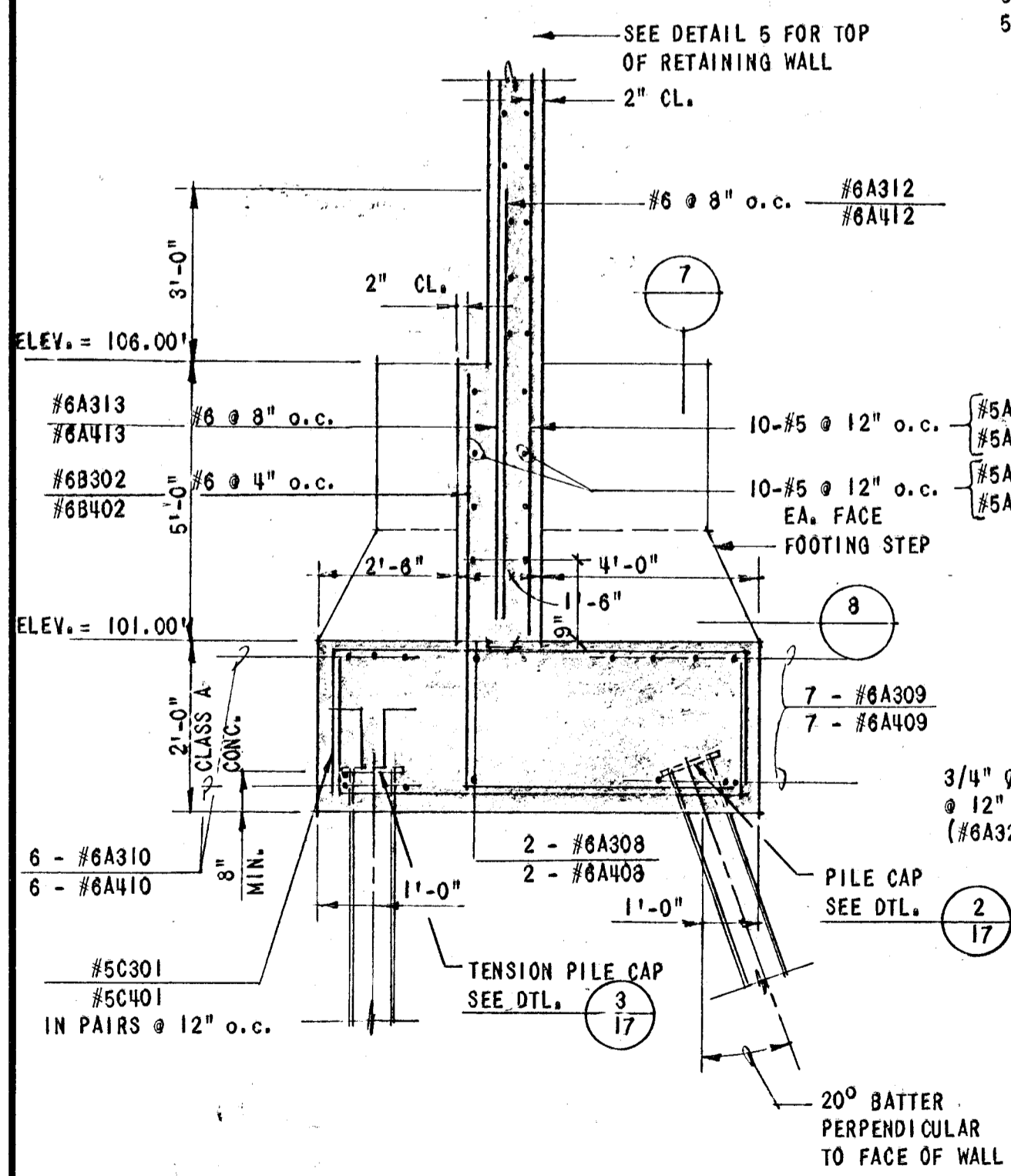
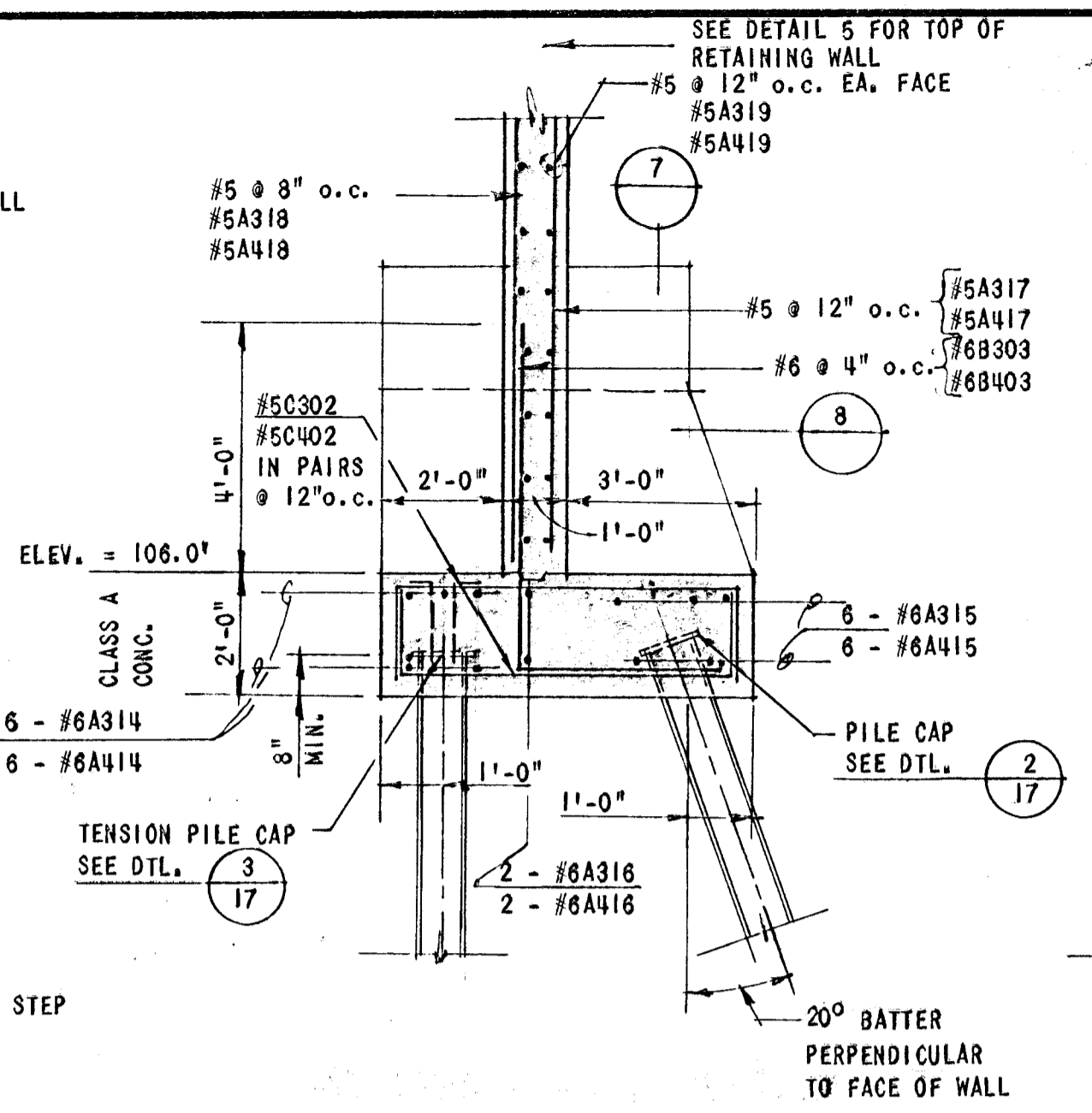


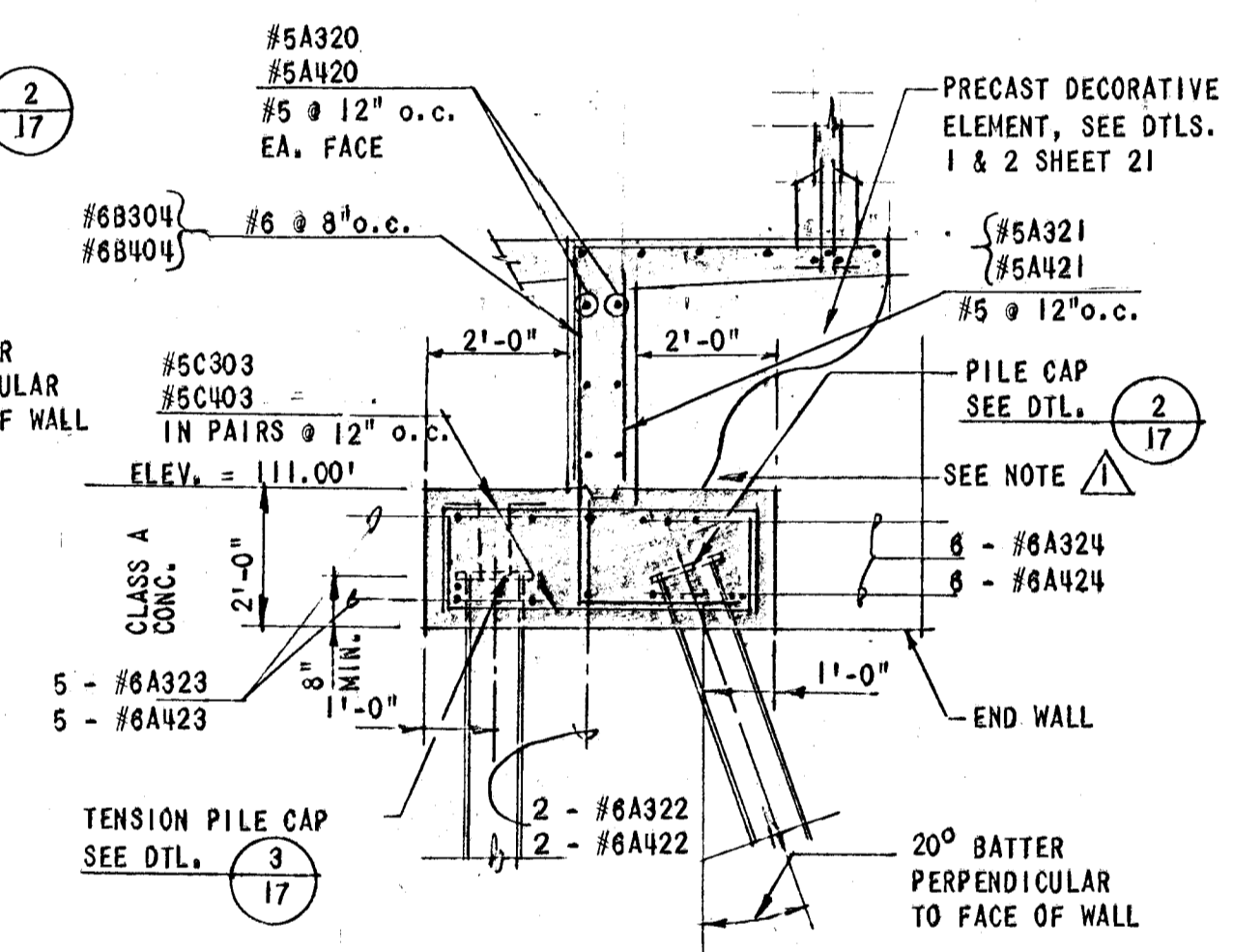
RETAINING WALL SECTION 1  
3/8" = 1'-0"



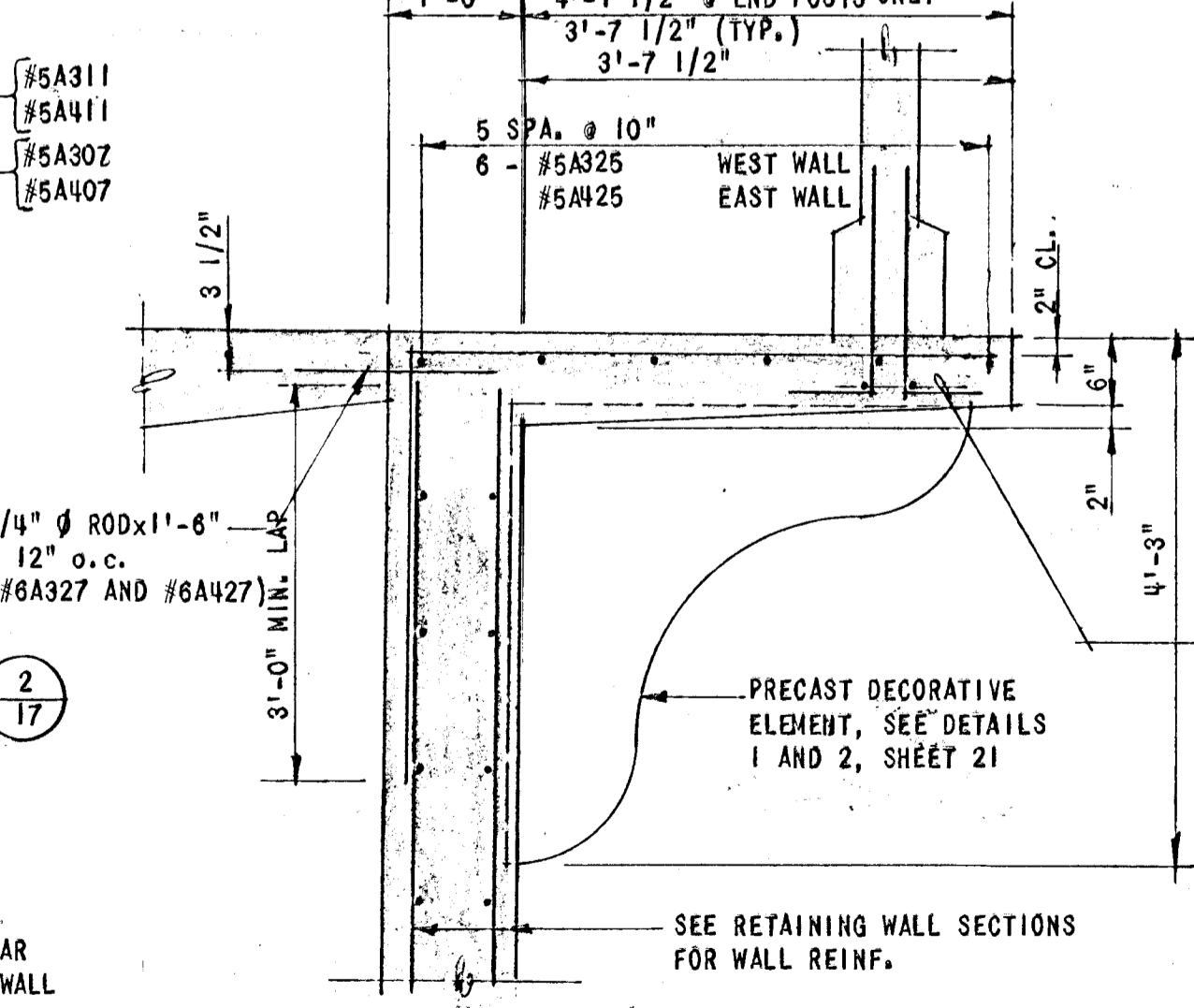
RETAINING WALL SECTION 2  
3/8" = 1'-0"



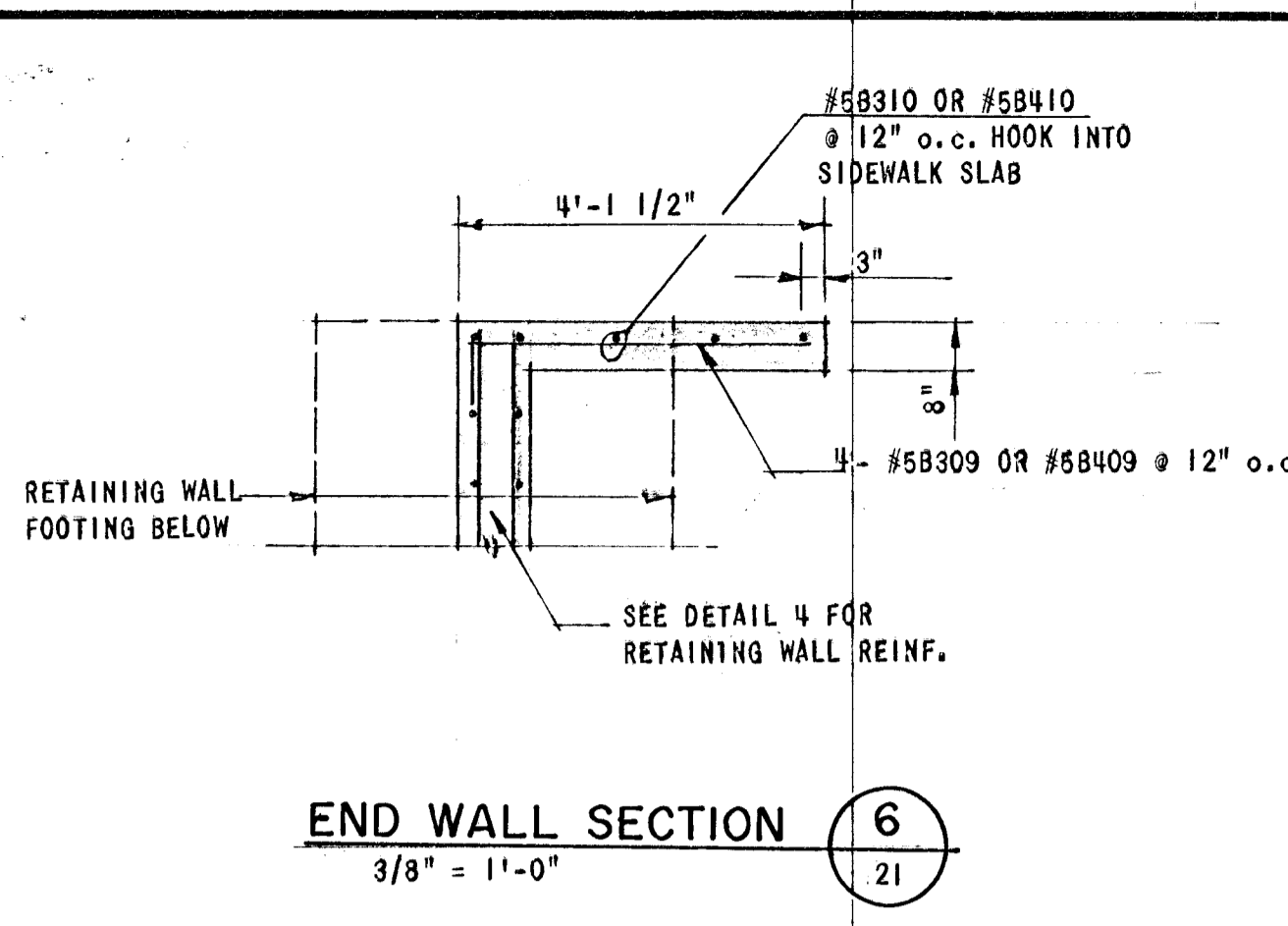
RETAINING WALL SECTION 3  
3/8" = 1'-0"



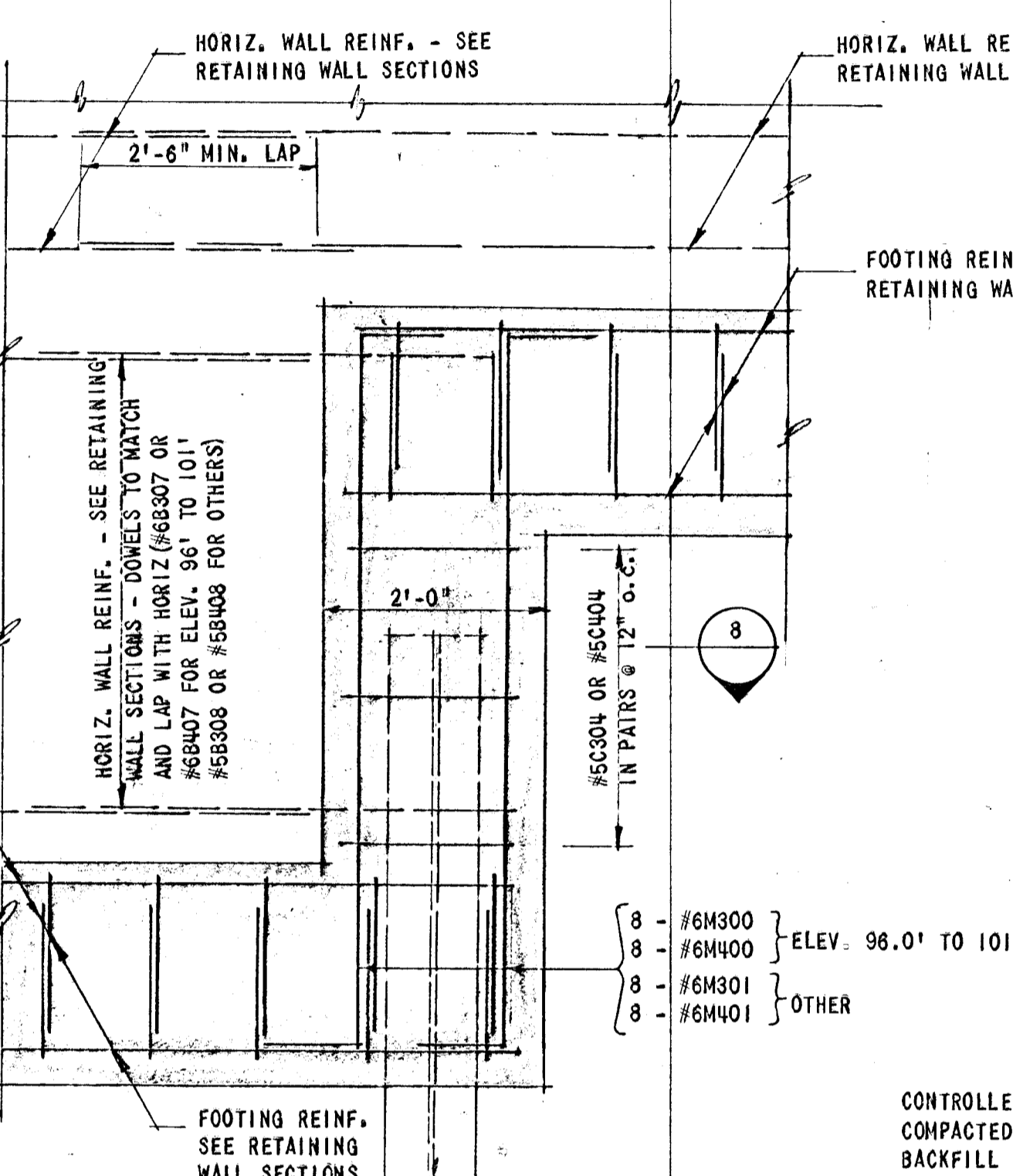
RETAINING WALL SECTION 4  
3/8" = 1'-0"



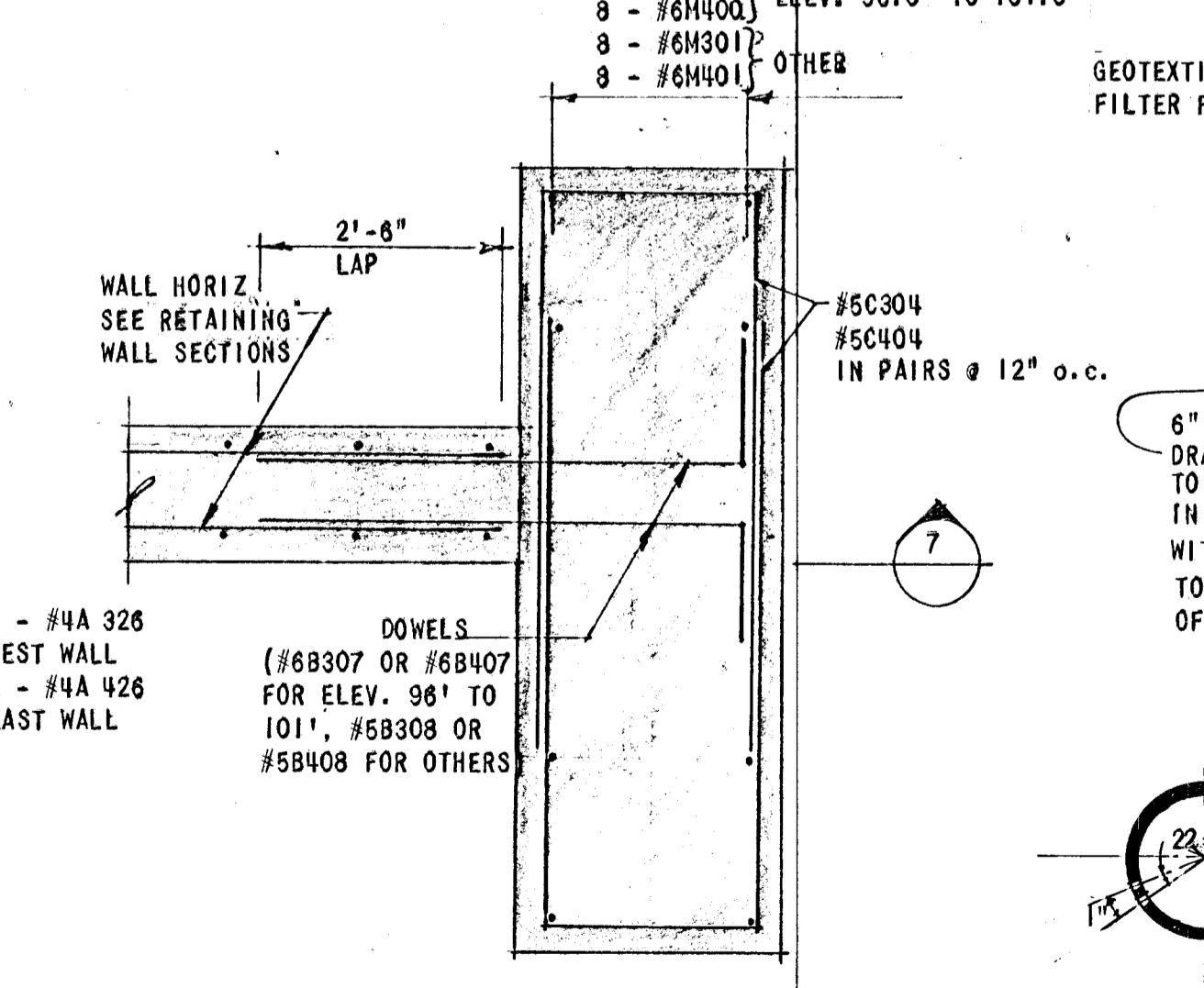
SIDEWALK ON RETAINING WALL DETAIL 5  
3/4" = 1'-0"



END WALL SECTION 6  
3/8" = 1'-0"

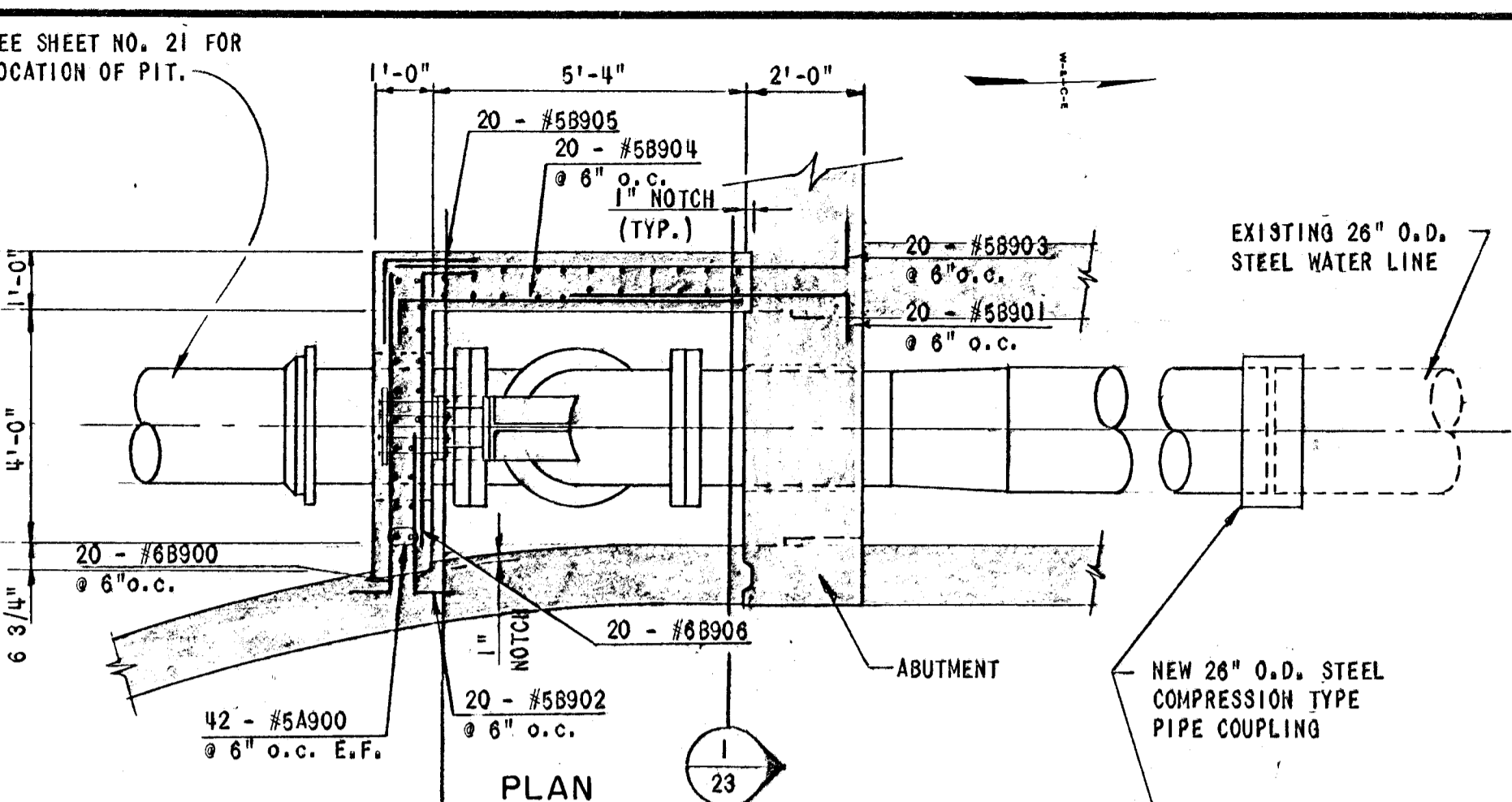


RETAINING WALL STEPPED FOOTING SECTION 7  
3/4" = 1'-0"

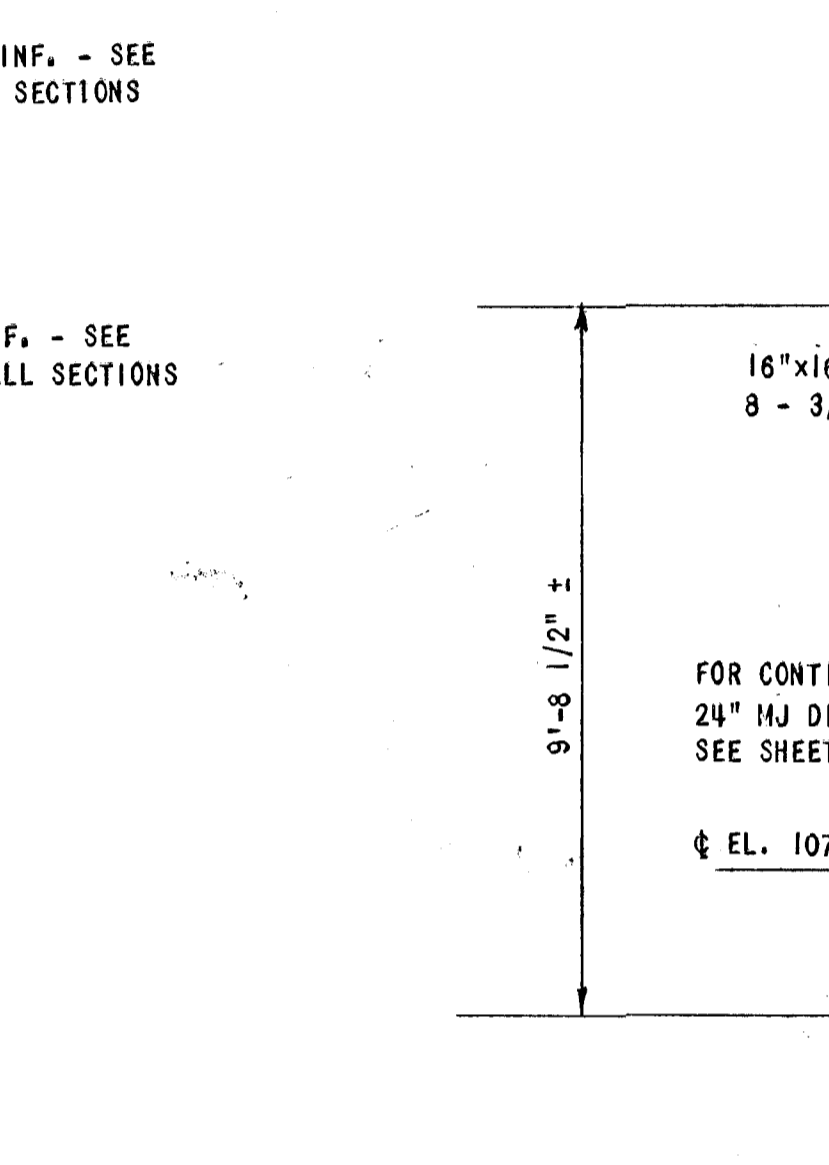


STEPPED FOOTING SECTION 8  
3/4" = 1'-0"

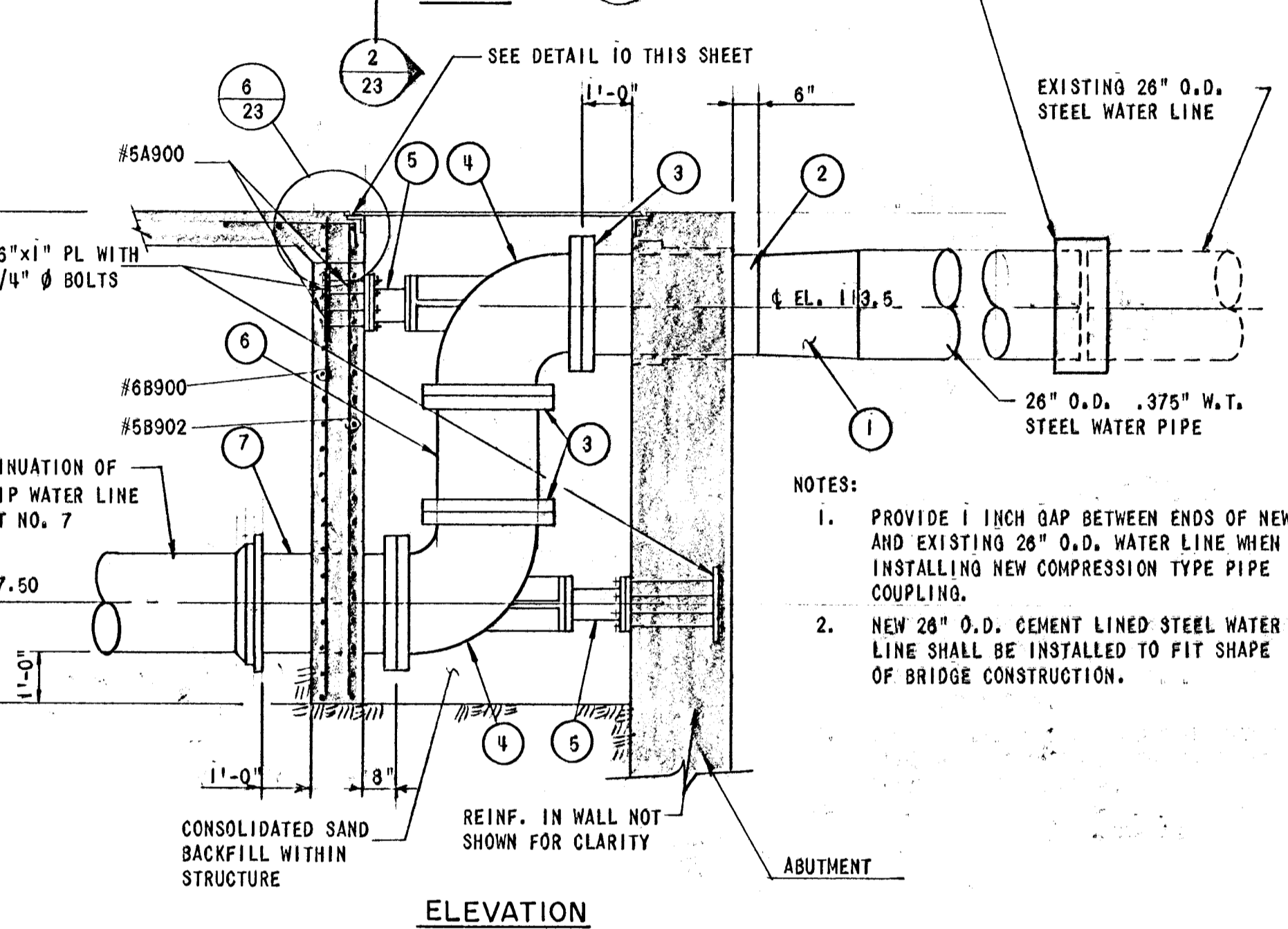
- 1 26" O.D. x 2 1/2" O.D. .375" W.T. WELDING REDUCER
- 2 24" O.D. x 42" LONG .375" W.T. STEEL PIPE
- 3 24" 150 LB. FLAT FACED FORGED STEEL SLIP-ON FLANGE, FACE OF FLANGE TO BE GROUNDED SMOOTH.
- 4 24" D.I. FLANGED BASE 90° BEND
- 5 8" SCH. 40 PE STEEL PIPE WITH TWO 8" 150 LB FLAT FACED SLIP ON FLANGES. FACE OF FLANGE TO BE GROUNDED SMOOTH (LENGTH TO BE DETERMINED IN FIELD)
- 6 24" O.D. .375 W.T. STEEL PIPE (LENGTH TO BE DETERMINED IN FIELD)
- 7 24" O.D. FL. x PE. x 33 1/2" LONG.



PIT DETAIL 9  
3/8" = 1'-0"



RETAINING WALL DRAINAGE 11  
NOT TO SCALE



ACCESS OPENING FRAMES AND PLATES 10

CITY OF WICHITA PROJECT NO. 472-76-245-81199-000-000-001

WICHITA, KANSAS  
McLEAN AT SENECA INTERSECTION IMPROVEMENTS  
RETAINING WALL DETAILS

DESIGN GWJ	DRAWN RDS	DATE OCT. 1983
WILSON & COMPANY ENGINEERS & ARCHITECTS WICHITA - KANSAS		FILE NO. 82-324A
REVISION		SHEET NO. 20 OF 37

82-324A