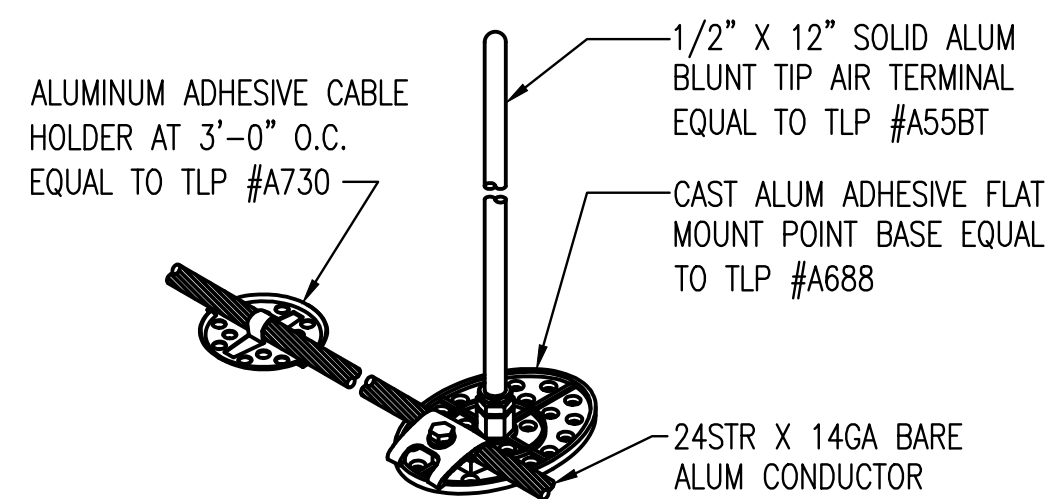
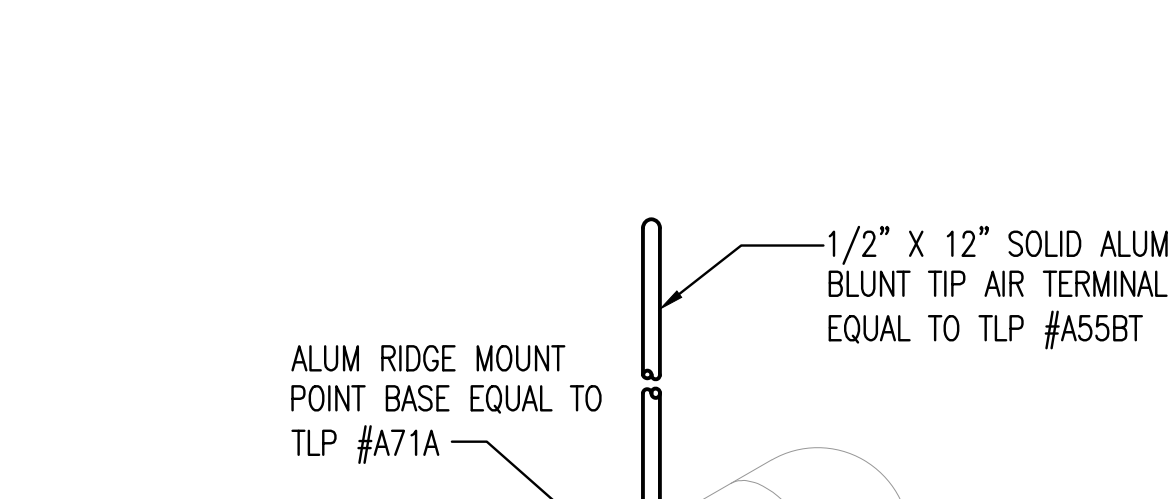


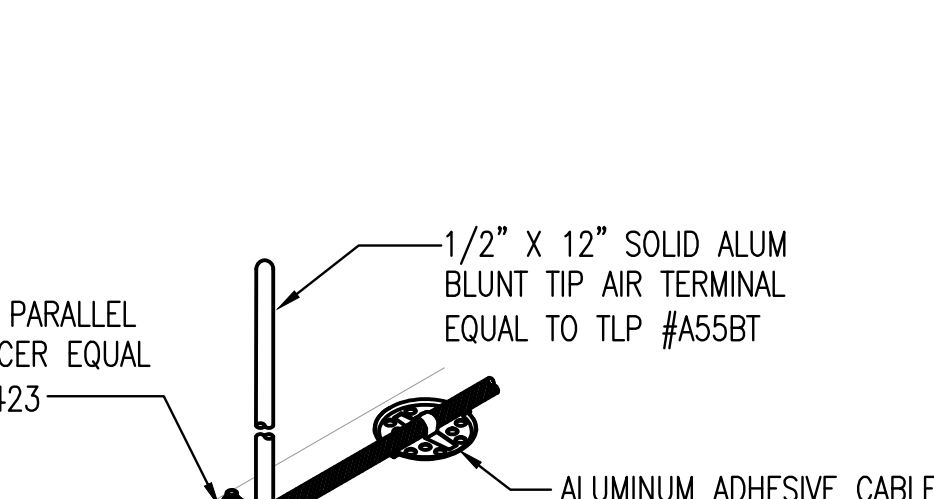
1 AIR TERMINAL AT PARAPET  
NOT TO SCALE



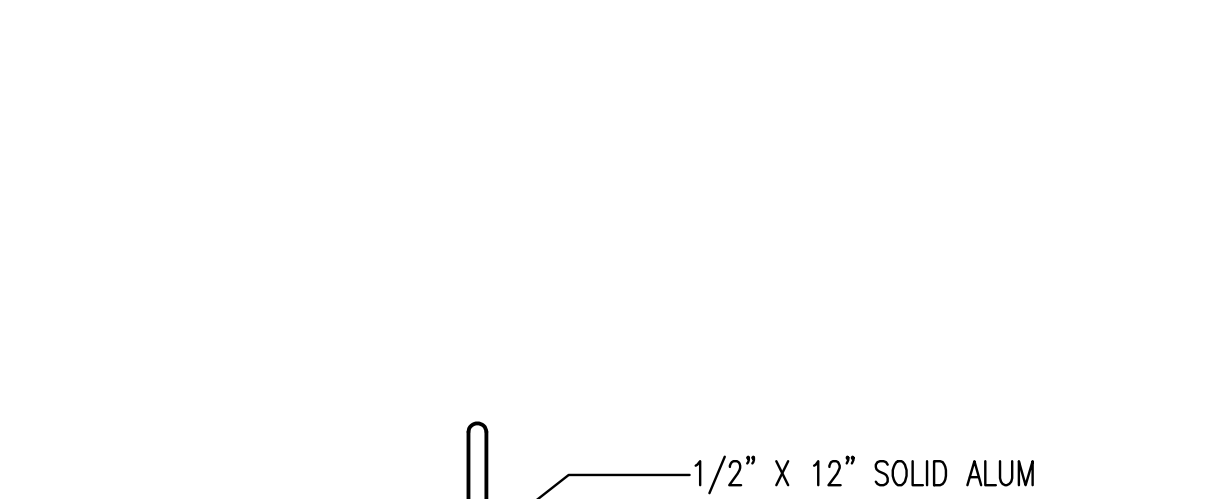
2 AIR TERMINAL AT EAVE  
NOT TO SCALE



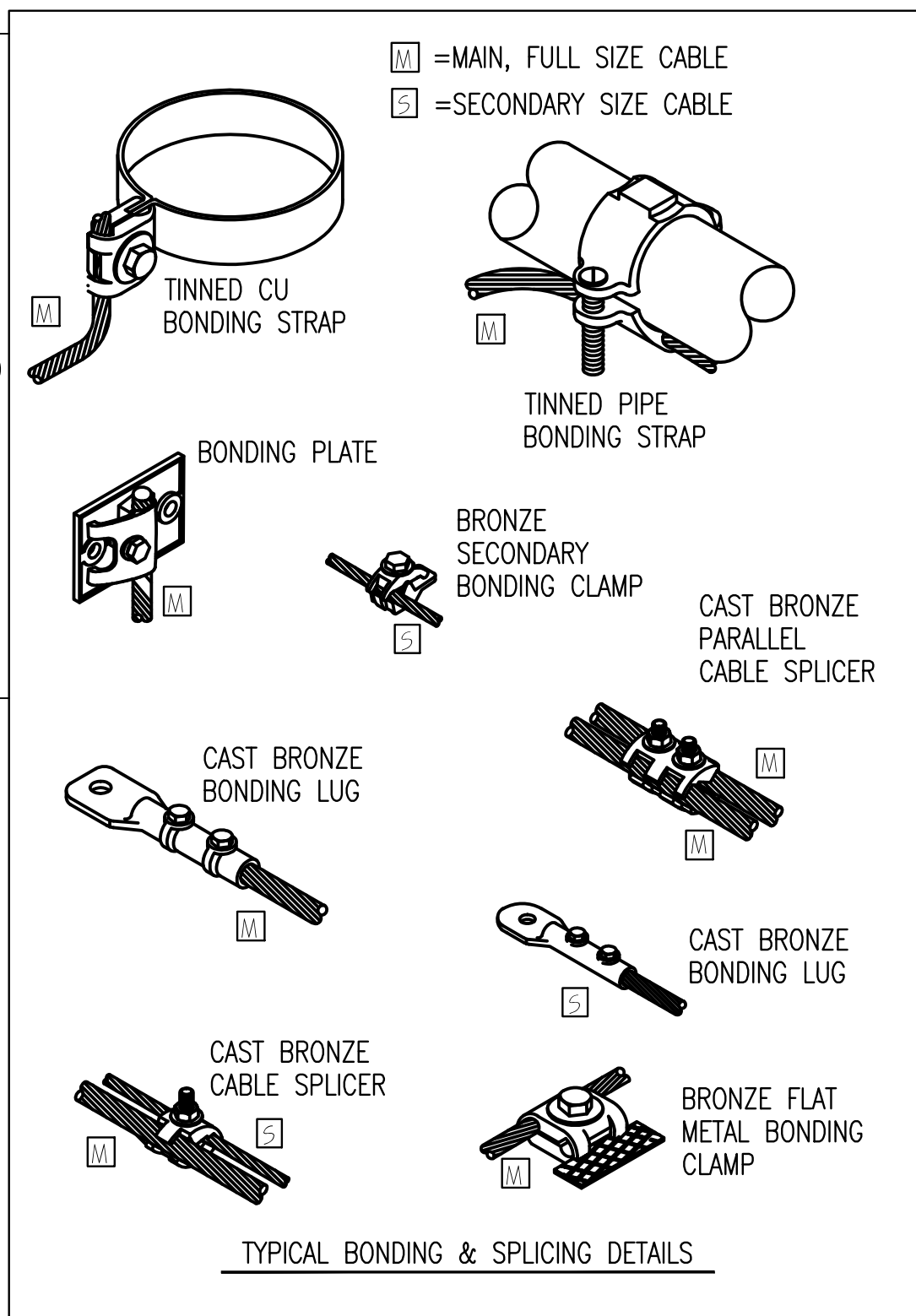
3 AIR TERMINAL AT GUTTER  
NOT TO SCALE



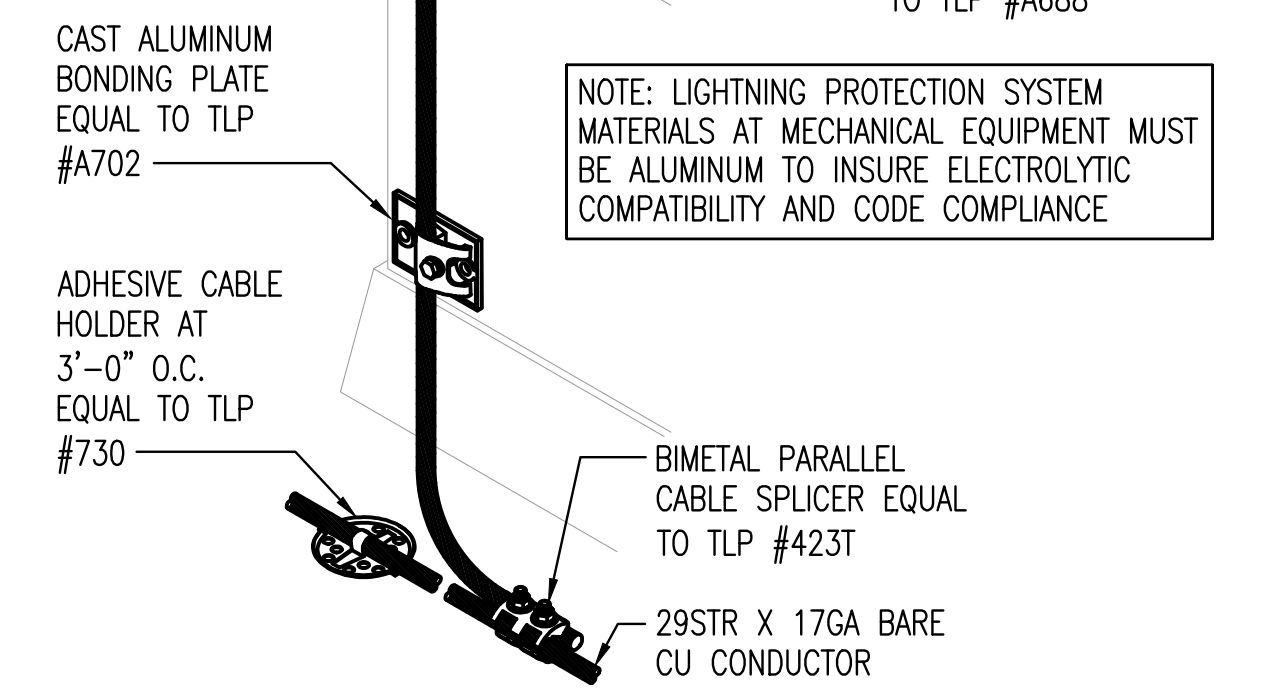
4 AIR TERMINAL AT EXHAUST FAN  
NOT TO SCALE



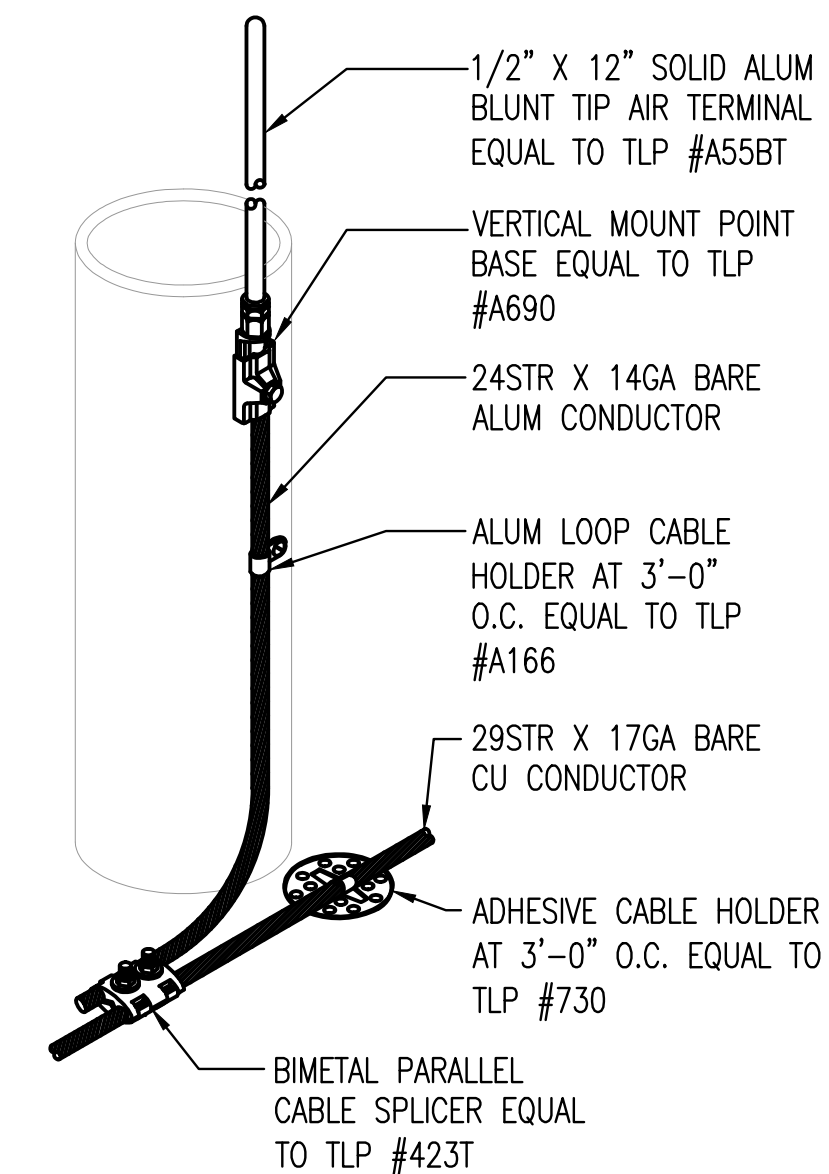
5 TYPICAL AIR TERMINAL  
NOT TO SCALE



6 AIR TERMINAL PIPE CONNECTION  
NOT TO SCALE

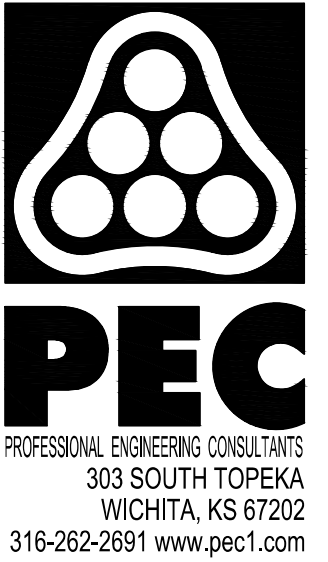


7 AIR TERMINAL AT MECHANICAL EQUIPMENT  
NOT TO SCALE



8 ADHESIVE AIR TERMINAL  
NOT TO SCALE

NOTE: ALL CONDUIT/EXPOSED CABLE MUST BE SUPPORTED AT MAX. 36" O.C. AND CANNOT BE SECURED IN MORTAR JOINTS - MUST MAINTAIN 8" MIN. RADIUS BENDS. CONDUIT "LB'S" AND PRE-MADE 1" CONDUIT 90° BENDS ARE NOT PERMITTED.



PLANT TWO - UV LIGHTNING PROTECTION  
CITY OF WICHITA, KANSAS

Issue:		
REVISION #1		11/3/20

JOB NO.	197043-009
DATE	JANUARY 2021
PM	RWW
DESIGNED BY	CJV
DRAWN BY	ABP
CHECKED BY	SMS

ELECTRICAL DETAILS

Sheet: 01-08-2020 3:24:58 PM by ADAM POTTER  
Plot Scale: 1" = 1'-0" (1:12)  
U:\Wichita-Civil\2019\197043\009 Elec Drawings\197043-009 - E101 ELECTRICAL DETAILS