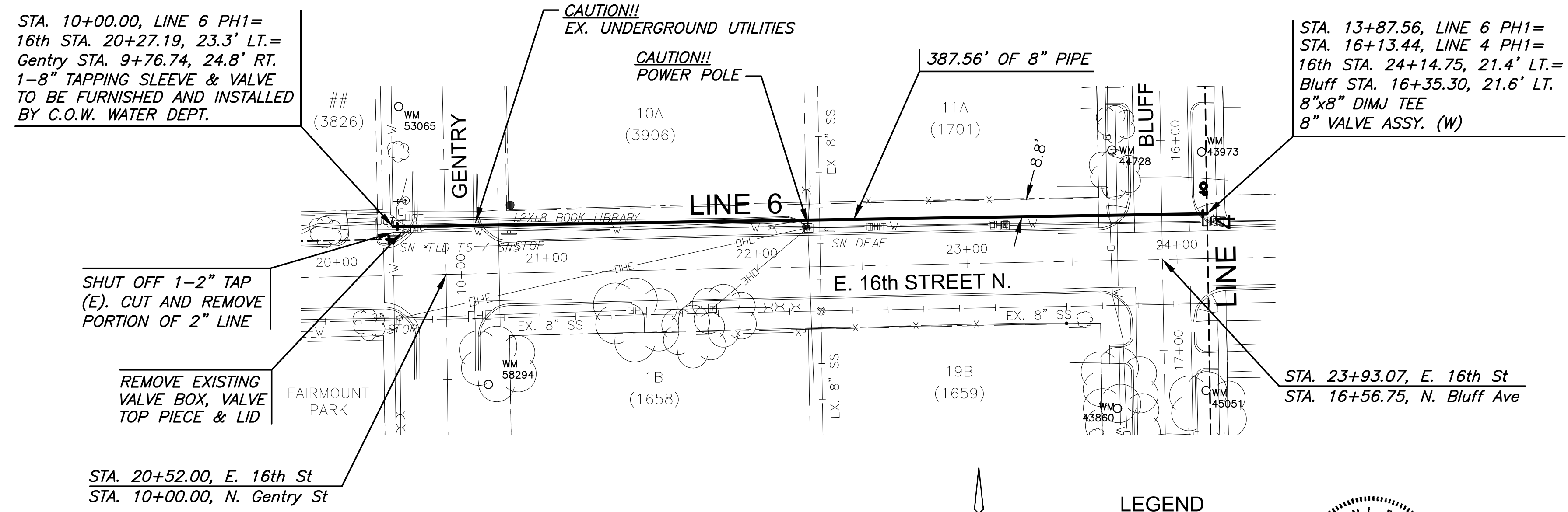
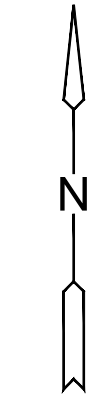


PLOTTED: Friday, February 05, 2021 @ 11:18AM

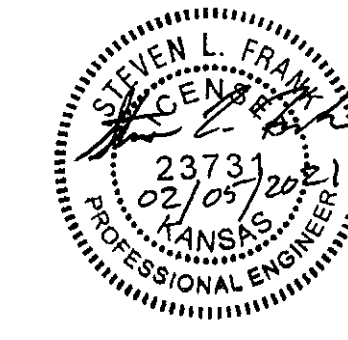
J:\PROJECTS\2019\1901010483\_COW WATER MAIN SOUTH OF 17TH\_19483\_1200 CAD\SHOTS\05 CIVIL\WTR\19483-05-3208.DWG



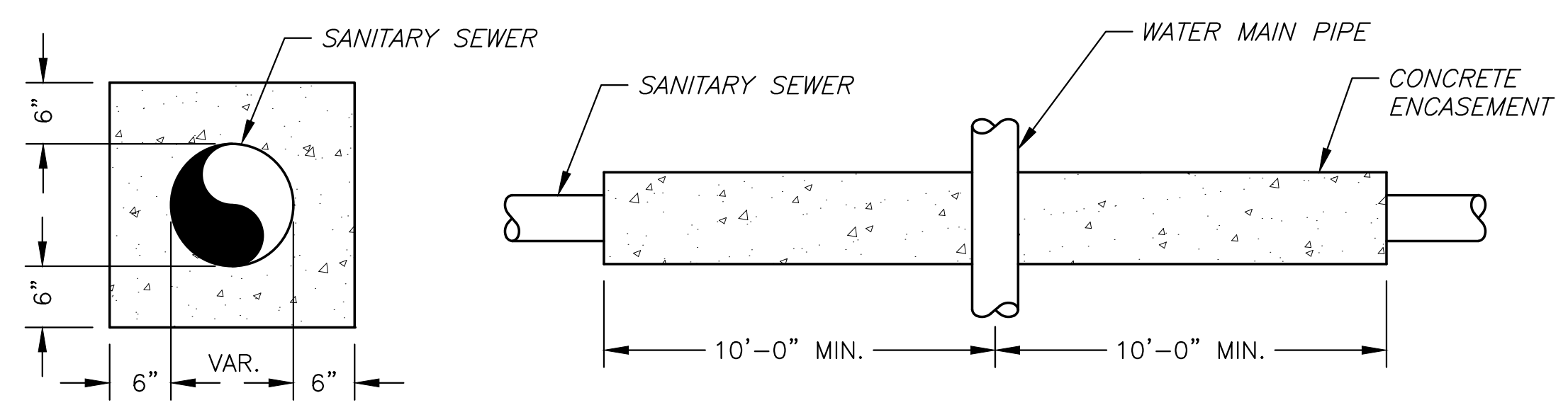
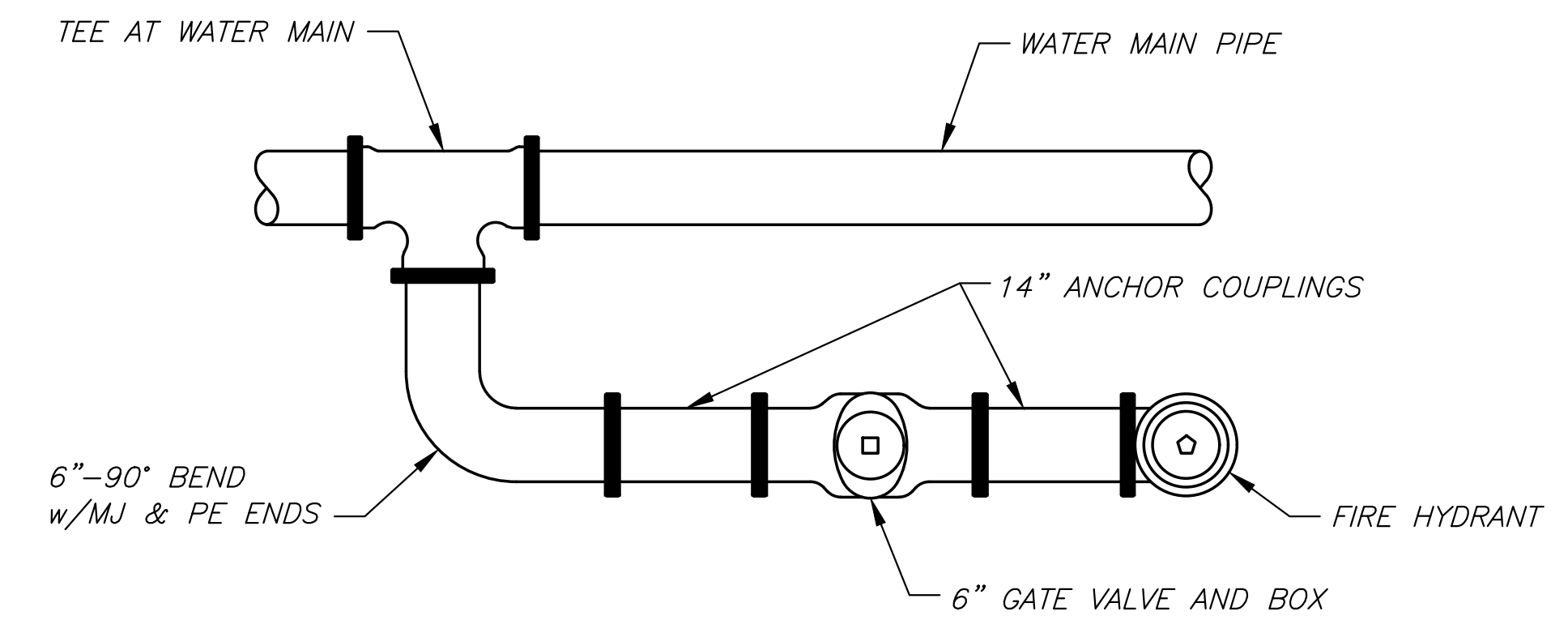
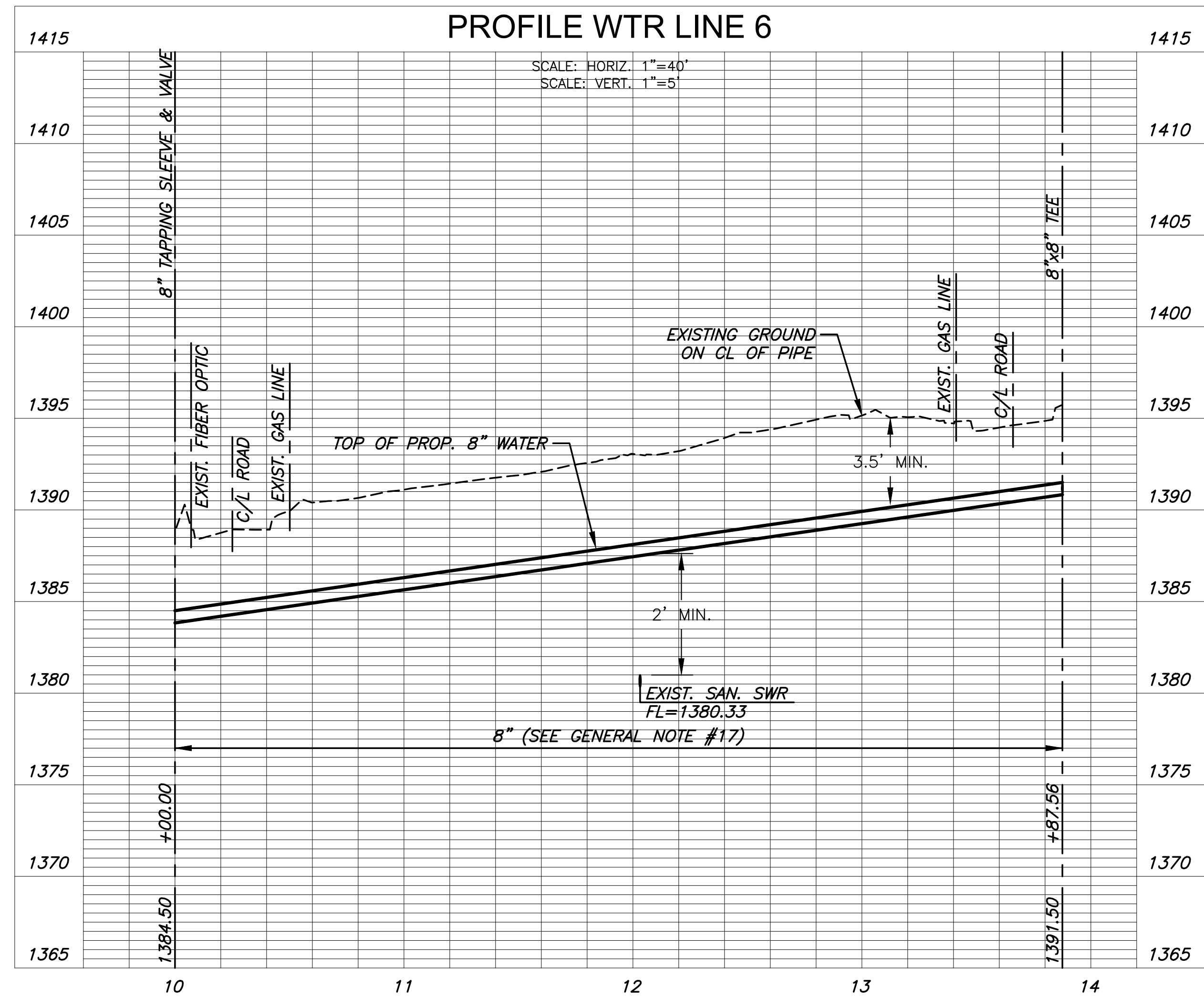
NOTE:  
CONTRACTOR TO VERIFY LOCATION AND ELEVATION OF EXISTING WATER LINE PRIOR TO CONSTRUCTION.



- LEGEND**
- ## = LOT NUMBER
  - (###) = ADDRESS
  - WM = WATER METER



PLAN WTR LINE 6  
PROFILE WTR LINE 6



WATER LINE REPLACEMENT PLANS FOR  
**WATER LINE IMPROVEMENTS**  
**SOUTH OF 17th STREET**

©2021 MKEC Engineering All Rights Reserved  
www.mkec.com  
These drawings and their contents, including, but not limited to, all concepts, designs, & ideas are the exclusive property of MKEC Engineering (MKEC), and may not be used or reproduced in any way without the express consent of MKEC.

**WATER LINE 6**

PROJECT NO.	448-2020-027409	
DATE	FEB. 2021	
SCALE	1" = 40'	
DESIGNED	DRAWN	CHECKED
DFL	JWC	SLF

SHEET NO.