

PLANS FOR
ANNA STREET PAVING IMPROVEMENTS
WICHITA, KS

©2021
MKEC Engineering
All Rights Reserved
www.mkec.com
These drawings and their contents, including, but not limited to, all concepts, designs, & ideas are the exclusive property of MKEC Engineering (MKEC), and may not be used or reproduced in any way without the express consent of MKEC.

**SWS LINES 1, 2,
AND 3 PLAN
AND PROFILE**

PROJECT NO. 1901010483

DATE FEB. 2021

SCALE 1"=20'

DESIGNED DRAWN CHECKED
JRA RAM JRA

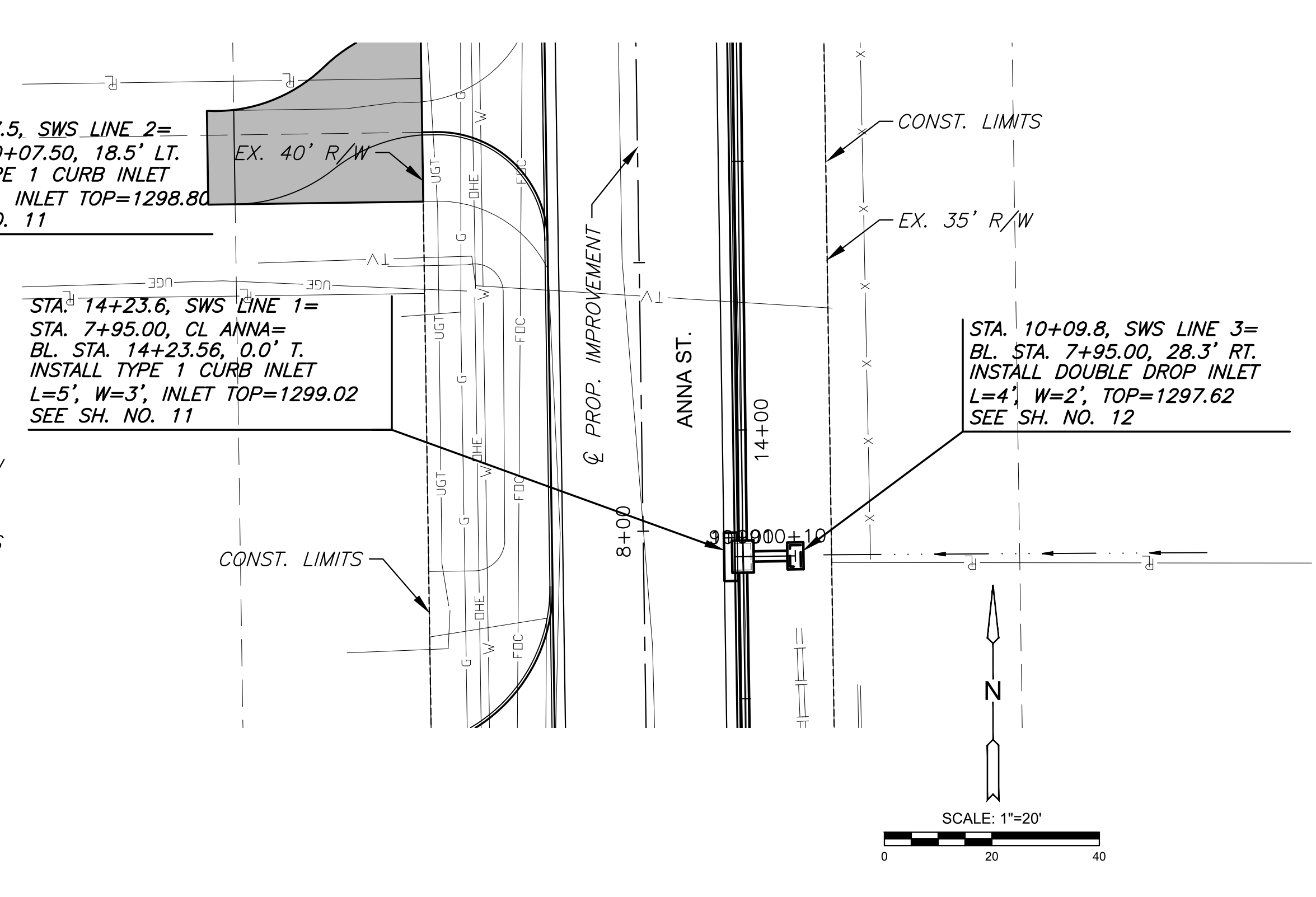
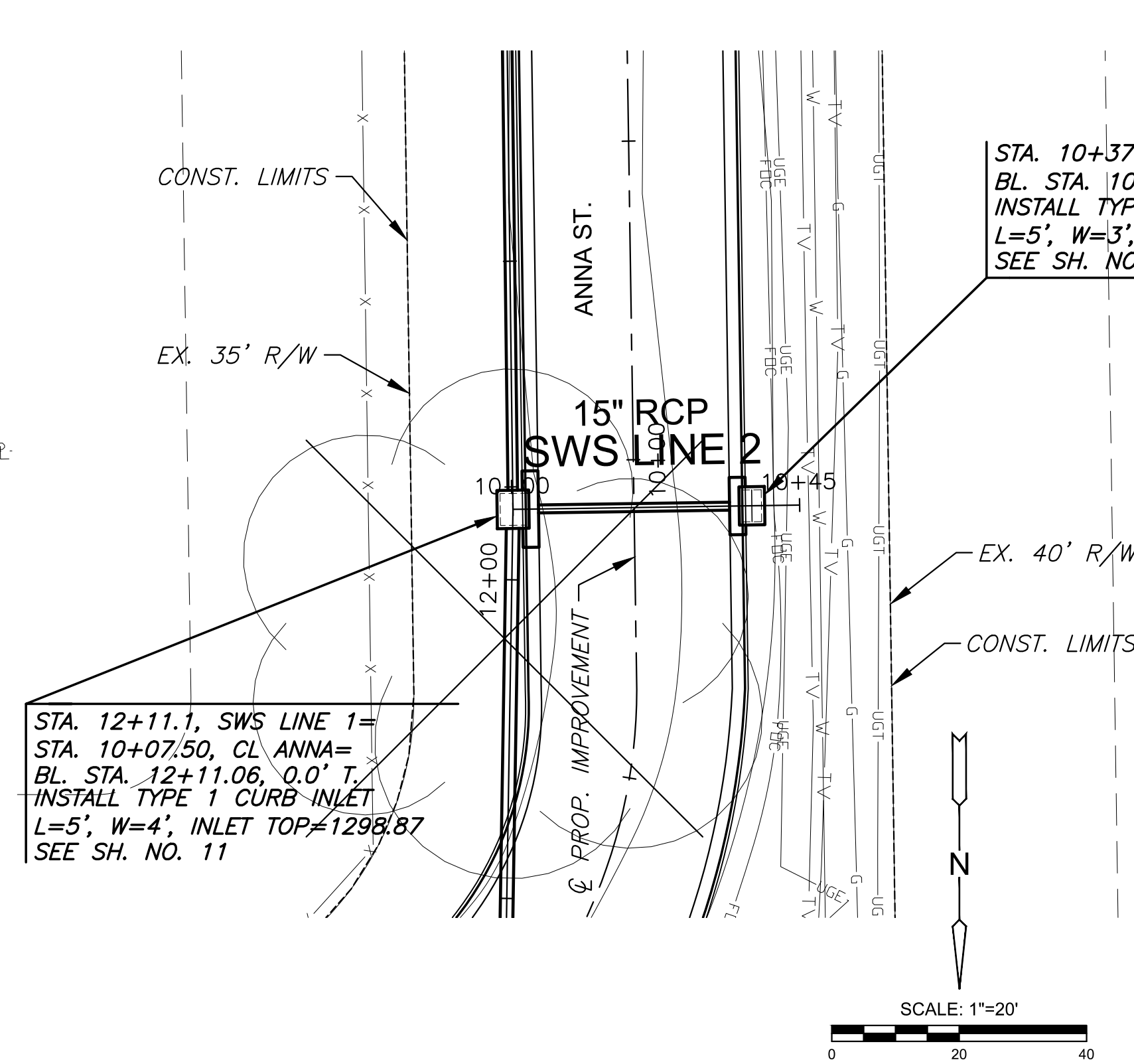
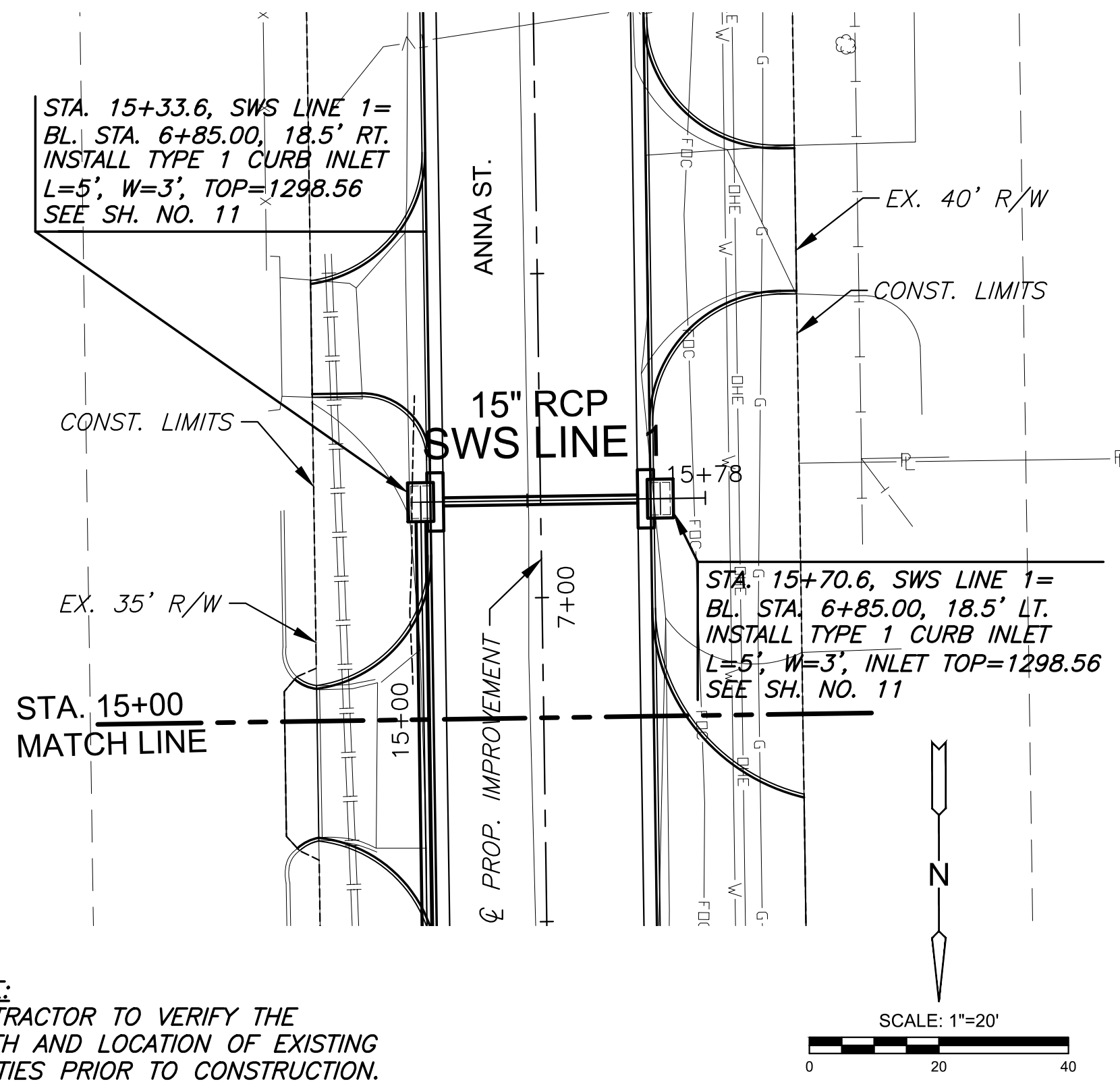
NO. REVISION DATE

SHEET NO.

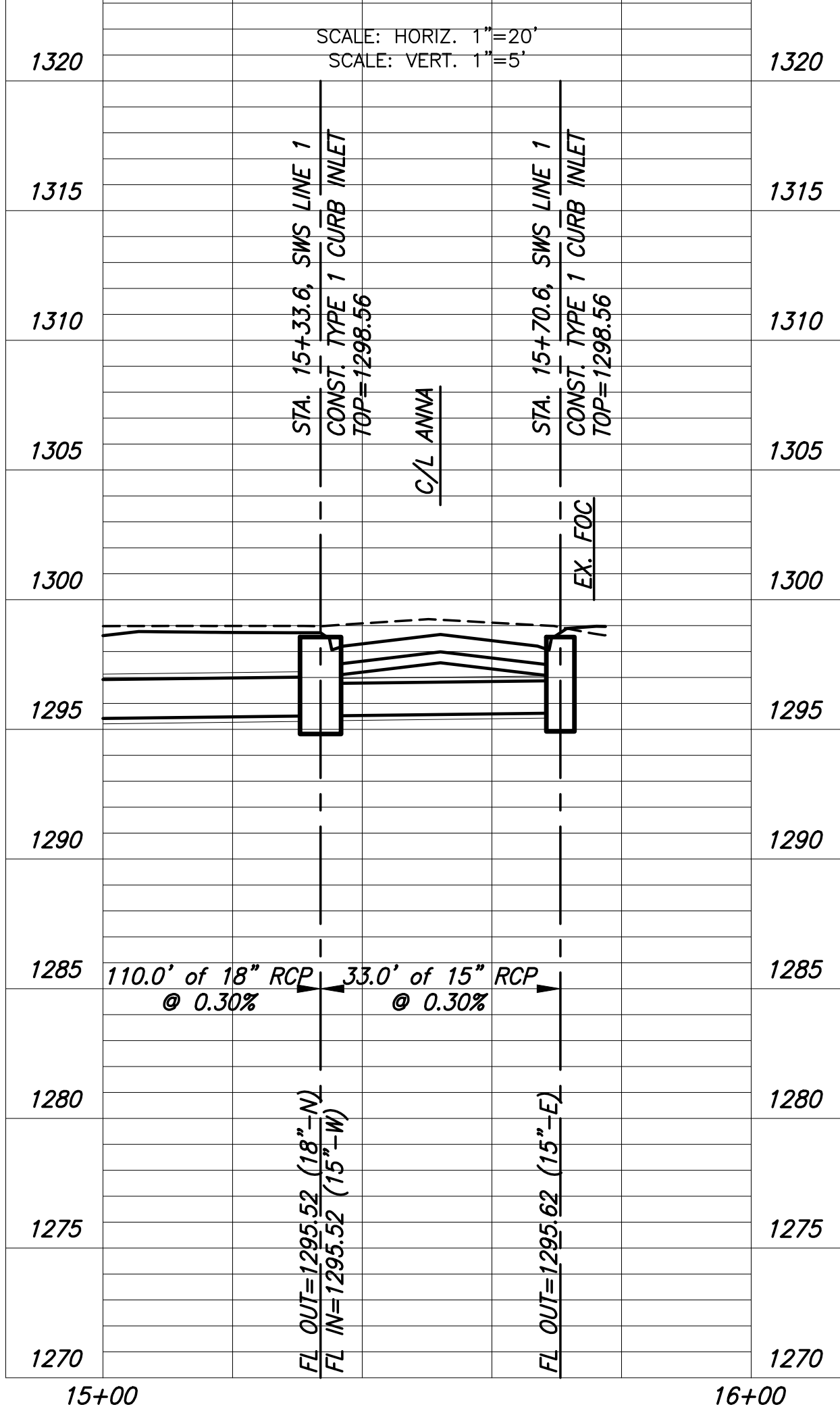
7 OF 38

PLOTTED: Wednesday, February 10, 2021 @ 03:03PM

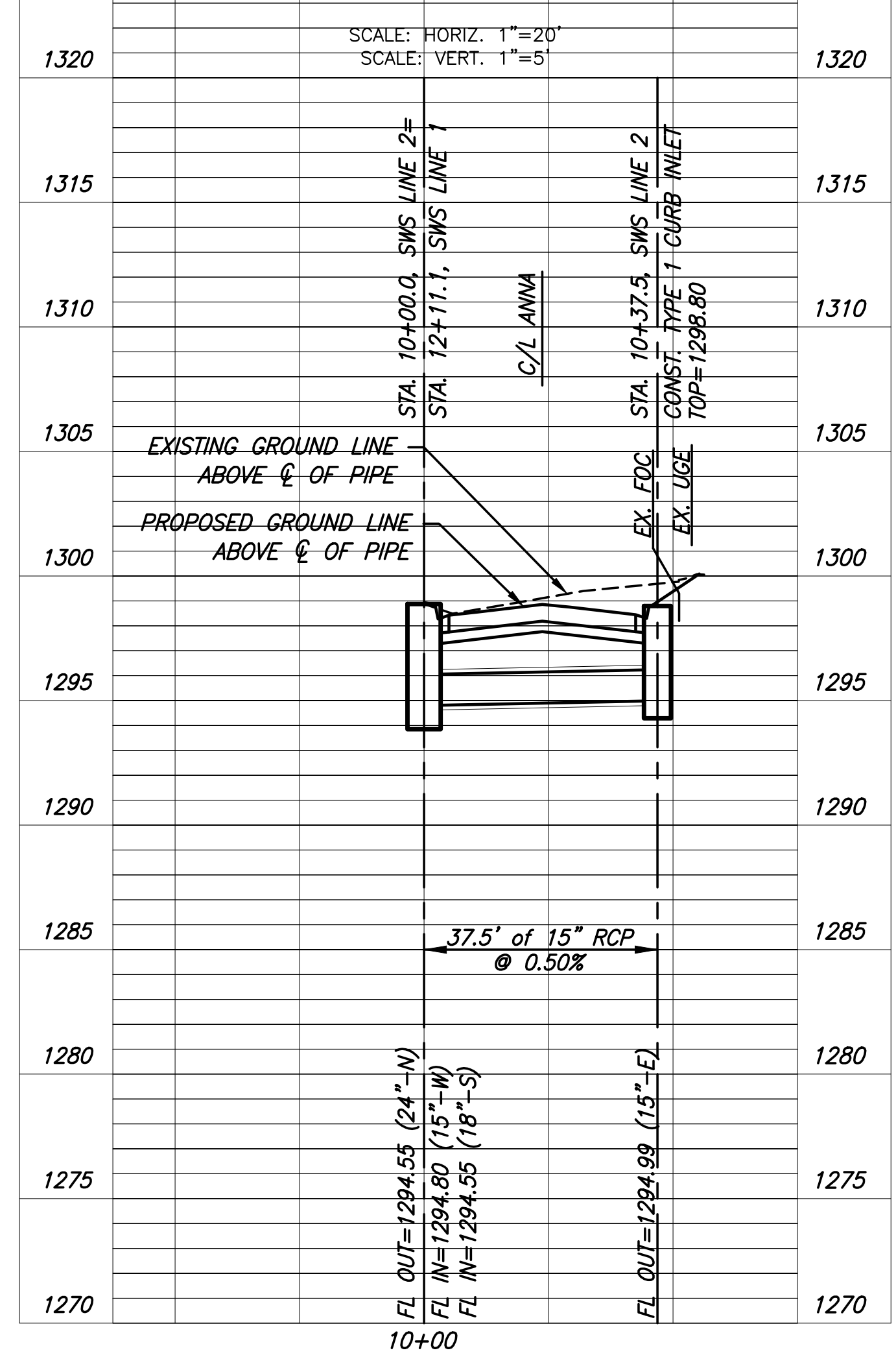
J:\PROJECTS\2019\1901010483_COW_ANNA_PAVING\001_190483_CAD\SHS\05_CIVIL\SWS\190483-05-2501.DWG



1325 PLAN SWS LINE 1 (CONT. 7) 1325
PROFILE SWS LINE 1 (CONT. 7)



1325 PLAN SWS LINE 2 1325
PROFILE SWS LINE 2



1325 PLAN SWS LINE 3 1325
PROFILE SWS LINE 3

