

| FHWA REGION NO. | STATE | PROJECT NO. | YEAR | SHEET NO. | TOTAL SHEETS |
|-----------------|--------|-----------------|------|-----------|--------------|
| 7 | KANSAS | 81-87 K-5985781 | 1997 | 10 | 18 |

INSTALLATION NOTES

- STRAW OR HAY BALES:**
1. Place Bales tightly together, with loose straw or hay wedged between Bales to close off any openings.
 2. Wood Stakes shall be 2" x 2" (nom.) x 4'-0" long (min.)
 3. Refer to plan sheets to estimate the linear footage of Bales required.
 4. Use only twine to bind bales. The use of wire binding is prohibited because it does not readily biodegrade.
- SILT FENCE:**
1. Wood Stakes shall be 2" x 2" (nom.) x 5'-0" long (min.)
 2. Attach Fence Fabric to wood stakes with staples, wire, or nails.
 3. Refer to plan sheets to estimate the linear footage of Silt Fence required.

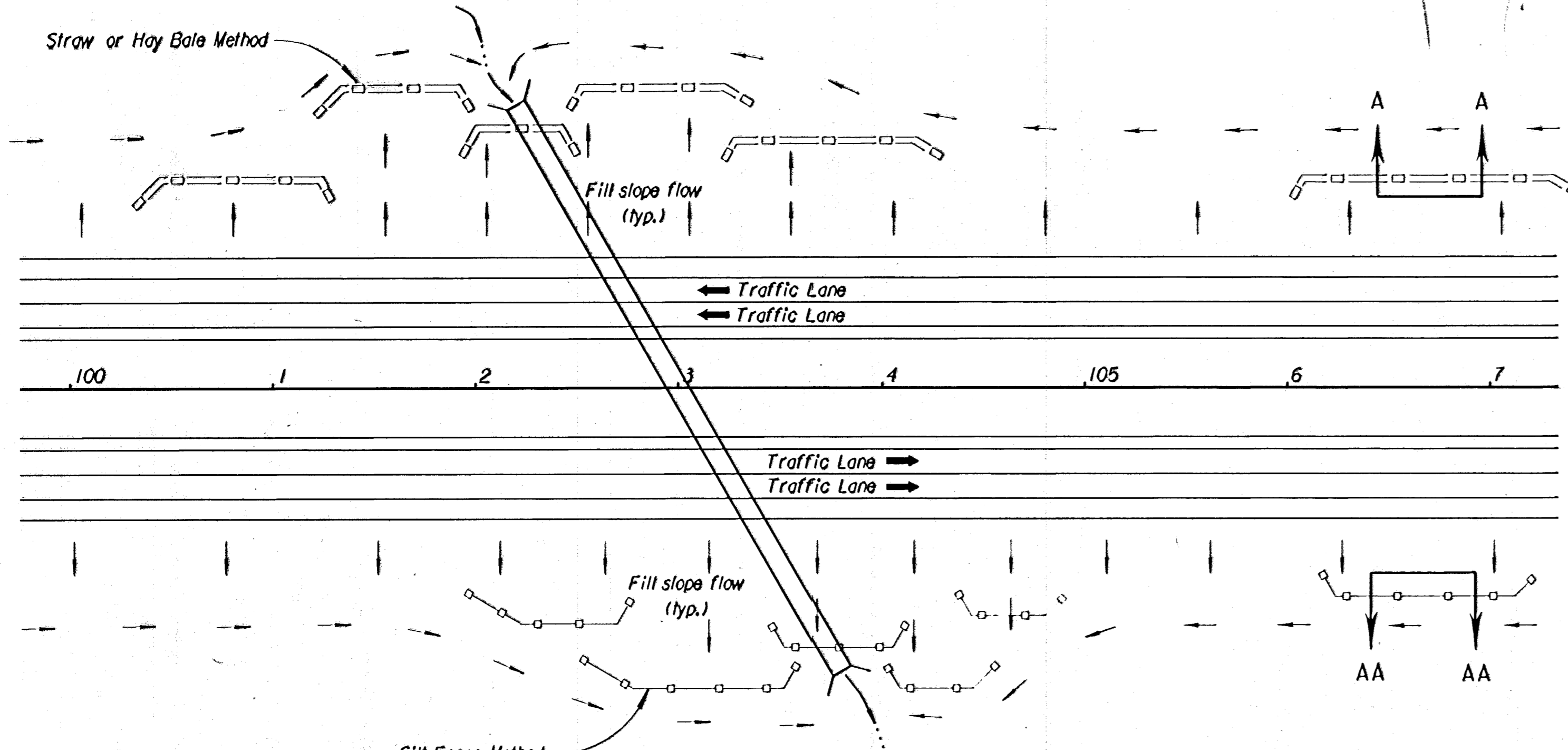
LEGEND OF TEMPORARY SLOPE SILT CONTROL METHODS

—○—○—○— Silt Fence Barrier

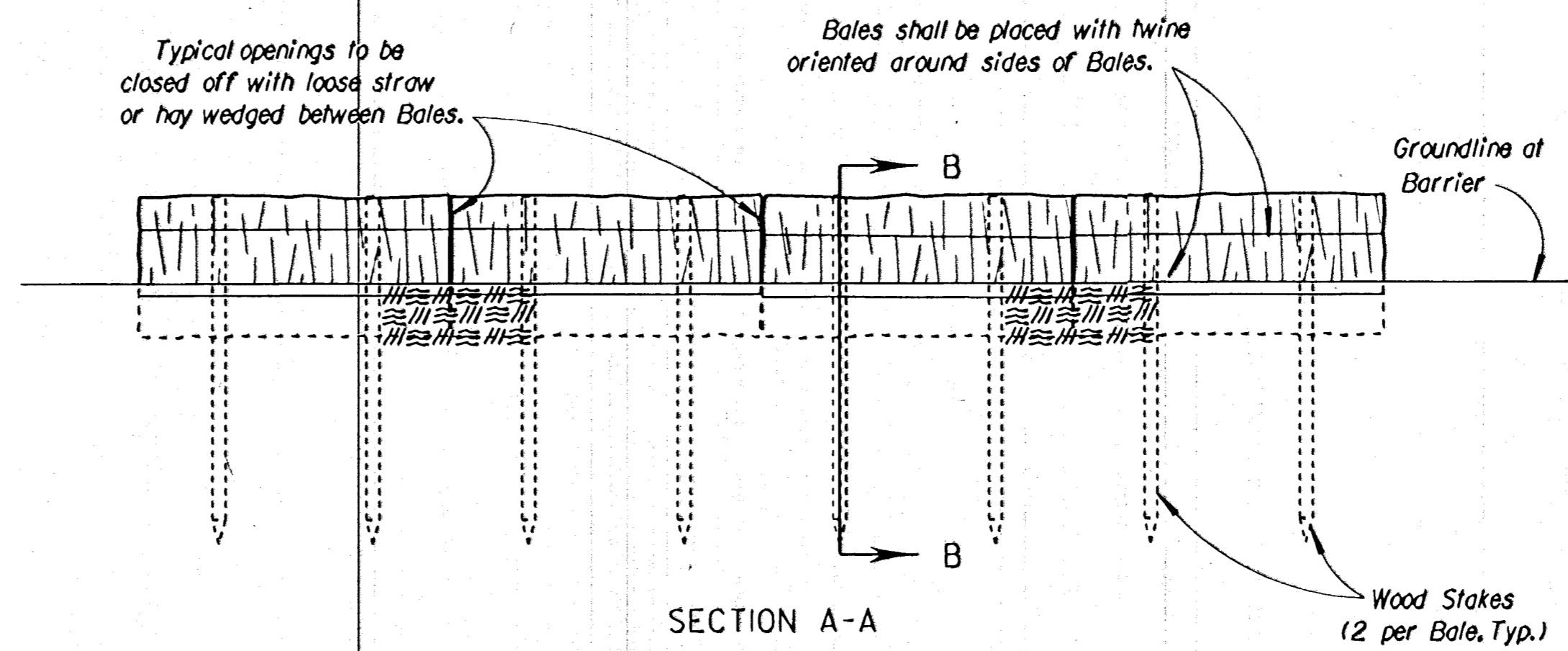
—□—□—□— Straw or Hay Bale Barrier

GENERAL NOTES

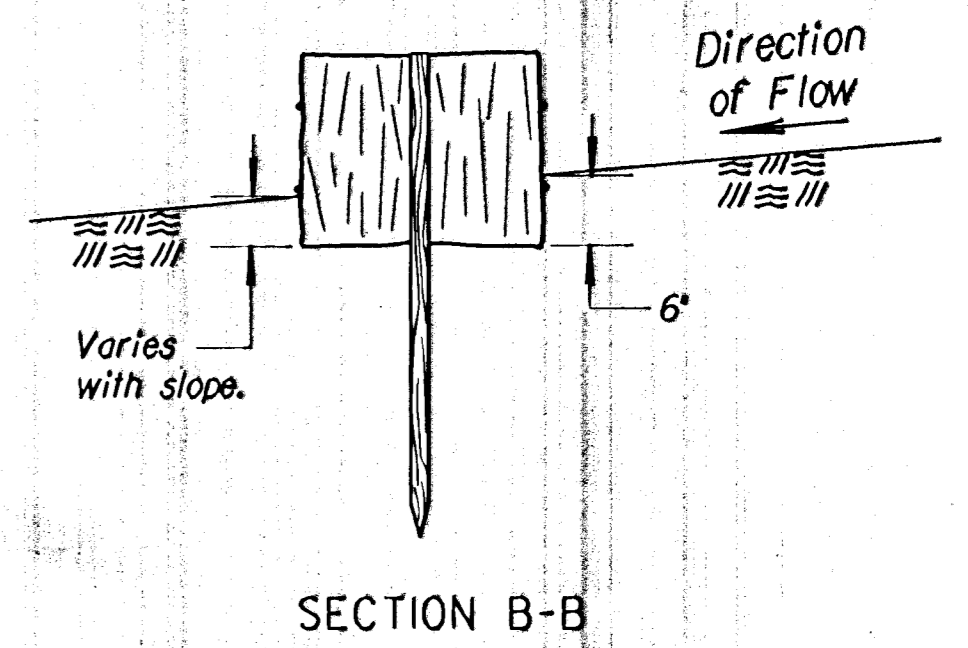
- 1) The usage of Straw or Hay Bales or Silt Fence is at the option of the Contractor. The symbols shown in the Typical Plan shall in no way be interpreted nor implied as to the usage of Slope Barrier Types.
- 2) The slope barriers shall be placed along contour lines, with a short section turned up grade at each end of the barrier.
- 3) At culverts, the Straw or Hay Bales or Silt Fence shall be placed over the culvert, not through the streambed flowline.



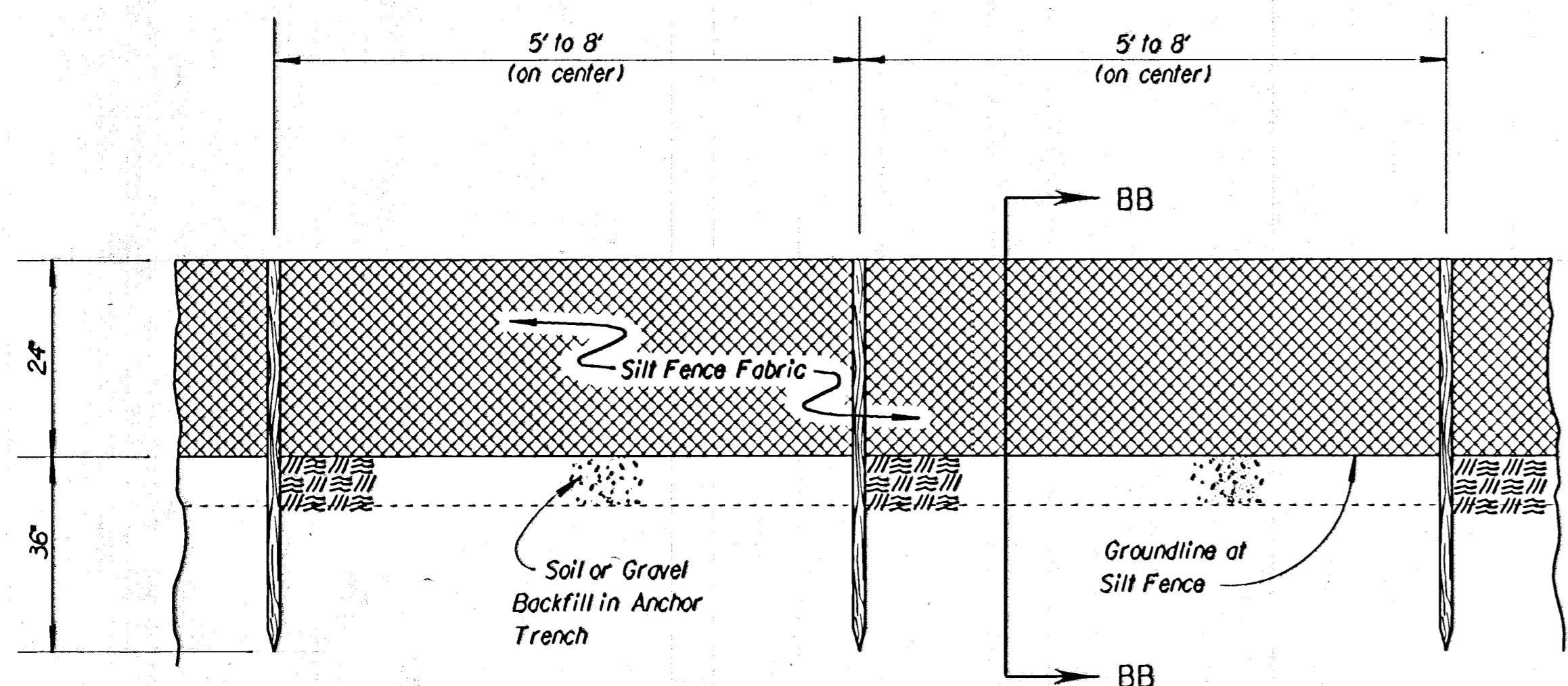
TYPICAL PLAN
NO SCALE



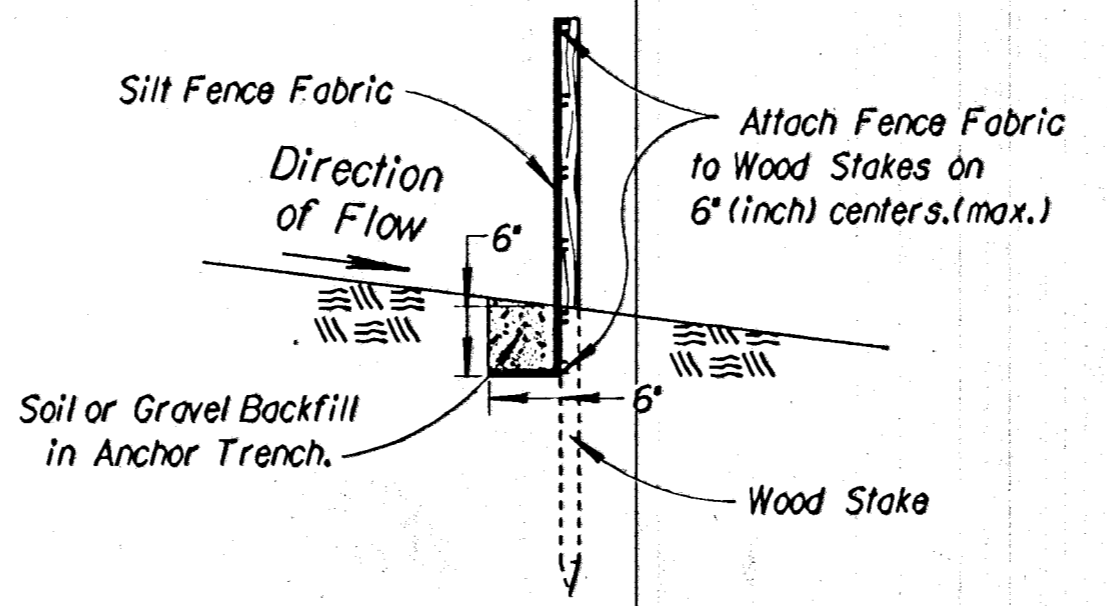
STRAW BALE SLOPE BARRIER
NO SCALE



SECTION B-B



SECTION AA-AA
SILT FENCE SLOPE BARRIER
NO SCALE



SECTION BB-BB

| 3 | | | | | |
|-----|------|-----------|----|-------|--|
| 2 | | | | | |
| 1 | | | | | |
| NO. | DATE | REVISIONS | BY | APP'D | |

KANSAS DEPARTMENT OF TRANSPORTATION
TEMPORARY PROJECT WATER POLLUTION CONTROL
STRAW OR HAY BALE SLOPE BARRIERS
SILT FENCE SLOPE BARRIERS
STD. NO. LA852D

DESIGNER: [] CHECKER: [] QUANTITY: [] APP'D: []
 DRAWN BY: [] DATE: [] YEAR: []
 TRACER: []

ross /usr5/ross/ref/sids/10852d.dgn
 5-SEP-1995 10:32
 View= PLOT 1