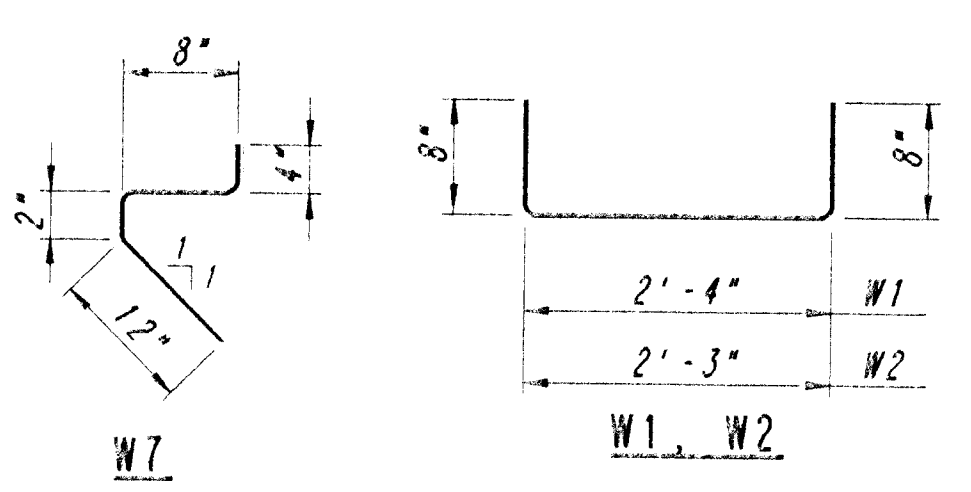
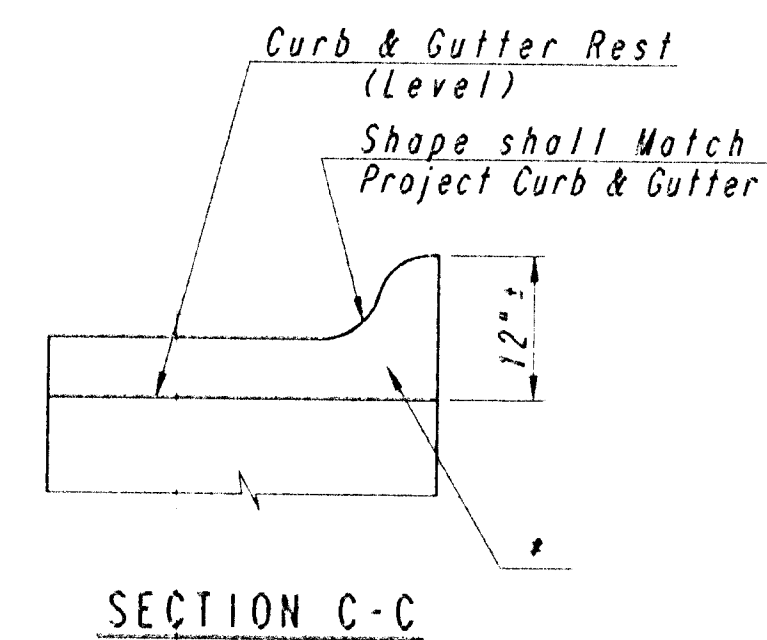


INLET AND PIPE SCHEDULE									
INLET NO.	LOCATION			H	PIPE			REMARKS	
	N	E			SIZE	OUT	IN		LENGTH
1439	9388.090	12521.135	5.0'	15"	109.56	106.48	76		
1436	9444.057	12572.455	6.0'	15"	106.48	105.00	19		
1435	9453.712	12587.966	6.5'	15"	105.00	99.50	70	Manhole	
1434	9490.300	12647.680	—					End Section	
1438	9413.406	12591.930	3.5'	15"	109.00	106.48	41		
1435	9453.712	12587.966	6.5'	12"	109.58	108.42	74		
1454	9264.089	12481.381	3.5'	12"	108.42	107.36	48	Connect to Existing 12" S.D.	
1458	9262.556	12372.075	4.4'	8"	108.88	107.56	55	Prefabricated Area Inlet to be NDS Super Speed Basin and Grate (12"x12"x20") or equal	
1455	9302.140	12333.900	1.67'						
1458	9262.556	12372.075	4.4'						



**BENDING DIAGRAMS**  
Dimensions are out to out of bars



**SECTION C-C**

CURB INLET				
LEGEND		DIMENSIONS		
H		3'-5"		
BILL OF MATERIALS				
BAR SYMBOLS	BAR SIZES	BAR TOTALS	BAR LENGTHS	
S1	#4	3	2'-5"	
S2	#4	3	2'-9"	
W1	#4	10	3'-8"	
W2	#4	10	3'-7"	
W3	#4	8	4'-2"	
W4	#4	4	4'-8"	
W5	#4	2	2'-4"	
W6	#4	4	1'-9"	
W7	#4	2	2'-2"	
TOTAL REINFORCING CONCRETE		104.2 LBS. 0.7 C.Y.		
INLET NO. 1438, 1454				

CURB INLET				
LEGEND		DIMENSIONS		
H		5'-0"		
BILL OF MATERIALS				
BAR SYMBOLS	BAR SIZES	BAR TOTALS	BAR LENGTHS	
S1	#4	3	2'-5"	
S2	#4	3	2'-9"	
W1	#4	12	3'-8"	
W2	#4	12	3'-7"	
W3	#4	8	5'-8"	
W4	#4	4	6'-2"	
W5	#4	2	2'-4"	
W6	#4	8	1'-9"	
W7	#4	2	2'-2"	
TOTAL REINFORCING CONCRETE		130.6 LBS. 1.0 C.Y.		
INLET NO. 1439				

CURB INLET				
LEGEND		DIMENSIONS		
H		6'-0"		
BILL OF MATERIALS				
BAR SYMBOLS	BAR SIZES	BAR TOTALS	BAR LENGTHS	
S1	#4	3	2'-5"	
S2	#4	3	2'-9"	
W1	#4	14	3'-8"	
W2	#4	14	3'-7"	
W3	#4	8	6'-8"	
W4	#4	4	7'-2"	
W5	#4	2	1'-1"	
W6	#4	8	1'-9"	
W7	#4	2	2'-2"	
TOTAL REINFORCING CONCRETE		148.3 LBS. 1.2 C.Y.		
INLET NO. 1436				

CURB INLET				
LEGEND		DIMENSIONS		
H		3'-5"		
BILL OF MATERIALS				
BAR SYMBOLS	BAR SIZES	BAR TOTALS	BAR LENGTHS	
S1	#4	3	2'-5"	
S2	#4	3	2'-9"	
W1	#4	10	3'-8"	
W2	#4	10	3'-7"	
W3	#4	8	4'-2"	
W4	#4	4	4'-8"	
W5	#4	2	2'-4"	
W6	#4	8	1'-9"	
W7	#4	2	2'-2"	
TOTAL REINFORCING CONCRETE		108.9 LBS. 0.7 C.Y.		
INLET NO. 1456				

CURB INLET				
LEGEND		DIMENSIONS		
H		4'-4"		
BILL OF MATERIALS				
BAR SYMBOLS	BAR SIZES	BAR TOTALS	BAR LENGTHS	
S1	#4	3	2'-5"	
S2	#4	3	2'-9"	
W1	#4	10	3'-8"	
W2	#4	10	3'-7"	
W3	#4	8	5'-1"	
W4	#4	4	5'-7"	
W5	#4	2	2'-4"	
W6	#4	8	1'-9"	
W7	#4	2	2'-2"	
TOTAL REINFORCING CONCRETE		116.1 LBS. 0.9 C.Y.		
INLET NO. 1458				

**INLET NOTES**

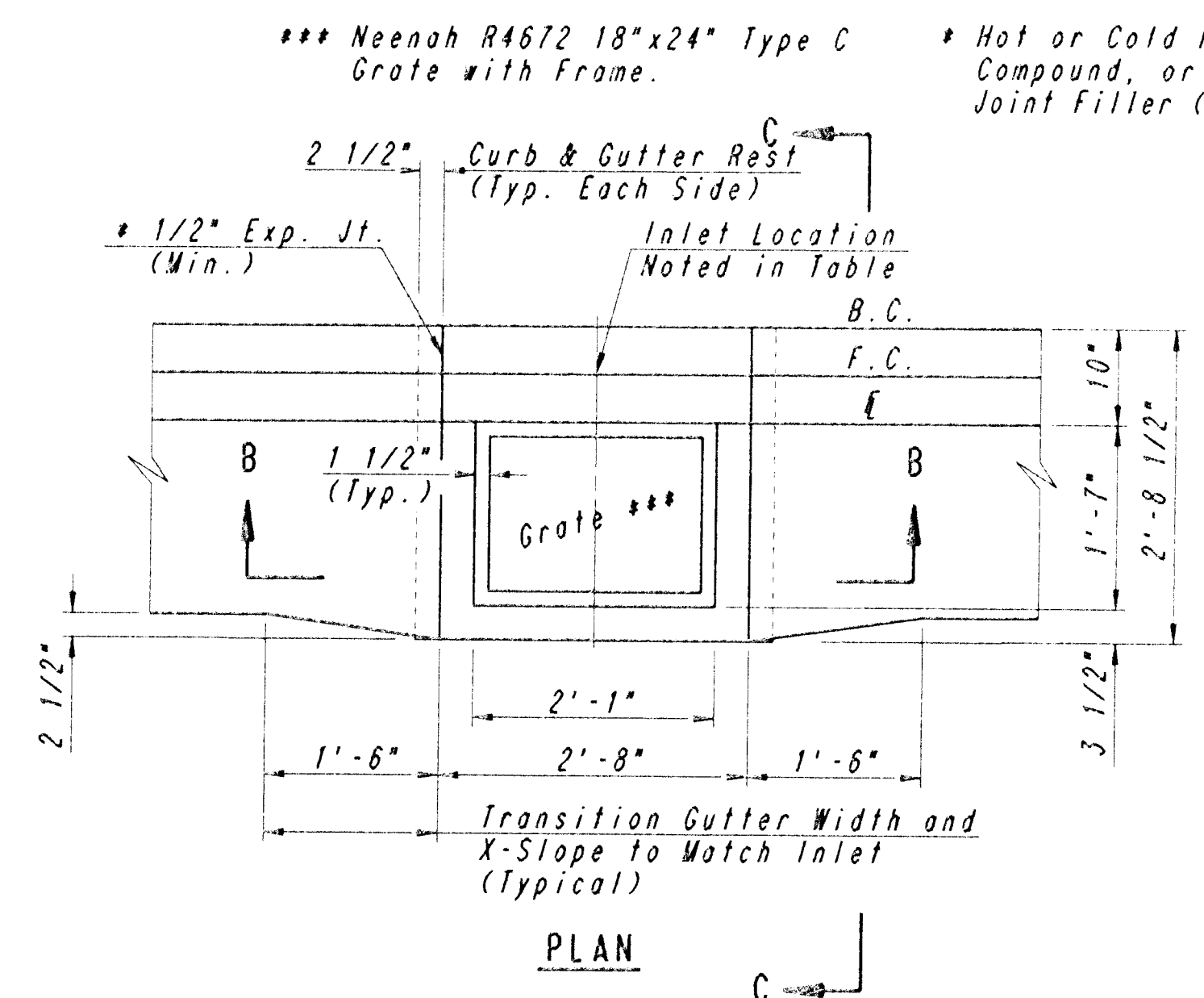
**CONCRETE:** CONCRETE SHALL BE AS PER CITY OF WICHITA STANDARD SPECIFICATIONS FOR CONCRETE PAVING MIX EXCEPT THAT IT SHALL HAVE A MINIMUM 28 DAY COMPRESSIVE STRENGTH OF 3,000 P.S.I. ALL PIPES SHALL BE FLUSH CUT PRIOR TO BEING CAST INTO THE INLET.

**REINFORCING STEEL:** ALL DIMENSIONS RELATIVE TO REINFORCING STEEL ARE TO CENTERLINE OF BAR UNLESS OTHERWISE NOTED. ALL REINFORCING STEEL SHALL CONFORM TO A.S.T.M. DESIGNATION A615 GRADE 60. BAR BENDING AND DIMENSIONS SHALL BE AS SHOWN AND NOTED ON THE BAR BENDING DIAGRAMS. THE CONCRETE COVER FOR ALL REINFORCING SHALL BE A MINIMUM OF 1 1/2" UNLESS OTHERWISE NOTED. CUT AND/OR BEND REINFORCING TO CLEAR OPENINGS.

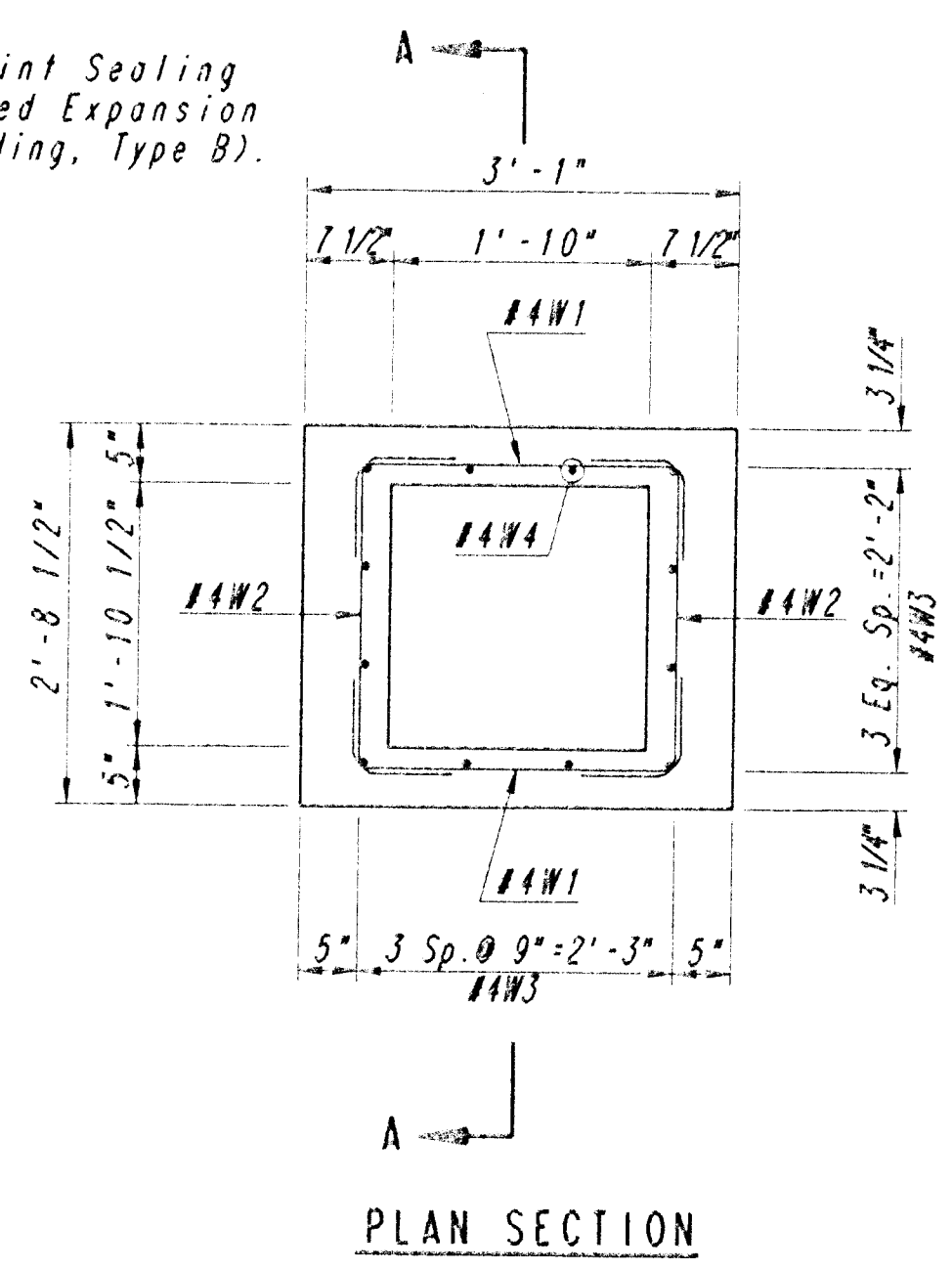
**SHAPING:** INLET INVERT SHALL BE SHAPED WITH 8 SACK SAND MIX CONCRETE TO CREATE FLOW CHANNELS AND TO INCREASE HYDRAULIC EFFICIENCY SUCH THAT THE INLET WILL BE SELF CLEANING BETWEEN ALL INLET AND/OR OUTLET PIPES.

**FRAME AND GRATE:** VERIFY OUTSIDE DIMENSIONS OF FRAME PRIOR TO FORMING THE INLETING.

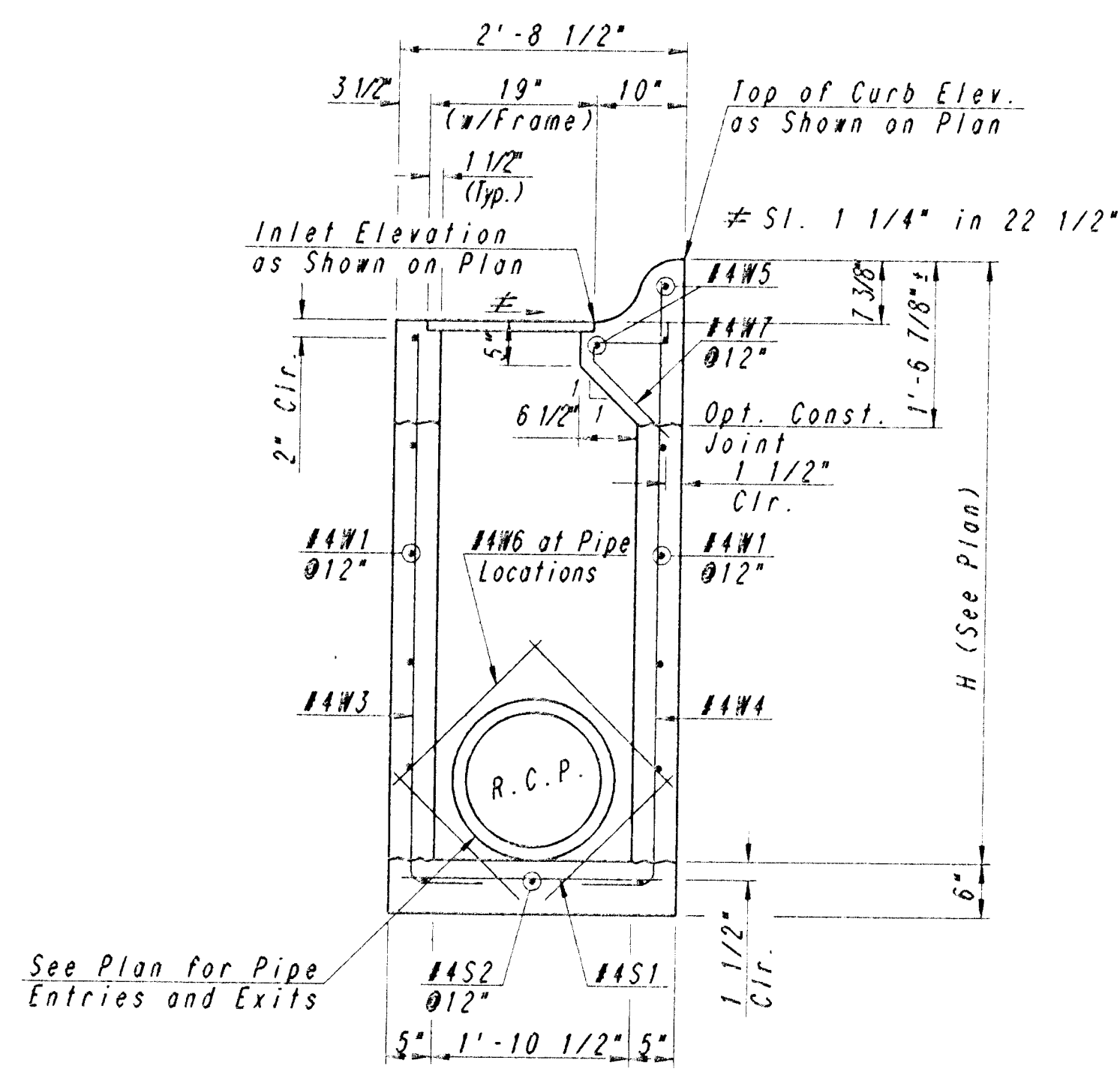
**PAYMENT:** A DEDUCTION IN CONCRETE QUANTITIES HAS NOT BEEN MADE FOR THE PIPE OPENING. THE "CURB INLET" SHALL BE PAID FOR AT THE UNIT PRICE BID PER EACH IN PLACE INCLUDING CONCRETE, REINFORCING STEEL, EXCAVATION, FRAME, GRATE AND ALL OTHER MISCELLANEOUS MATERIALS, LABOR, TOOLS, EQUIPMENT, AND INCIDENTALS NECESSARY TO COMPLETE THE WORK. QUANTITIES SHOWN ARE FOR INFORMATION ONLY.



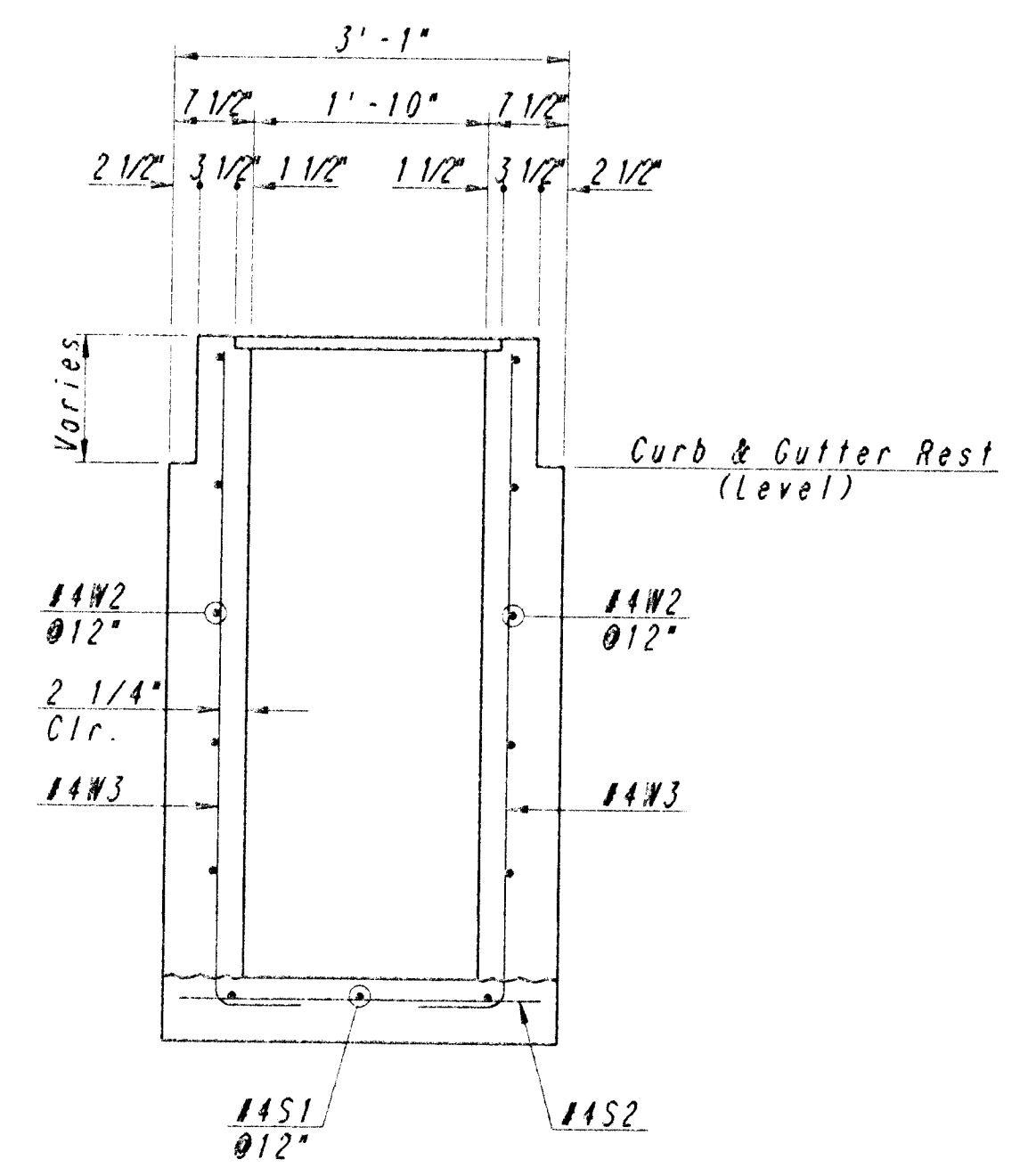
**PLAN**



**PLAN SECTION**



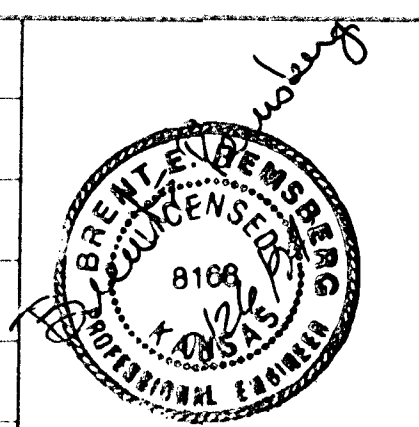
**SECTION A-A**



**SECTION B-B**

DRAWING NAME: 32-92005 IndianCircles  
 LOCATION: 04 4143  
 PROJECT COORDINATOR:  
 DATE (LAST WORKED ON): SEPT. 27, 1994  
 BRENT REMBERG

REV.	DATE	DESCRIPTION



HELLMUTH, OBATA & KASSEBAUM, INC.  
 DALLAS, TEXAS  
 PROFESSIONAL ENGINEERING  
 CONSULTANTS, P.A.  
 WICHITA, KANSAS  
 BRAD J. GOLDBERG  
 DALLAS, TEXAS

**MID-AMERICA  
 ALL-INDIAN CENTER  
 CITY OF WICHITA, KANSAS**

**GUTTER INLET DETAILS**

PROJECT NO.	ISSUE DATE	SCALE	SHEET
		NO SCALE	U2