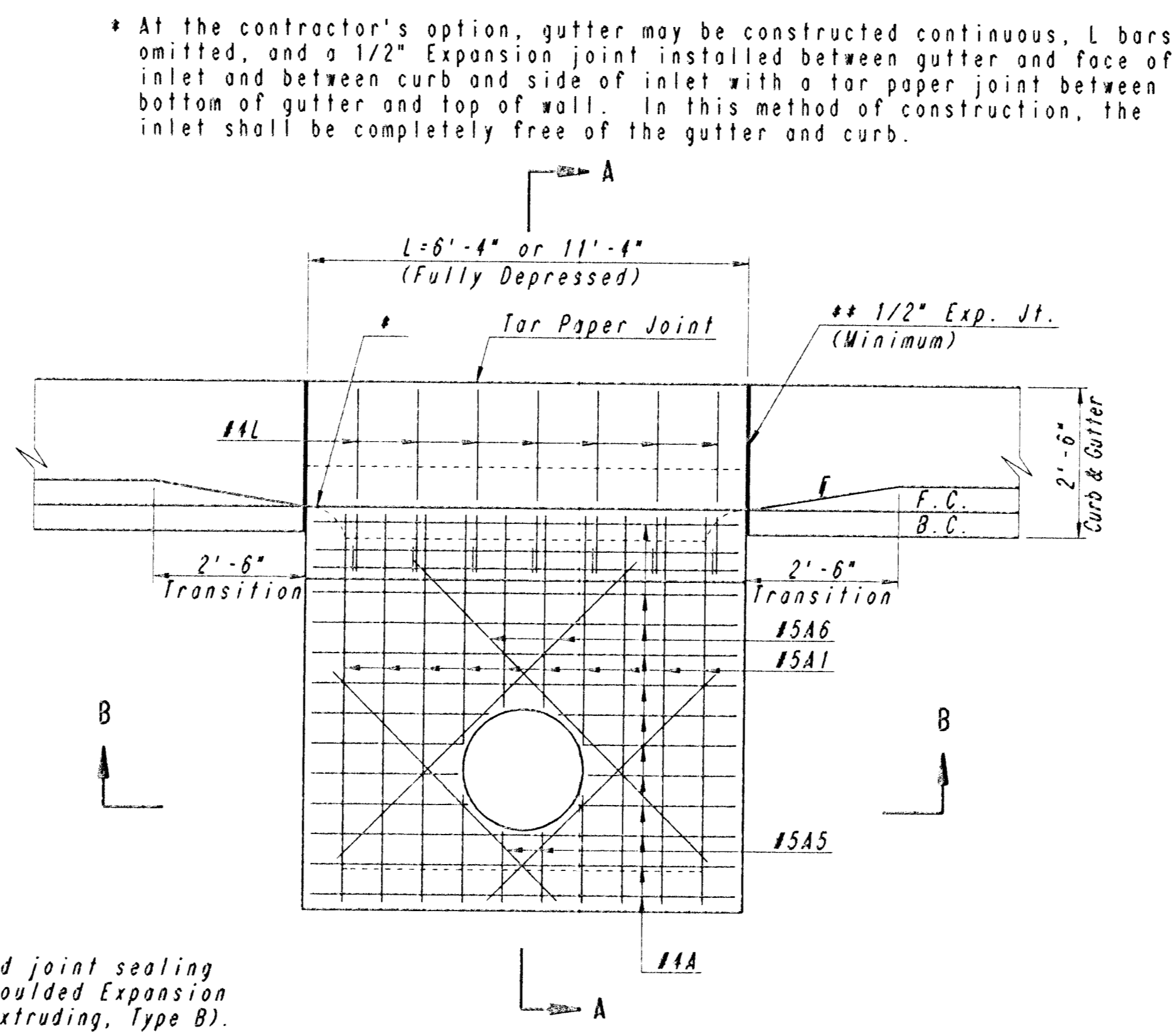
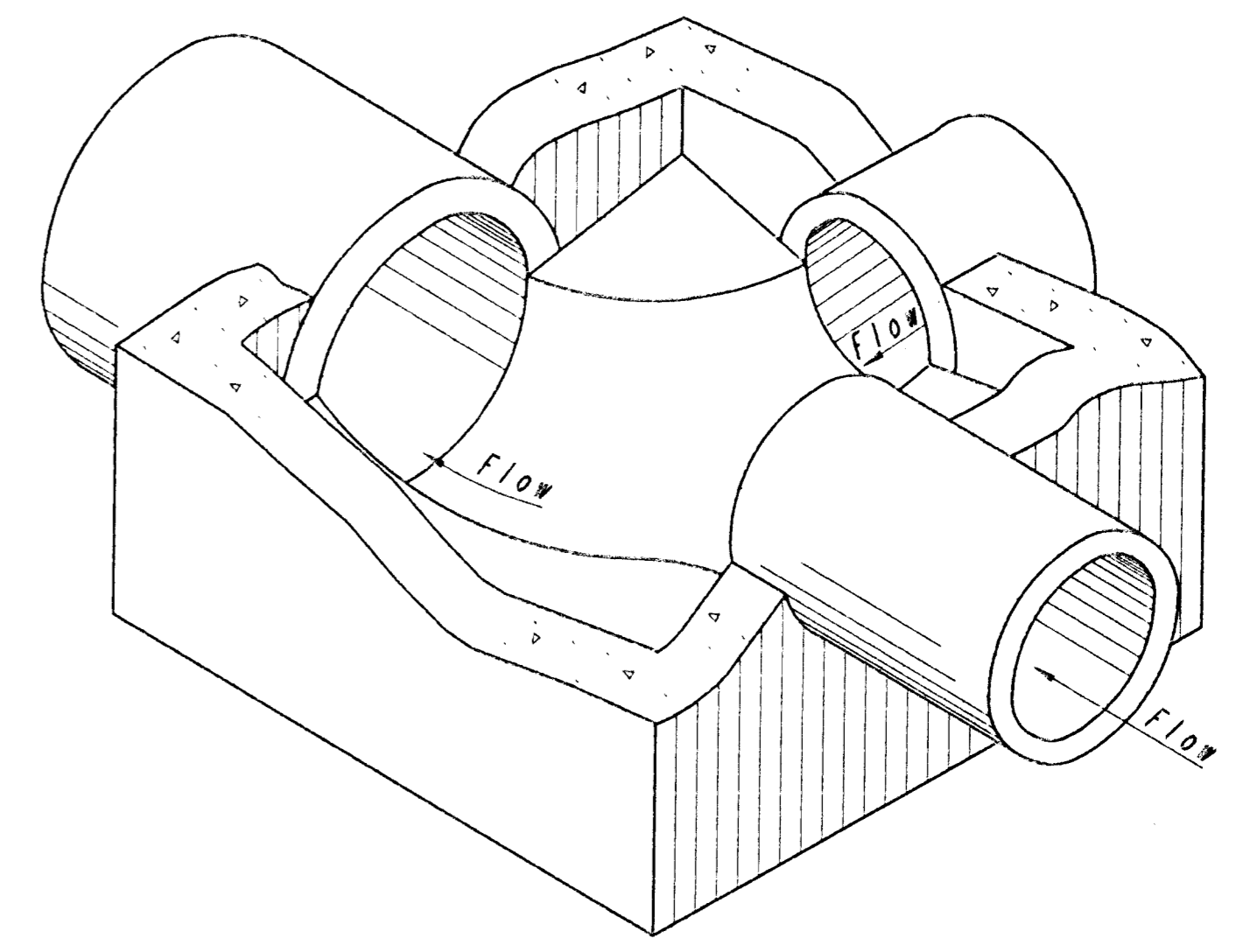


SECTION A-A



PLAN

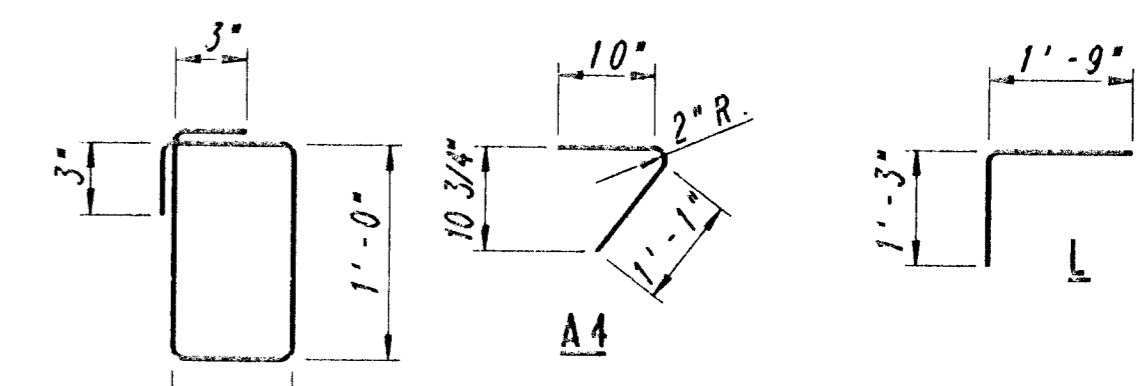


ISOMETRIC VIEW
Floor of Manhole shall be shaped as shown to increase hydraulic efficiency.

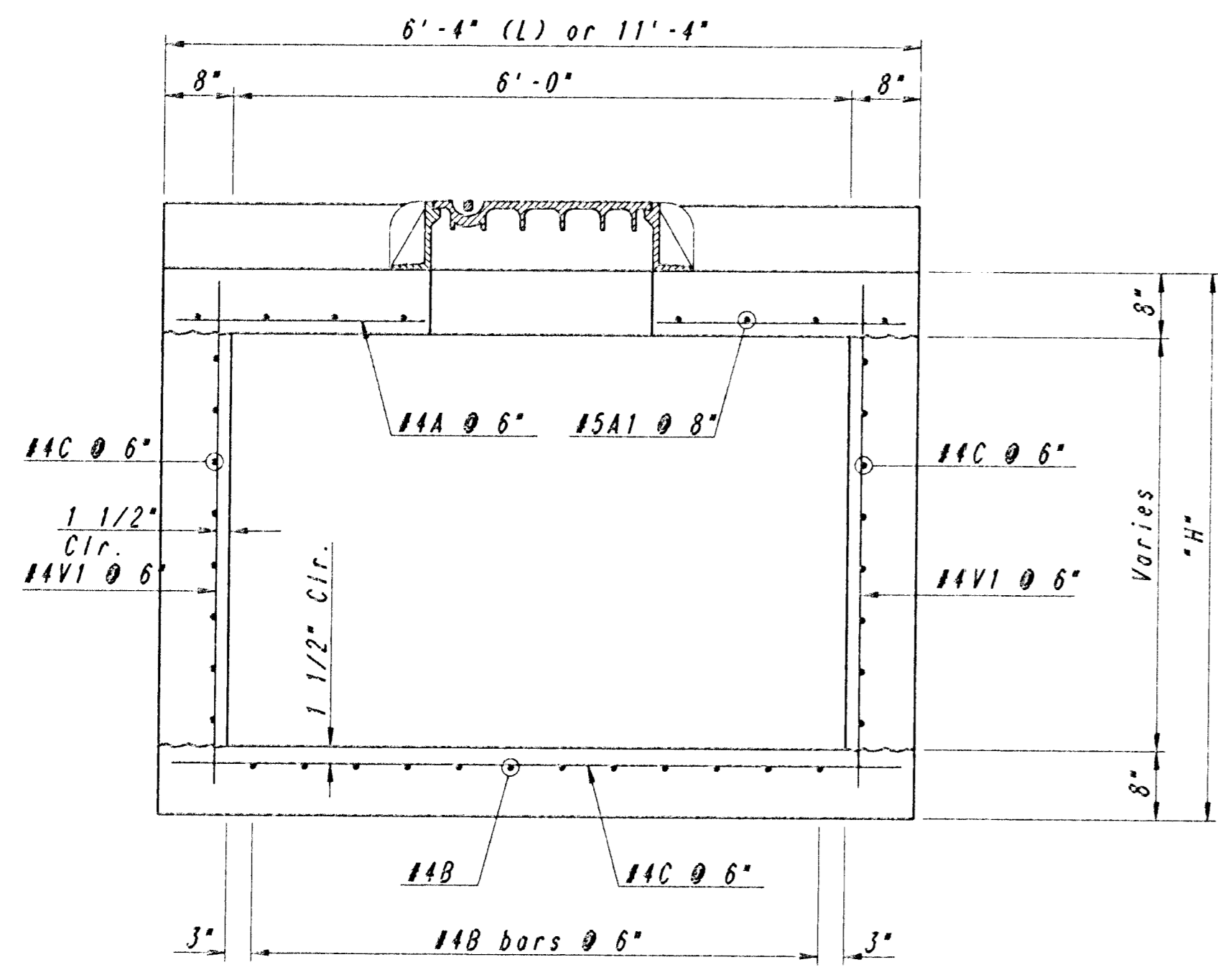
** Hot or cold poured joint sealing compound, or preformed Expansion Joint Filler (Non-extruding, Type B).

Note:
Transition gutter from normal depth of 6" to 9" at inlet in 2'-6" Curb and gutter sections shall be shaped as shown where required by the installation of curb inlets. This work will be subsidiary to other bid items.

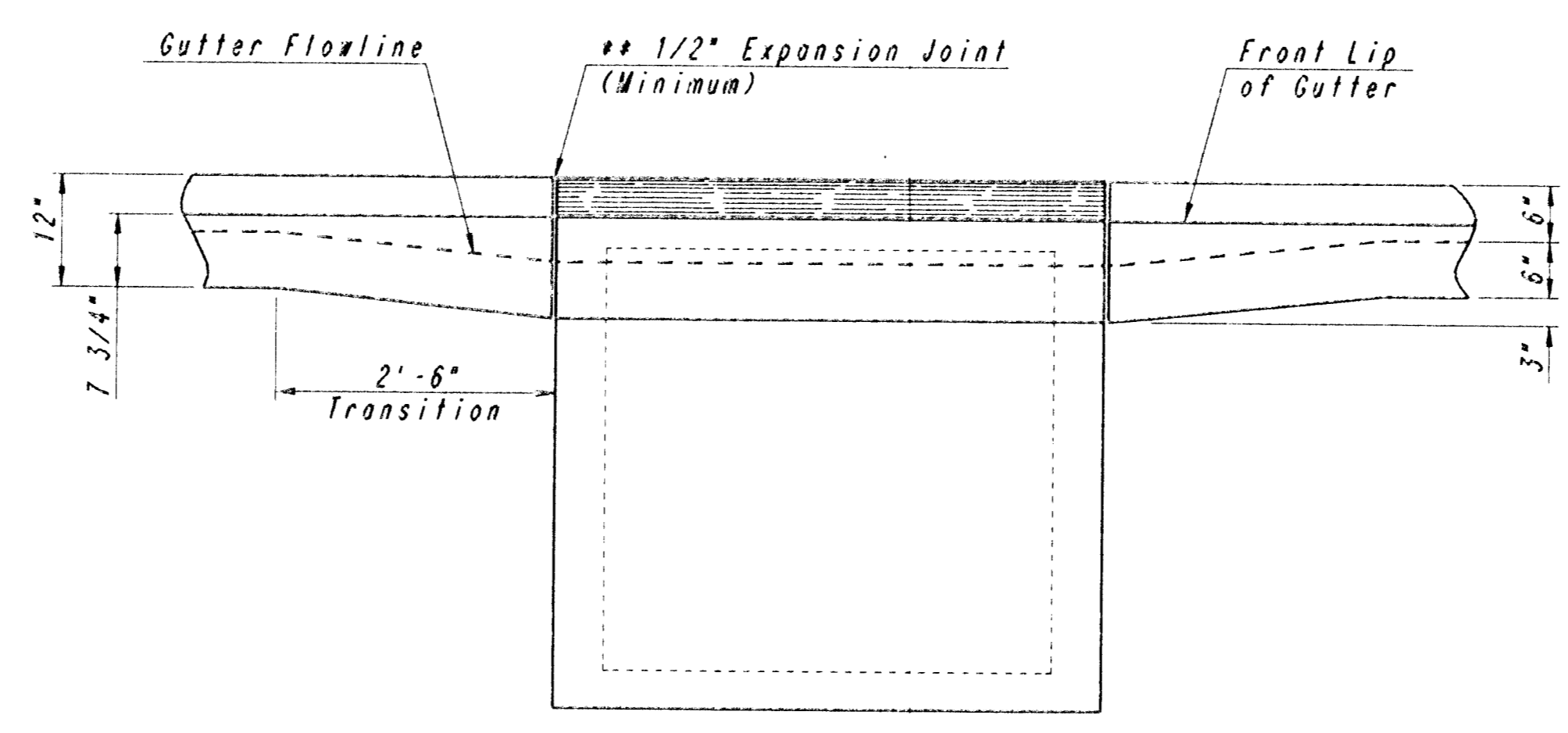
Note:
Reinforcing for L Bars is not included in the Reinforcing Steel Quantity and is Subsidiary to other Inlet items.



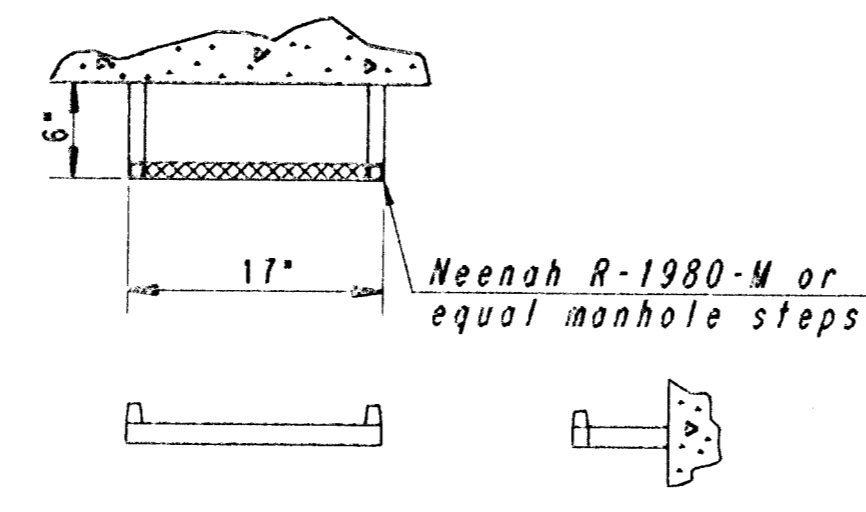
BENDING DIAGRAMS
Dimensions are out to out of bars



SECTION B-B



ELEVATION

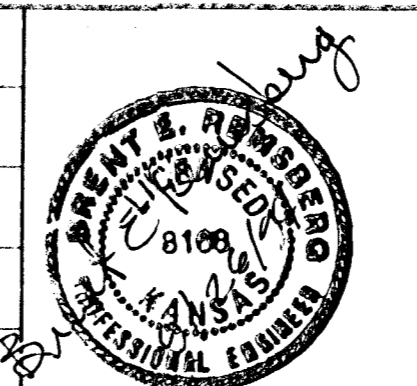


STEP DETAILS

GENERAL NOTES
Concrete- Bevel all exposed edges with a 3/4" triangular moulding or finish with an approved edging tool. Concrete shall be as per City of Wichita Standard Specifications for concrete paving mix except that it shall have a minimum 28 day compressive strength of 4000 P.S.I. All pipes shall be flush cut prior to be cast into walls. Reinforcing bars shall be bent or cut around pipes. All bars shall have a minimum clearance of 1 1/2" unless otherwise noted on the plans. All reinforcing shall conform to ASTM- A615 specification grade 60.
In general, pipes will enter and leave manhole at various positions. Where possible bend bars around pipes.
Floor of manhole to be shaped as shown in isometric view with unreinforced Class "A" Concrete.
Manhole opening and steps, where used, shall be placed to afford easy access to top of shaped invert. Reinforcing bars to be adjusted accordingly. See City of Wichita Standard Manhole Frame & Cover Detail Sheet for Manhole Cover Details.
No deductions in concrete quantities shall be made for pipe openings or additions to concrete quantities shall be made for shaping floor of manholes.
When so ordered by the Engineer, the top of the manhole shall be sloped slightly to approximately fit the ground line or other conditions.
Steps shall be installed in all storm sewer inlets when specified in the plans or when "H" is equal to or greater than six feet. Steps shall comply with City of Wichita Standard Specifications.

DRAWING NAME: 32-92005 Indianola/CHM
DRAWING NO: 44316
REVISIONS:
DATE LAST WORKED ON: AUG. 30, 1994
BRENT REMBERG

REV.	DATE	DESCRIPTION



HELLMUTH, OBATA & KASSEBAUM, INC
DALLAS, TEXAS
PROFESSIONAL ENGINEERING
CONSULTANTS, P.A.
WICHITA, KANSAS
BRAD J. GOLDBERG
DALLAS, TEXAS

MID-AMERICA
ALL-INDIAN CENTER
SITE IMPROVEMENTS
CITY OF WICHITA, KANSAS

SPECIAL CURB INLET/MANHOLE

PROJECT NO.	ISSUE DATE	SCALE (No Scale)	SHEET U3
-------------	------------	---------------------	-------------