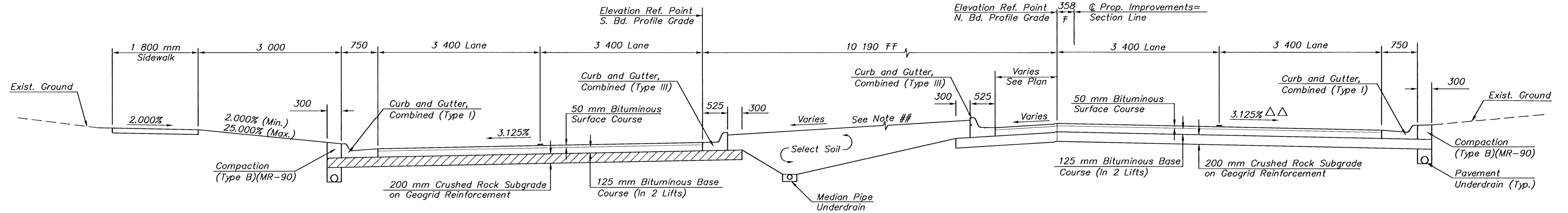


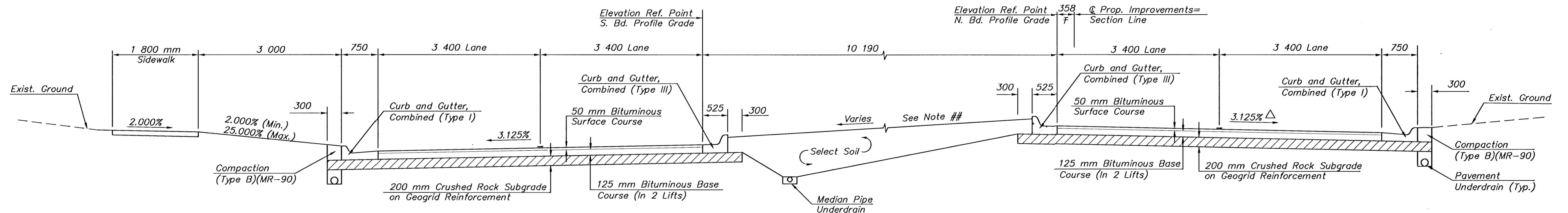
FF Width varies from 10 190 at Sta. 0+439.904 to 11 300 at Sta. 0+481.937



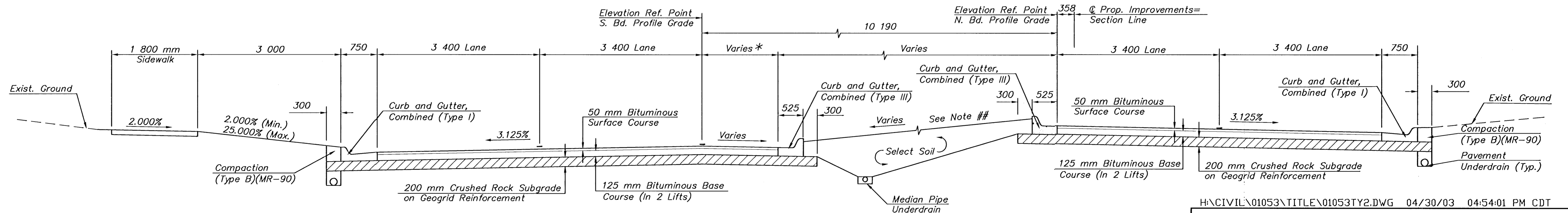
TYPICAL SECTION
Sta. 0+407.519 to Sta. 0+481.937

See Sh. No. 29-31 for improvements in the median above the curb line.

F Width varies from 358 mm at Sta. 0+402.181 to 412 mm at Sta. 0+439.904




TYPICAL SECTION
Sta. 0+313.156 to Sta. 0+407.519



TYPICAL SECTION
Sta. 0+292.702 to Sta. 0+313.156
*Lane width varies from 3 400 at Sta. 0+292.702 to 0 at Sta. 0+313.156

H:\CIVIL\01053\TITLE\01053TY2.DWG 04/30/03 04:54:01 PM CDT

 MKEC ENGINEERING CONSULTANTS 411 N. WEBB ROAD WICHITA, KS. 67206 316 - 684 - 9600	NORTH HILLSIDE STREET PAVING PLANS PROJECT NAME		
	TYPICAL SECTIONS SHEET TITLE		
	JRA DESIGN BY:	DPG DRAWN BY:	JRA CHECKED BY:
	APRIL 2003 DATE	01053 JOB NO.	4 / 73 SHEET/OF