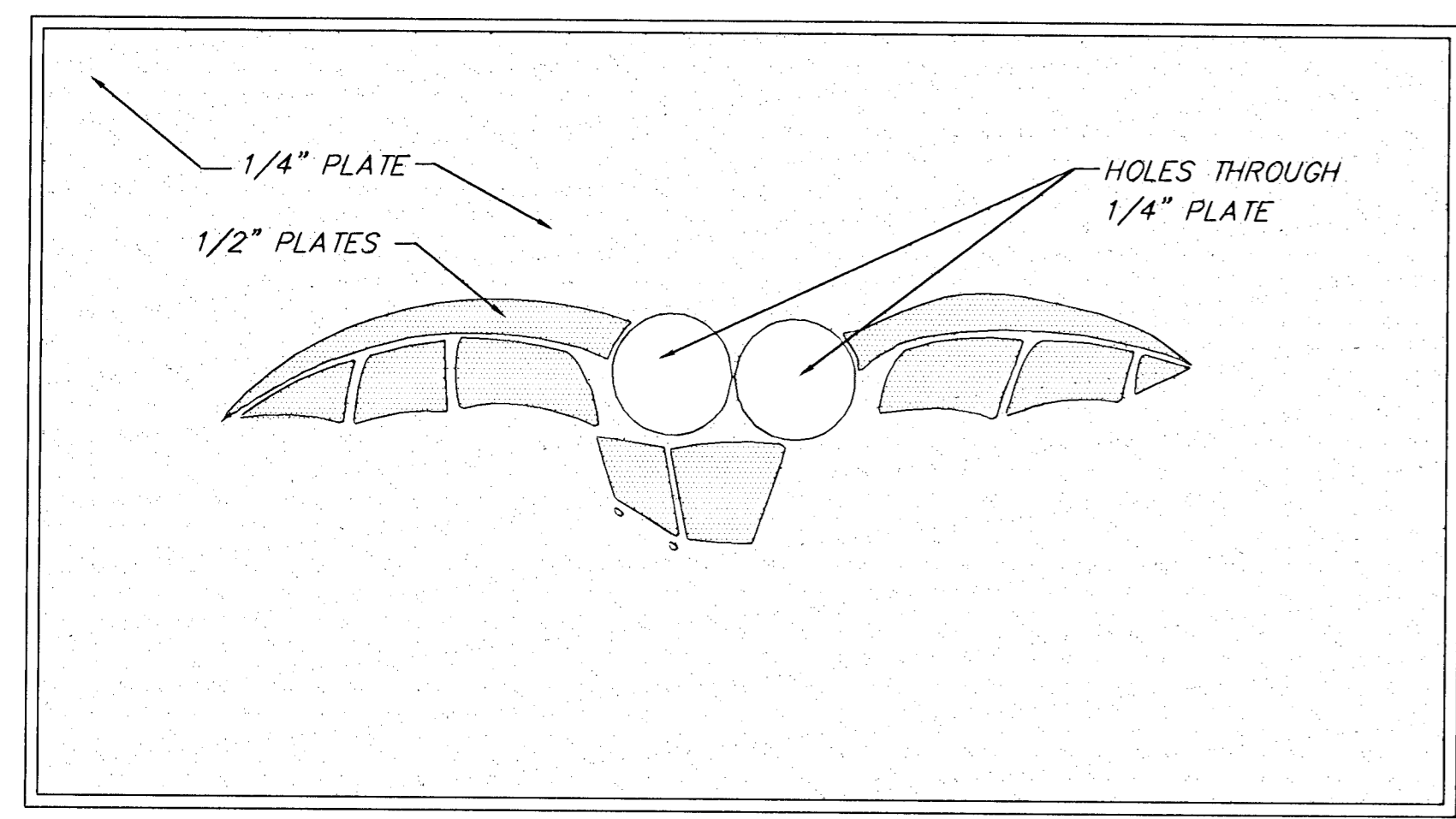
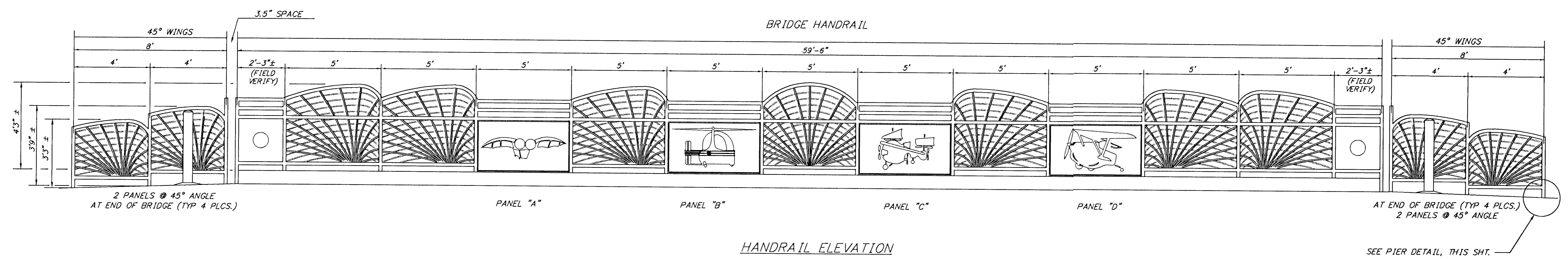
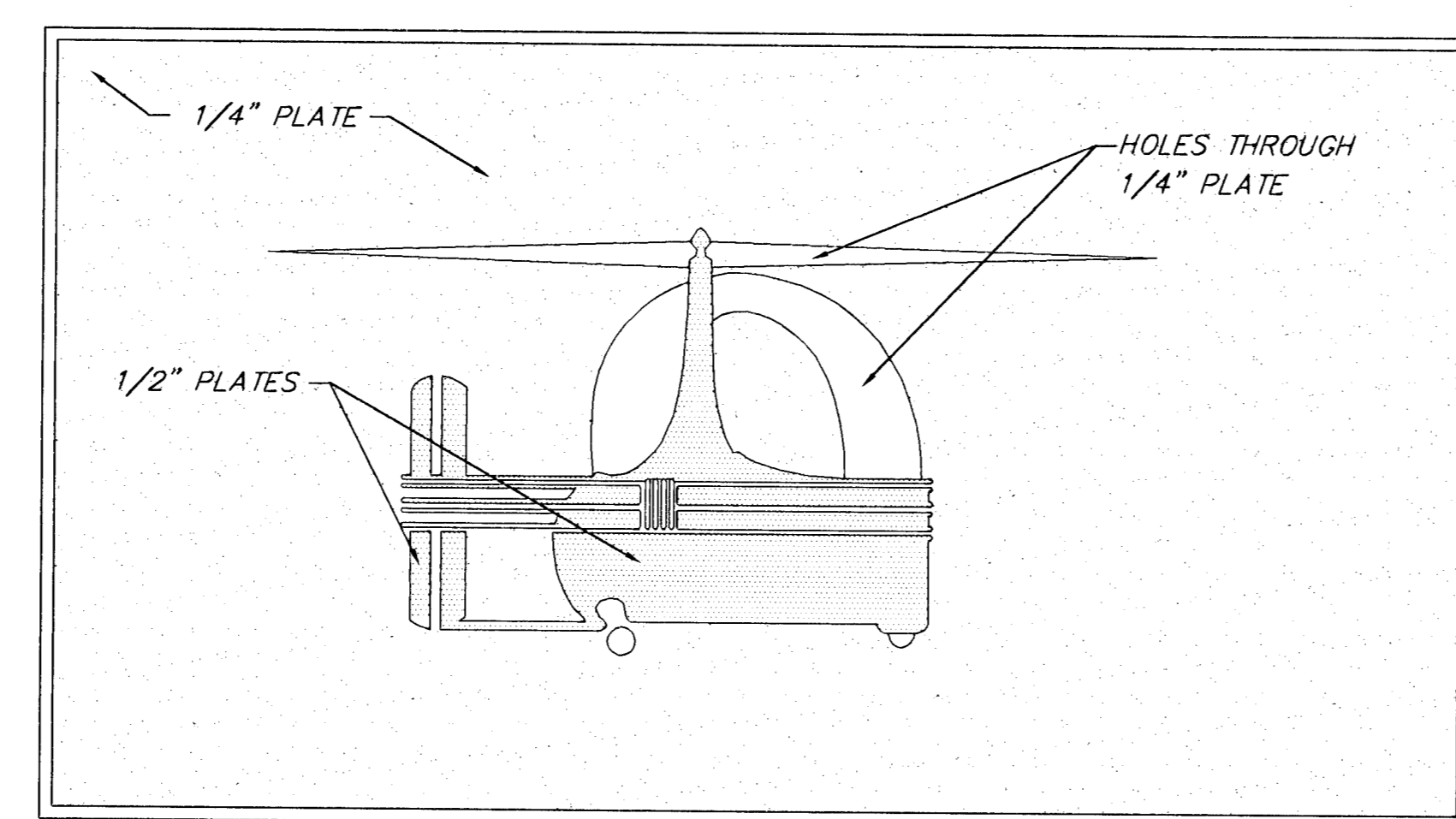


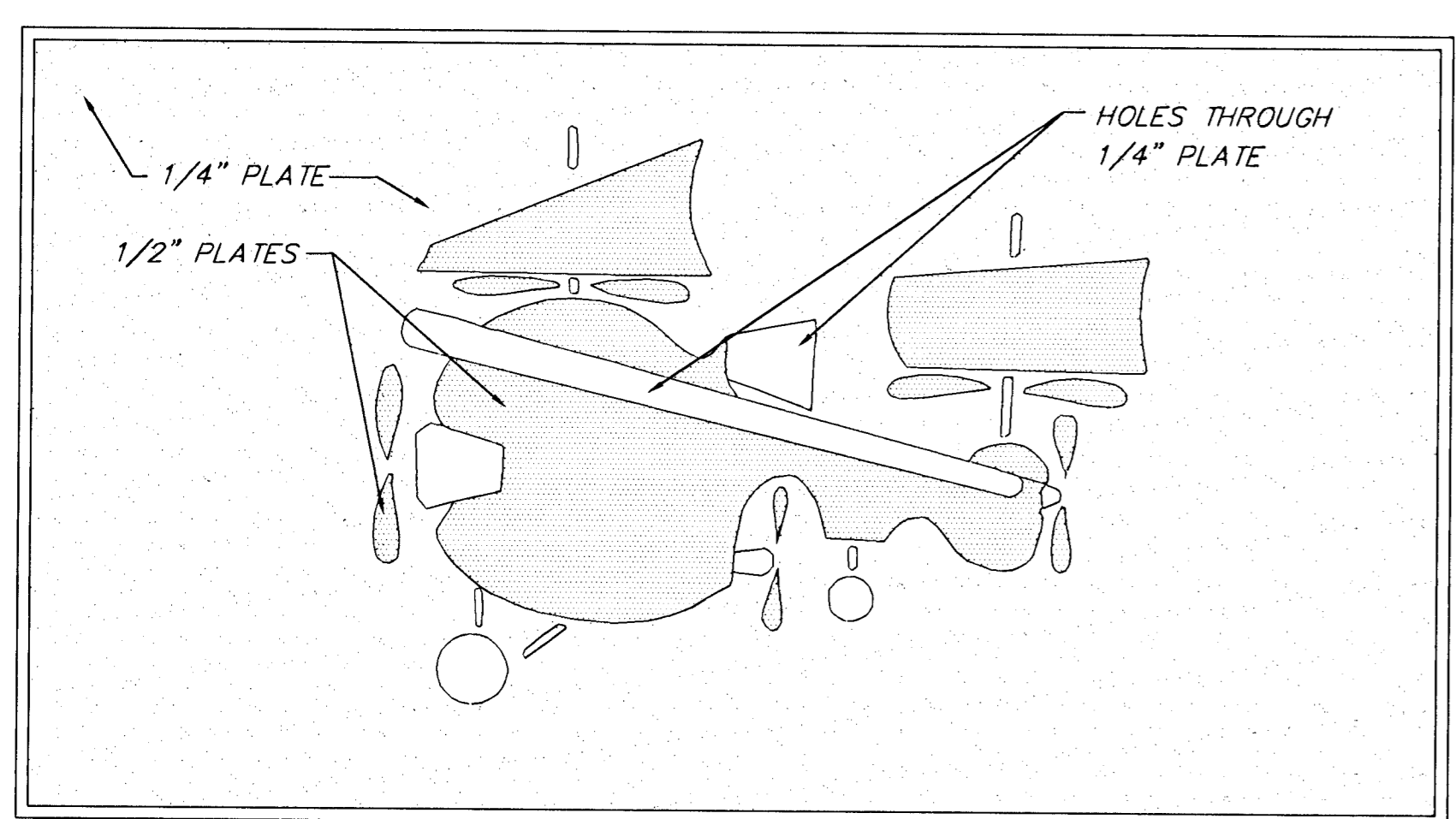
FHWA REGION NO.	STATE	PROJECT NO.	FISCAL YEAR	SHEET NO.	TOTAL SHEETS
7	KANSAS	87TE0074-01	1996	13	21



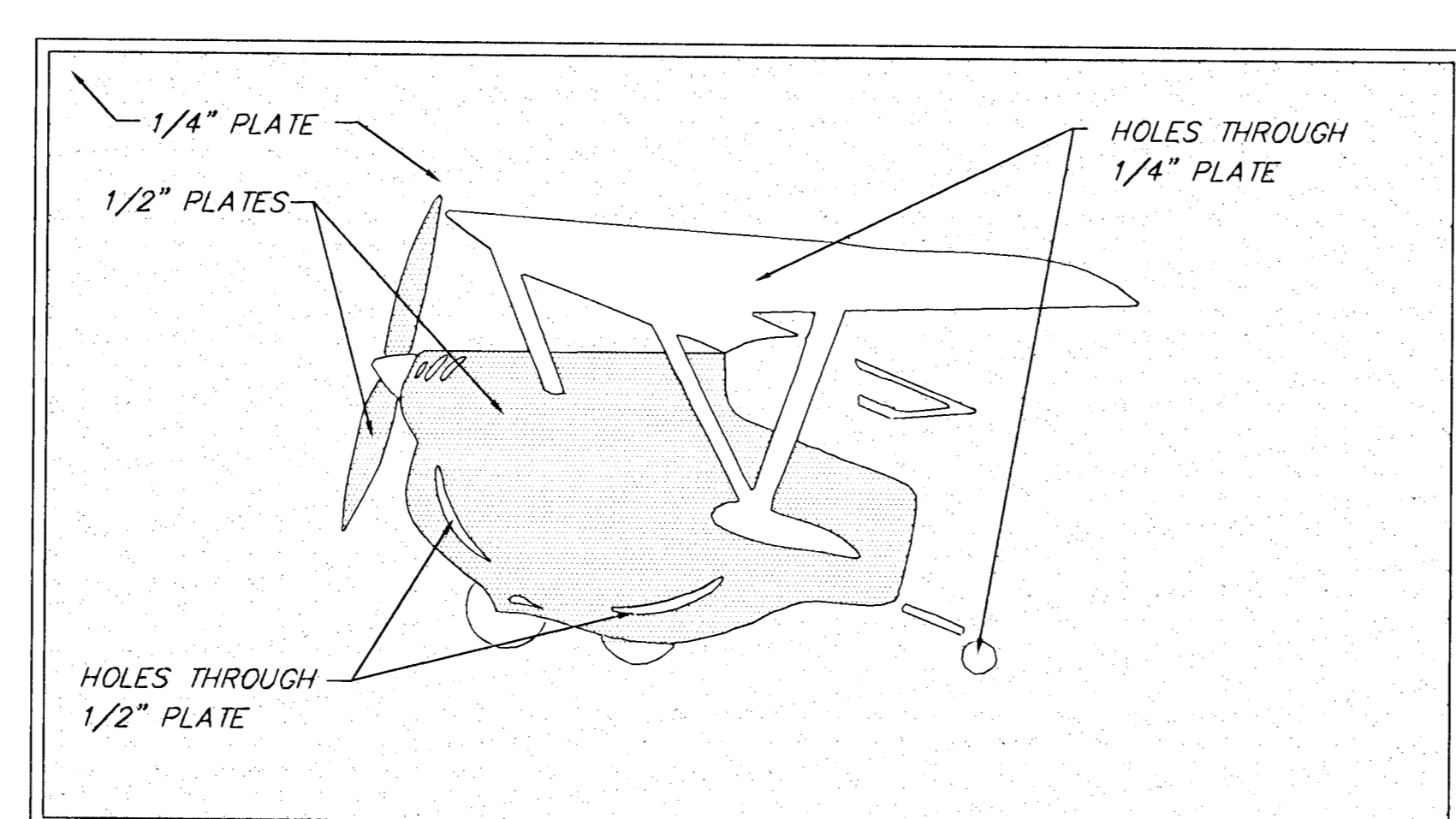
PANEL INSERT "A" DETAIL



PANEL INSERT "B" DETAIL

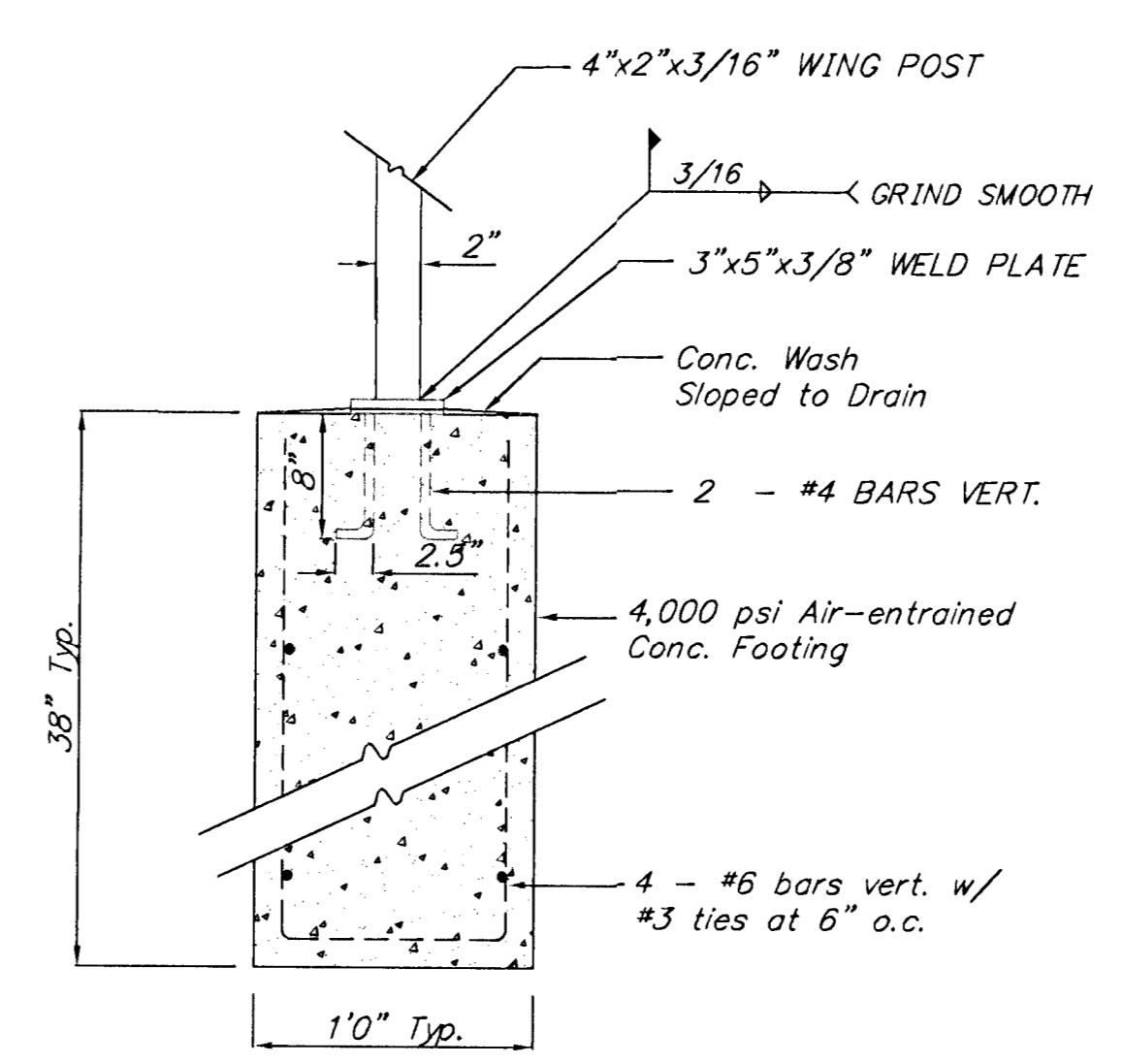


PANEL INSERT "C" DETAIL

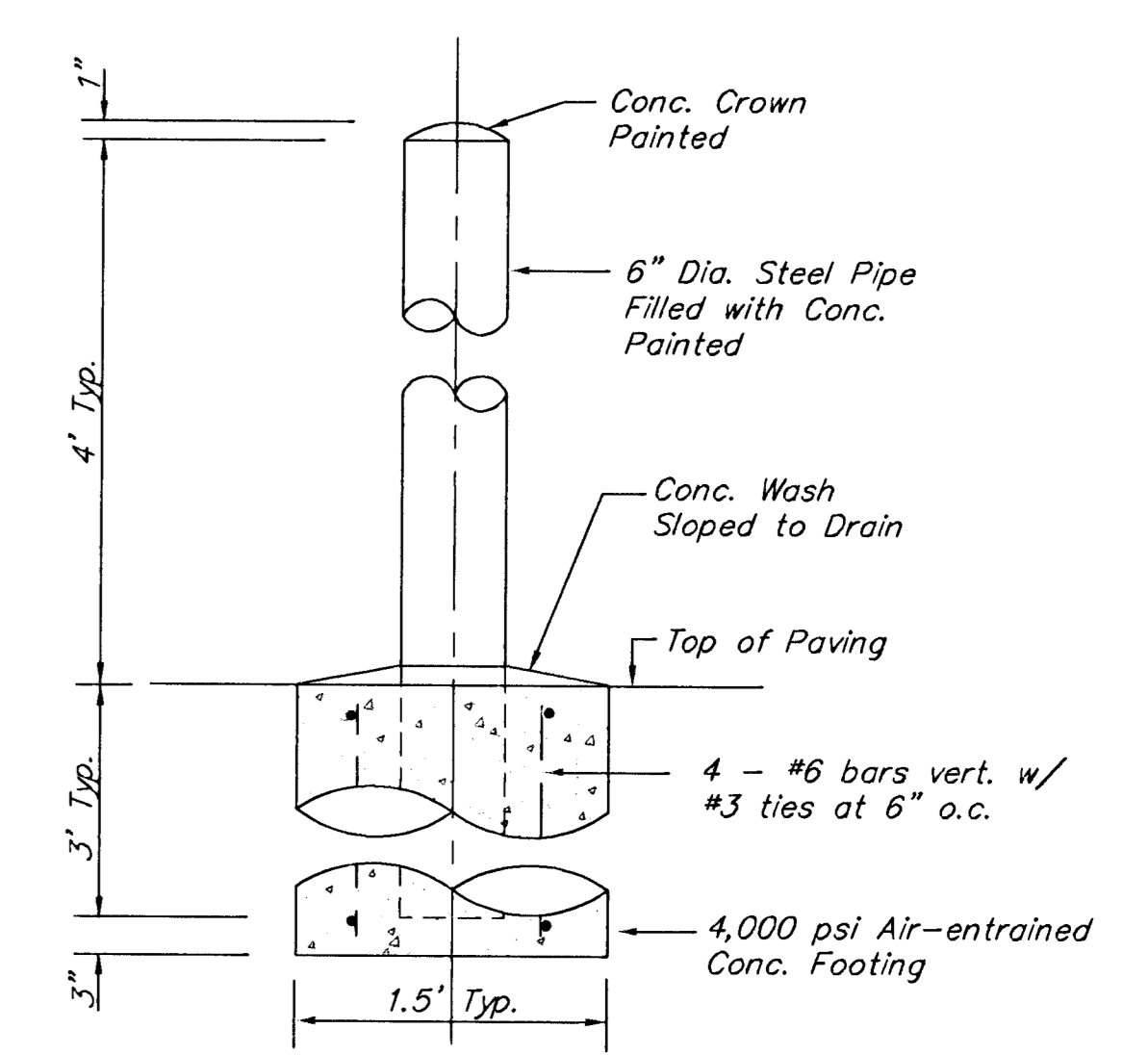


PANEL INSERT "D" DETAIL

NOTE:
FULL SCALE TEMPLATES TO
BE PROVIDED BY ARTIST.



TYP. CONCRETE PIER DETAIL
NOT TO SCALE



TYP. PIPE BOLLARD DETAIL
NOT TO SCALE

**GYPSON CREEK BICYCLE PATH
BRIDGE DETAILS**

BAUGHMAN COMPANY P. A.
ENGINEERING, SURVEYING, & PLANNING
316-262-7271 • 315 ELLIS • WICHITA, KANSAS 67211

PROJECT NUMBER
472-78-245-82654-000-000-001

DESIGN BAM	DRAWN BAM	APPROVED	DATE 4/96	SCALE NONE	SHEET 13
					21

95-10-E148
GYP2 BRIDGE3