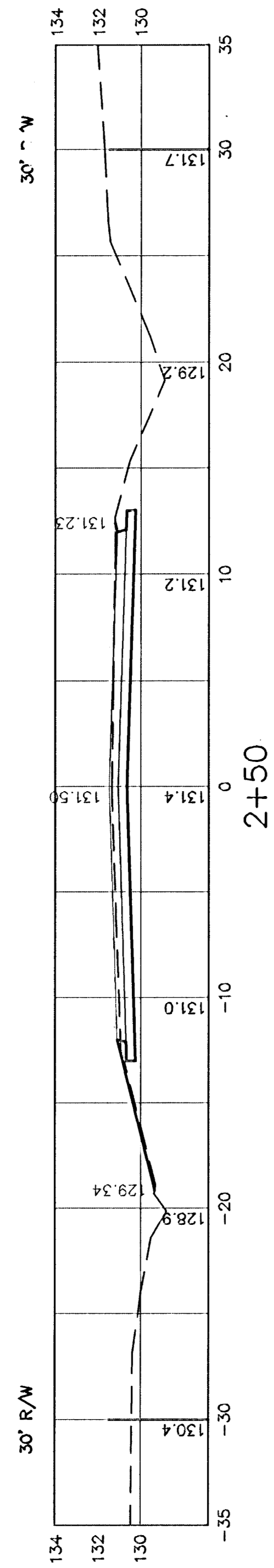


Cut Area: 19.10 ft<sup>2</sup>  
Fill Area: 2.81 ft<sup>2</sup>

3+00

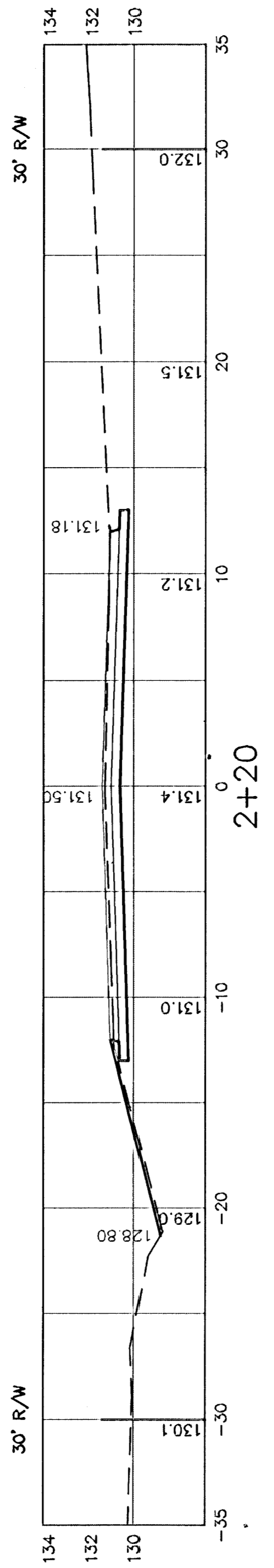
Cut Volume: 208.8 yds  
Fill Volume: 4.4 yds



Cut Area: 34.36 ft<sup>2</sup>  
Fill Area: 0.57 ft<sup>2</sup>

2+50

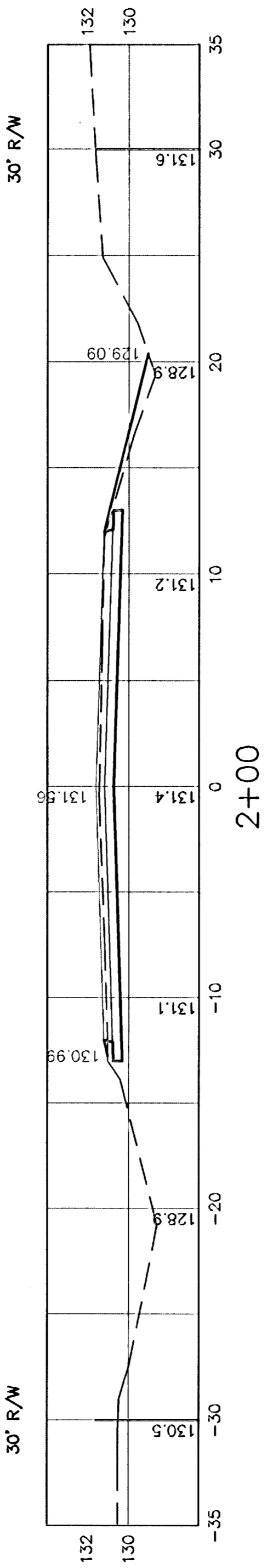
Cut Volume: 159.3 yds  
Fill Volume: 11.3 yds



Cut Area: 39.79 ft<sup>2</sup>  
Fill Area: 0.78 ft<sup>2</sup>

2+20

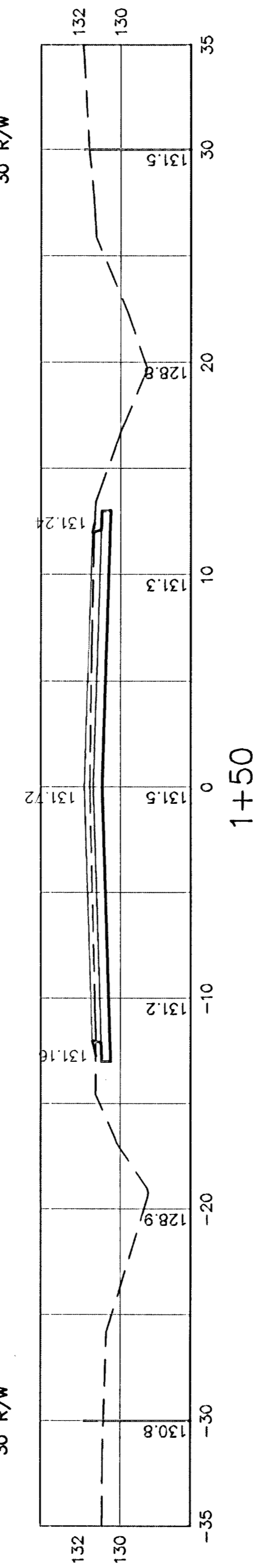
Cut Volume: 118.1 yds  
Fill Volume: 10.5 yds



Cut Area: 17.86 ft<sup>2</sup>  
Fill Area: 2.48 ft<sup>2</sup>

2+00

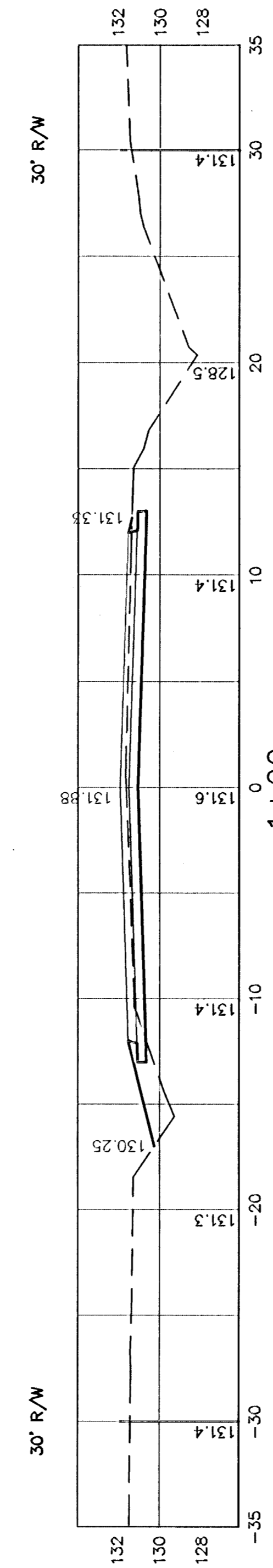
Cut Volume: 96.8 yds  
Fill Volume: 9.3 yds



Cut Area: 8.43 ft<sup>2</sup>  
Fill Area: 0.06 ft<sup>2</sup>

1+50

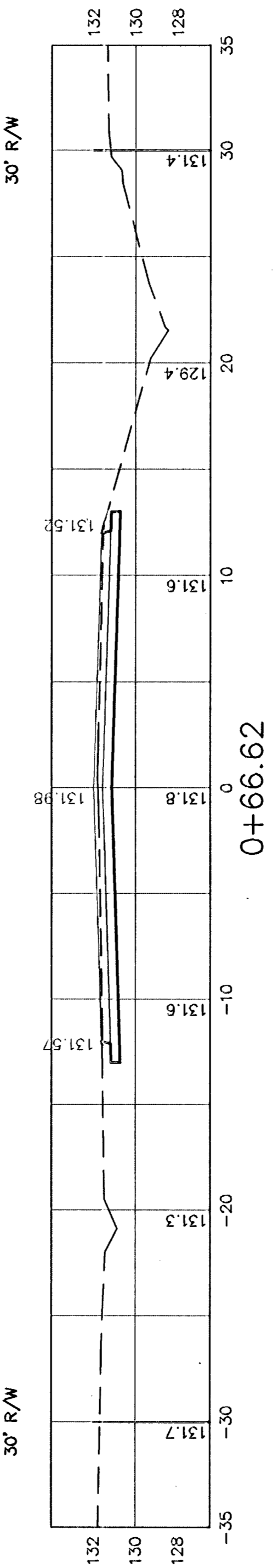
Cut Volume: 72.4 yds  
Fill Volume: 7.0 yds



Cut Area: 13.83 ft<sup>2</sup>  
Fill Area: 4.35 ft<sup>2</sup>

1+00

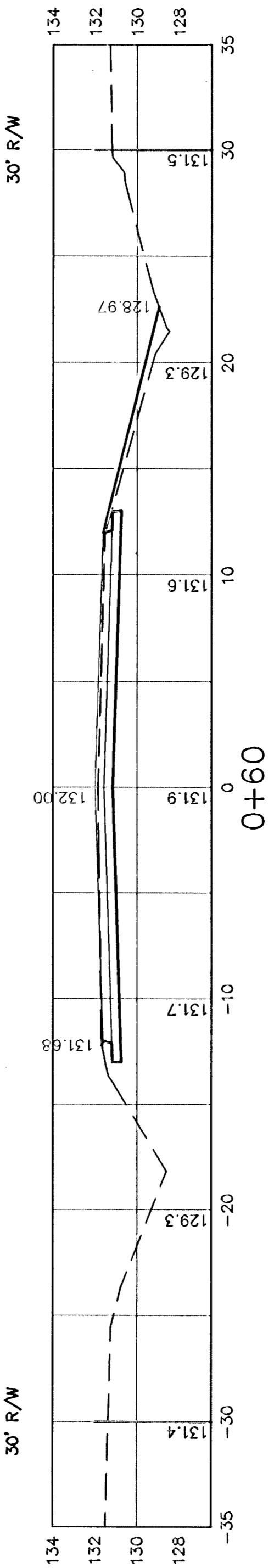
Cut Volume: 51.8 yds  
Fill Volume: 2.9 yds



Cut Area: 7.71 ft<sup>2</sup>  
Fill Area: 0.02 ft<sup>2</sup>

0+66.62

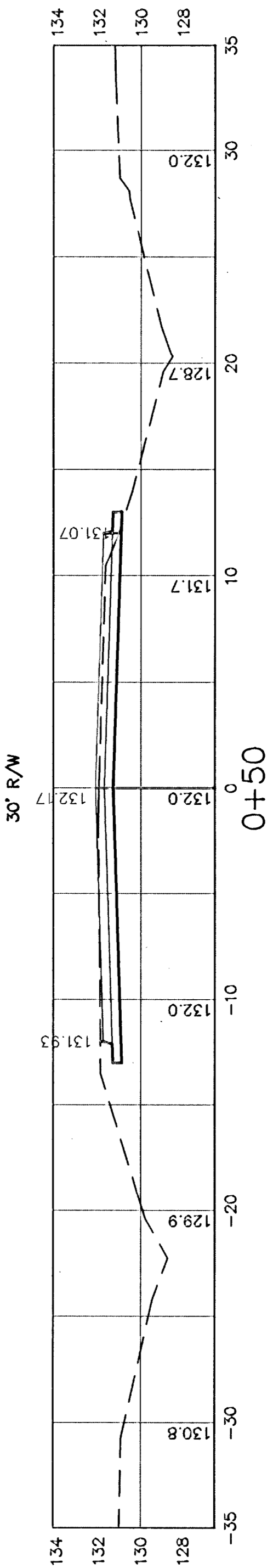
Cut Volume: 38.5 yds  
Fill Volume: 0.2 yds



Cut Area: 43.62 ft<sup>2</sup>  
Fill Area: 0.64 ft<sup>2</sup>

0+60

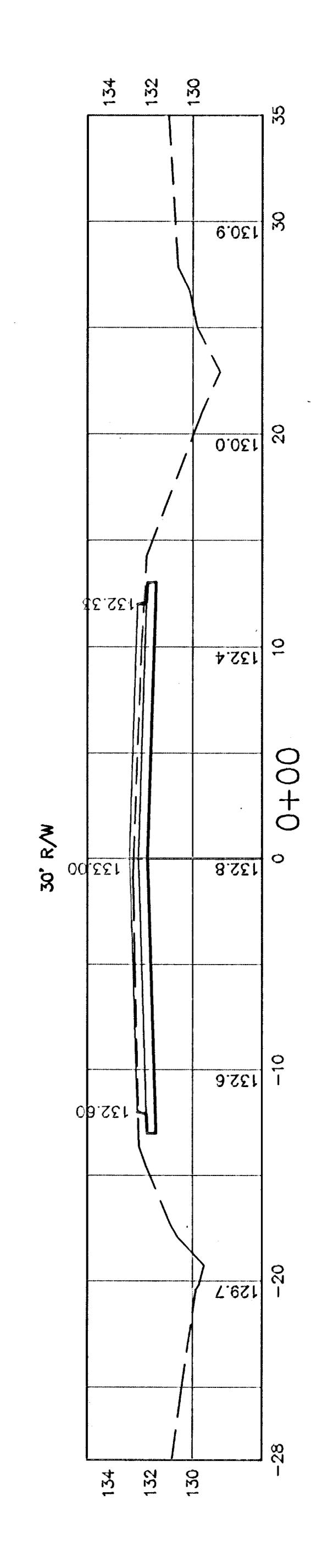
Cut Volume: 321.6 yds  
Fill Volume: 0.1 yds



Cut Area: 15.39 ft<sup>2</sup>  
Fill Area: 0.00 ft<sup>2</sup>

0+50

Cut Volume: 22.4 yds  
Fill Volume: 0.0 yds



Cut Area: 8.11 ft<sup>2</sup>  
Fill Area: 0.00 ft<sup>2</sup>

0+00

Cut Volume: 0.0 yds  
Fill Volume: 0.0 yds

CED PROJ. NO.: 20030988

**CERTIFIED ENGINEERING DESIGN, P.A.**



810 WEST DOUGLAS, SUITE C  
WICHITA, KANSAS 67203  
PH: (316) 262-8808  
FAX: (316) 262-1669

SHEET 22  
TOTAL 43