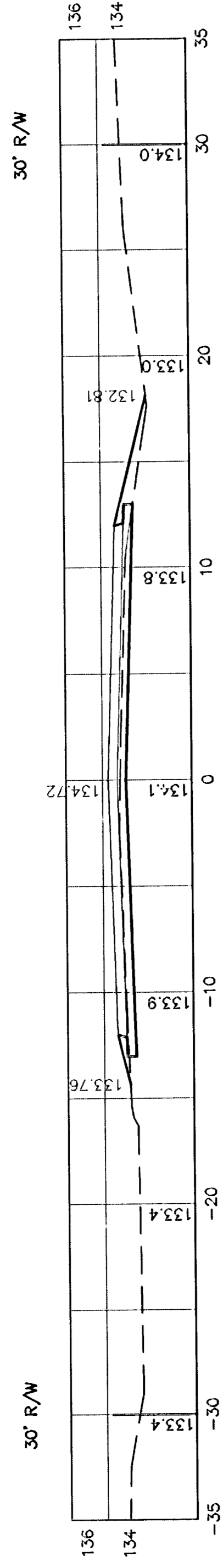


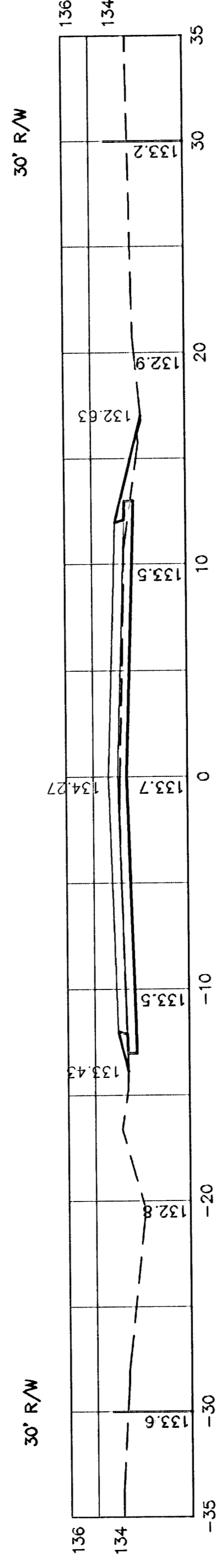
Cut Area: 7.47 ft²
Fill Area: 2.52 ft²

12+00

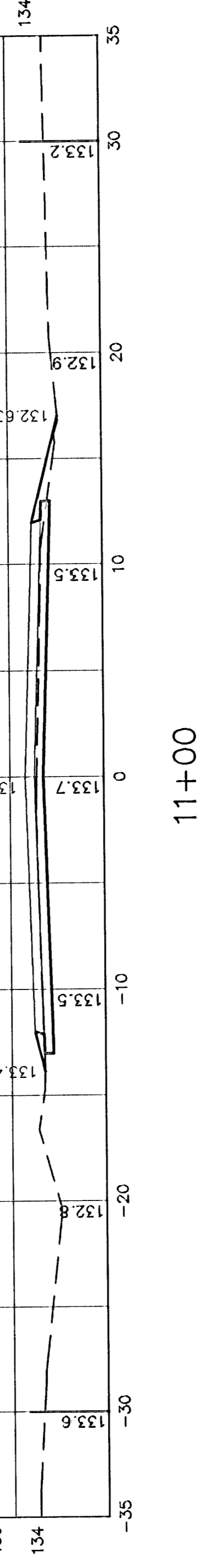


Cut Area: 8.02 ft²
Fill Area: 2.67 ft²

11+50

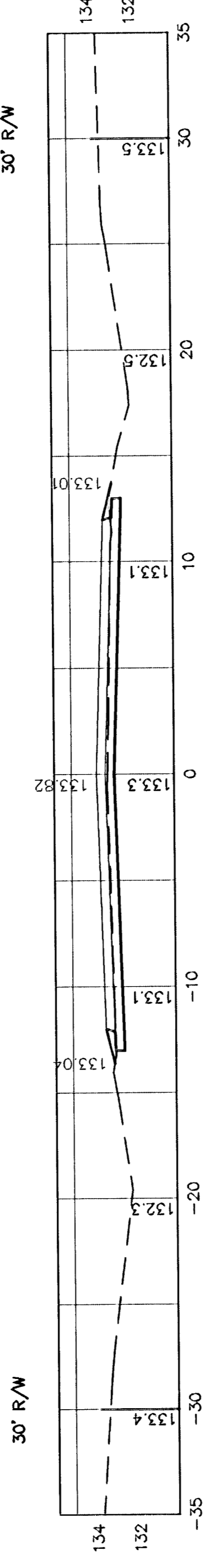


Cut Volume: 588.8 yds
Fill Volume: 52.5 yds



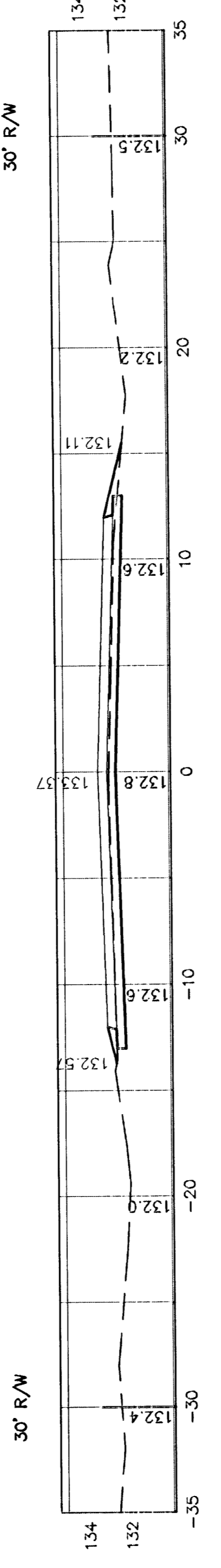
Cut Area: 9.56 ft²
Fill Area: 1.69 ft²

11+00



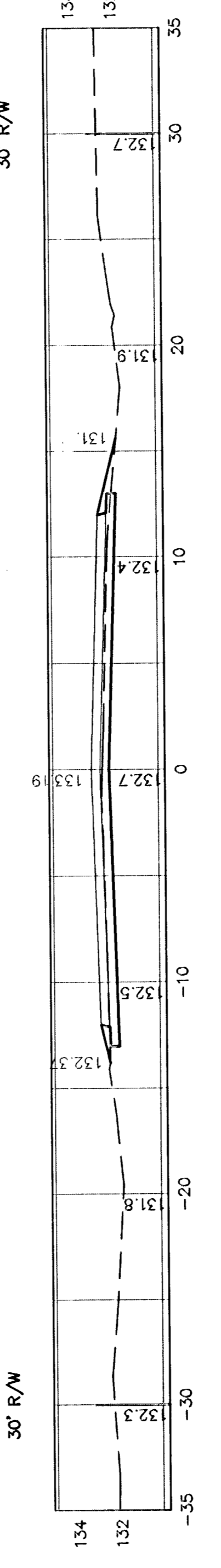
Cut Area: 9.81 ft²
Fill Area: 0.85 ft²

10+50



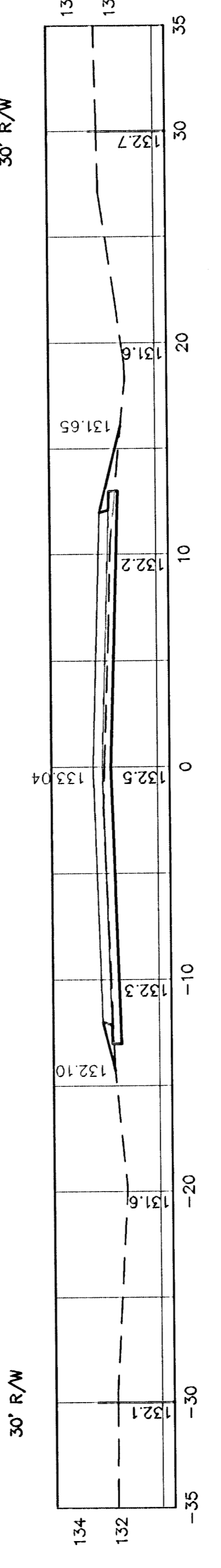
Cut Volume: 554.6 yds
Fill Volume: 46.4 yds

10+00



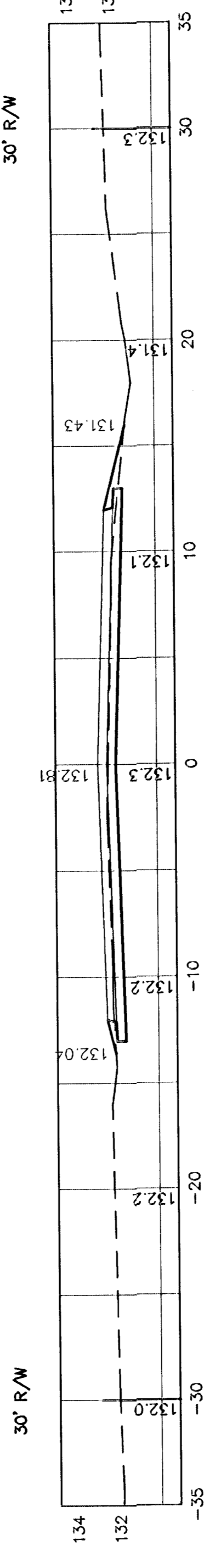
Cut Area: 9.39 ft²
Fill Area: 1.17 ft²

9+50



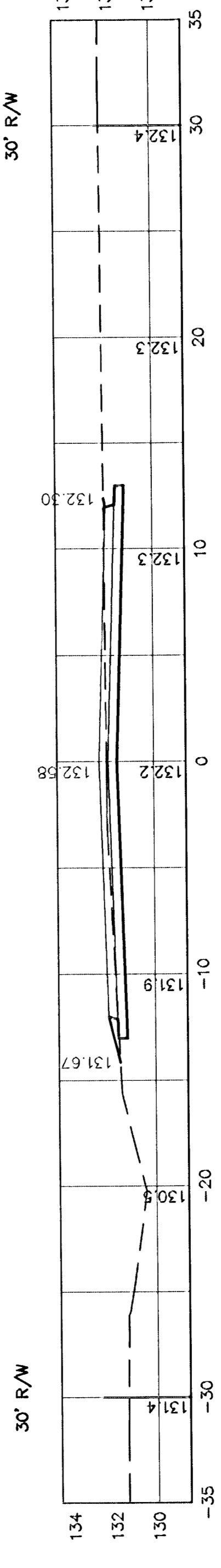
Cut Volume: 530.1 yds
Fill Volume: 43.9 yds

9+00



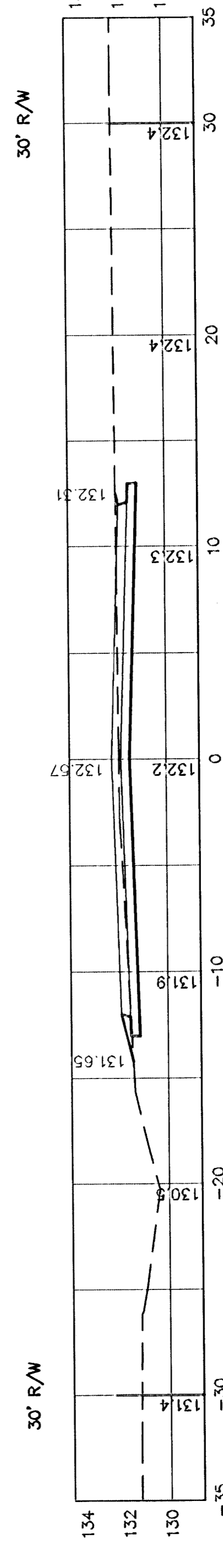
Cut Volume: 520.1 yds
Fill Volume: 42.5 yds

9+00



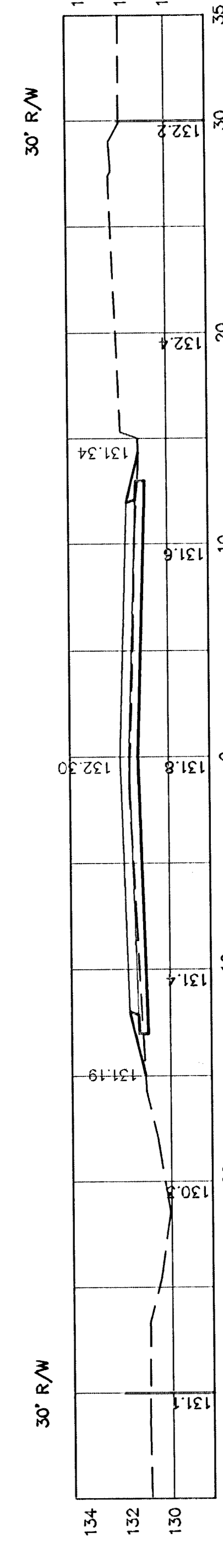
Cut Volume: 501.9 yds
Fill Volume: 40.0 yds

8+51.93



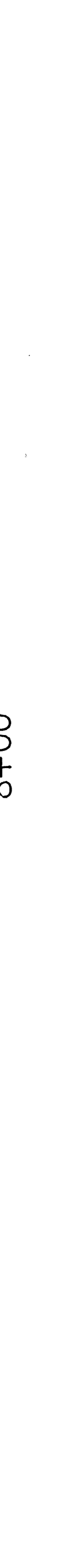
Cut Area: 10.65 ft²
Fill Area: 0.42 ft²

8+50



Cut Volume: 481.8 yds
Fill Volume: 38.5 yds

8+00



Cut Area: 9.60 ft²
Fill Area: 1.15 ft²

Cut Volume: 462.6 yds
Fill Volume: 37.1 yds