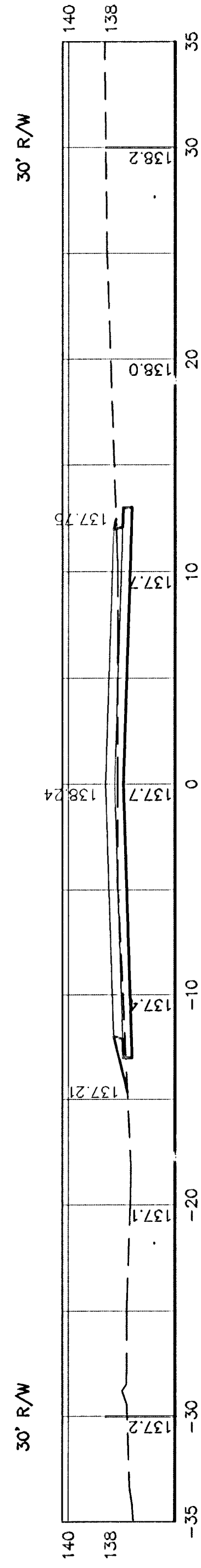
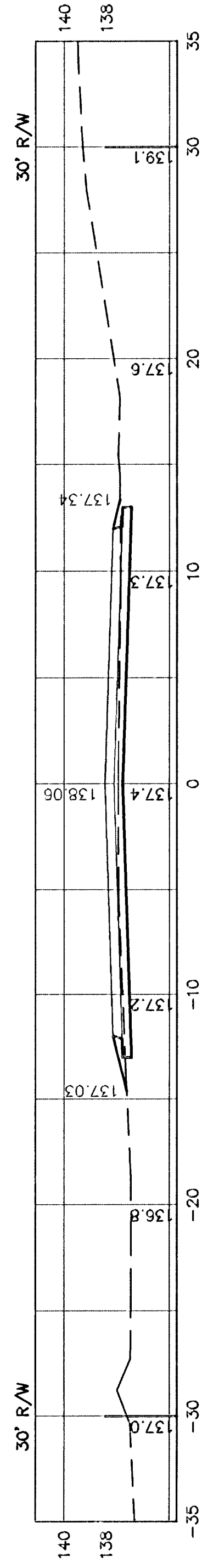


Cut Area: 10.36 ft²
Fill Area: 0.59 ft²



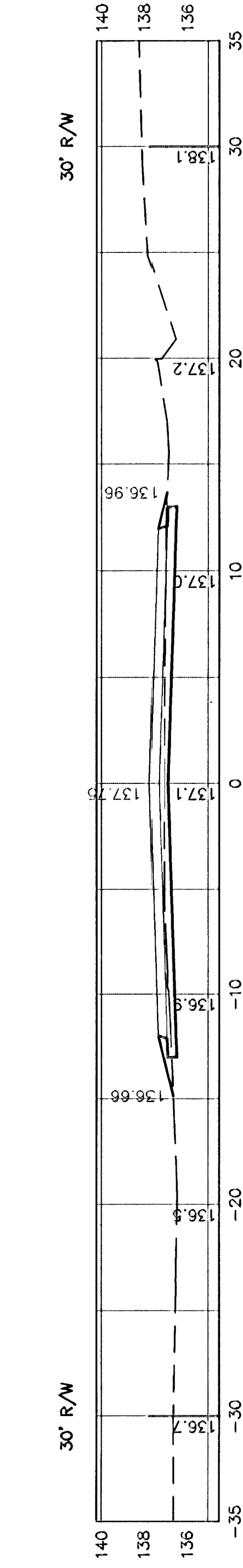
16+80

Cut Volume: 752.5 yds
Fill Volume: 80.2 yds



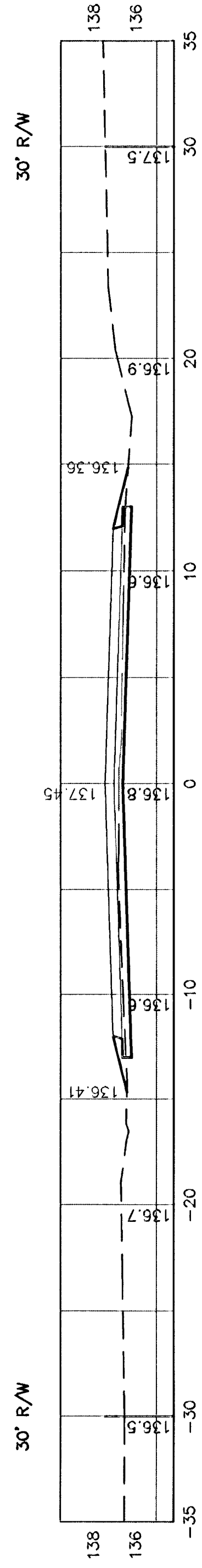
16+50

Cut Area: 8.55 ft²
Fill Area: 0.77 ft²



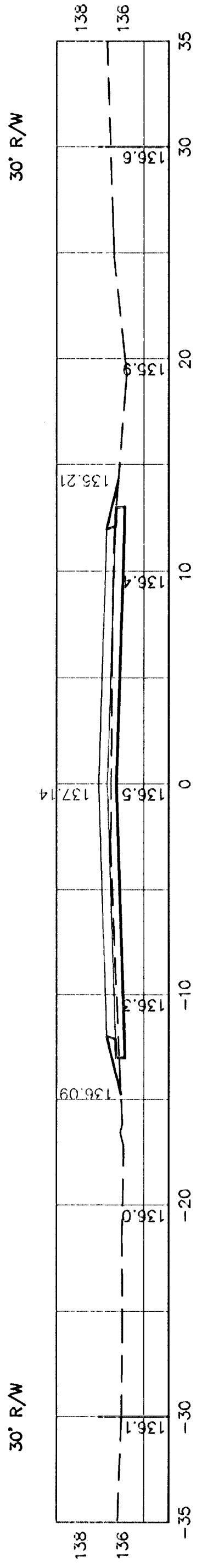
16+00

Cut Volume: 726.7 yds
Fill Volume: 77.9 yds



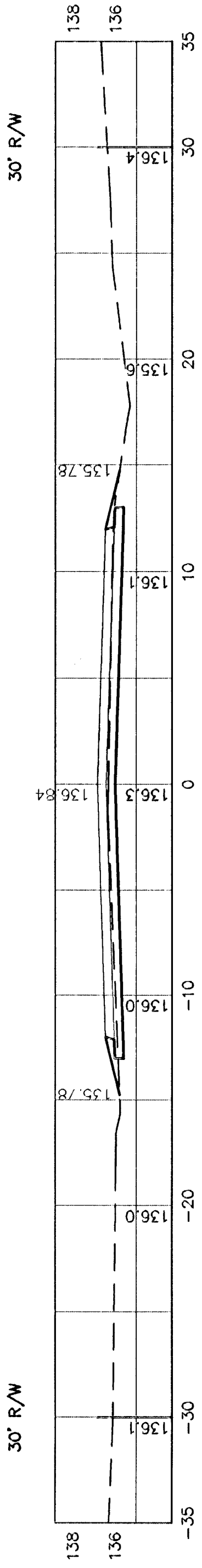
15+50

Cut Area: 6.60 ft²
Fill Area: 1.21 ft²



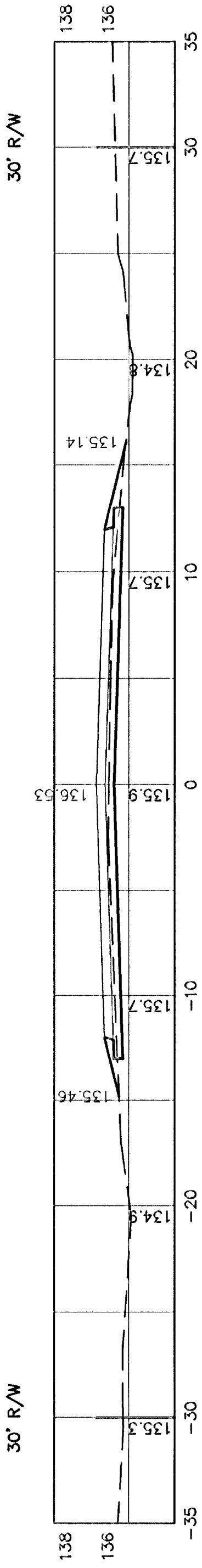
15+00

Cut Volume: 713.2 yds
Fill Volume: 75.9 yds



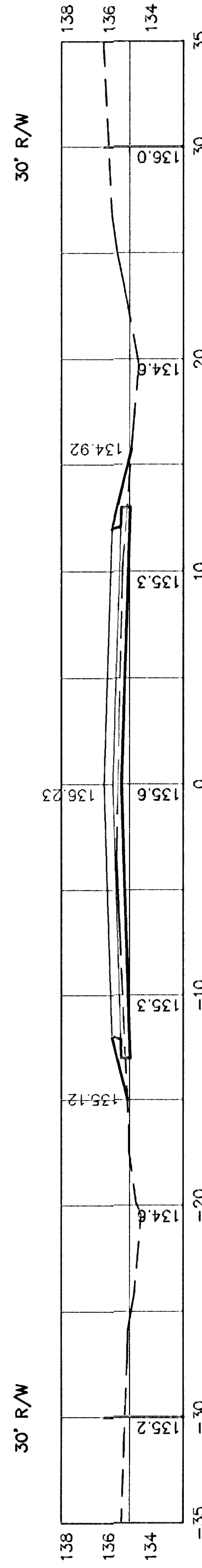
14+50

Cut Area: 6.95 ft²
Fill Area: 1.00 ft²



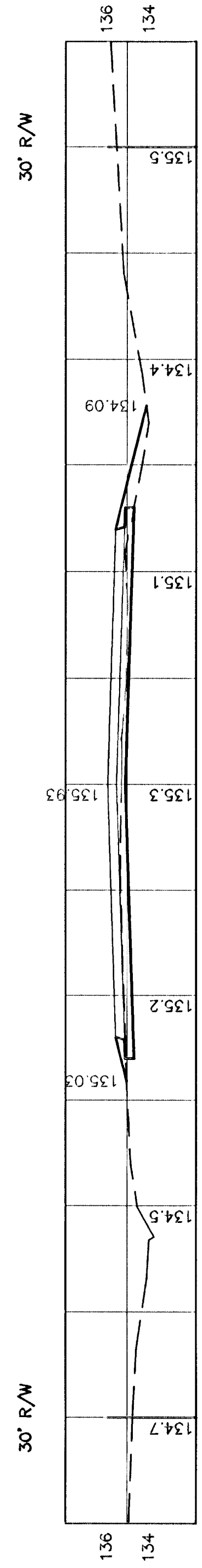
14+00

Cut Volume: 681.9 yds
Fill Volume: 72.0 yds



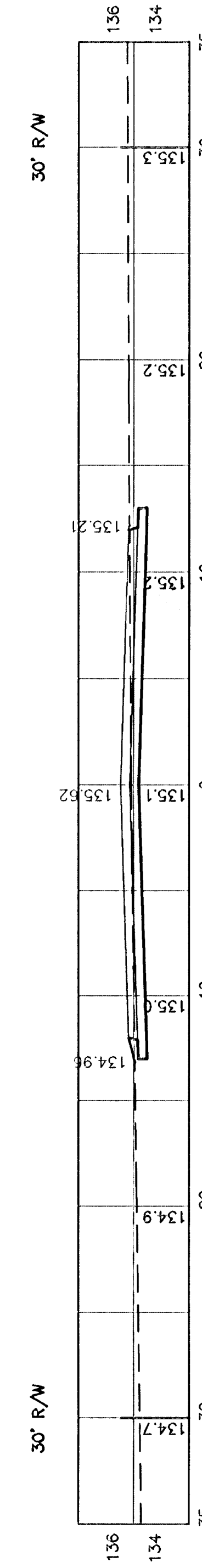
13+50

Cut Area: 7.80 ft²
Fill Area: 1.63 ft²



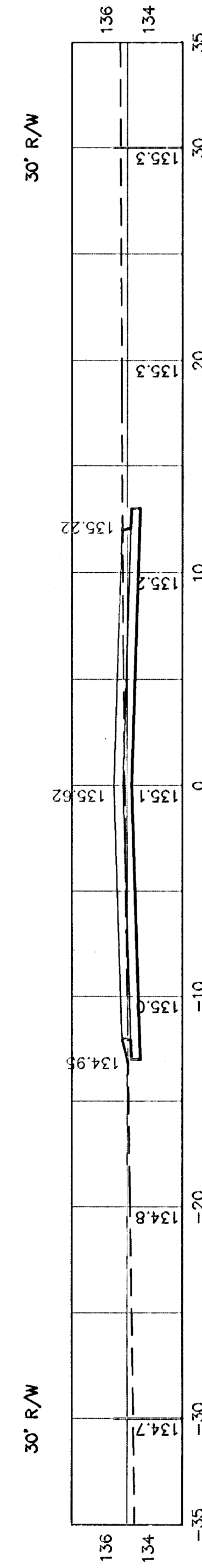
13+00

Cut Volume: 652.9 yds
Fill Volume: 66.6 yds



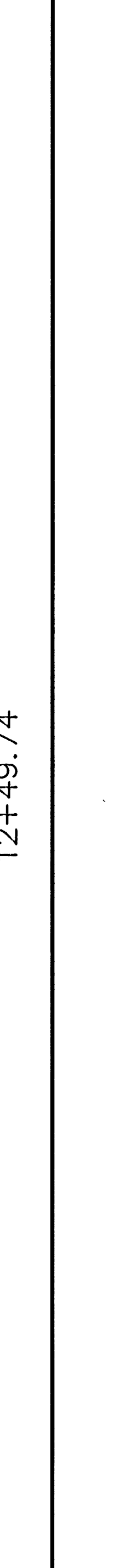
12+50

Cut Area: 6.94 ft²
Fill Area: 2.80 ft²



12+49.74

Cut Volume: 622.0 yds
Fill Volume: 58.7 yds



CED PROJ. NO.: 20030988

CERTIFIED ENGINEERING DESIGN, P.A.



810 WEST DOUGLAS, SUITE C
WICHITA, KANSAS 67203
PH: (316) 262-8808
FAX: (316) 262-1669

SHEET 25
TOTAL 43