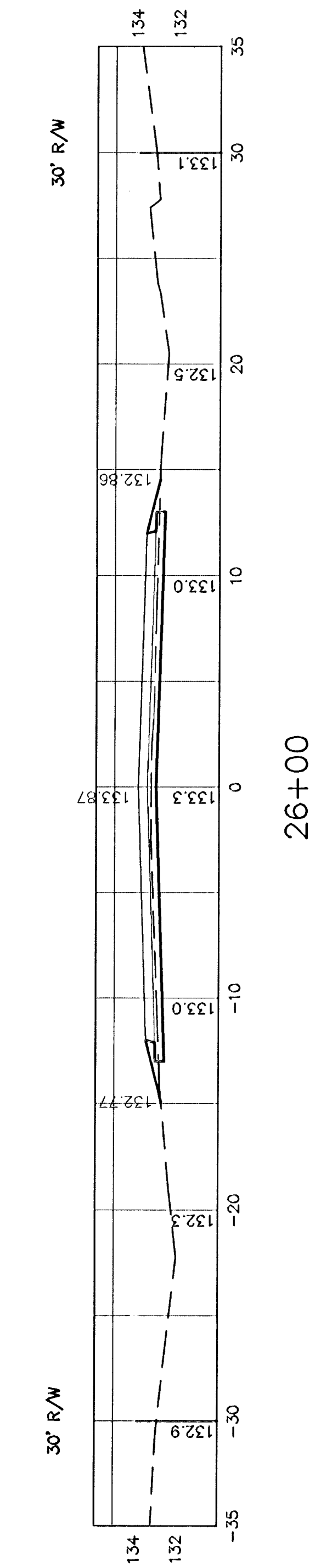
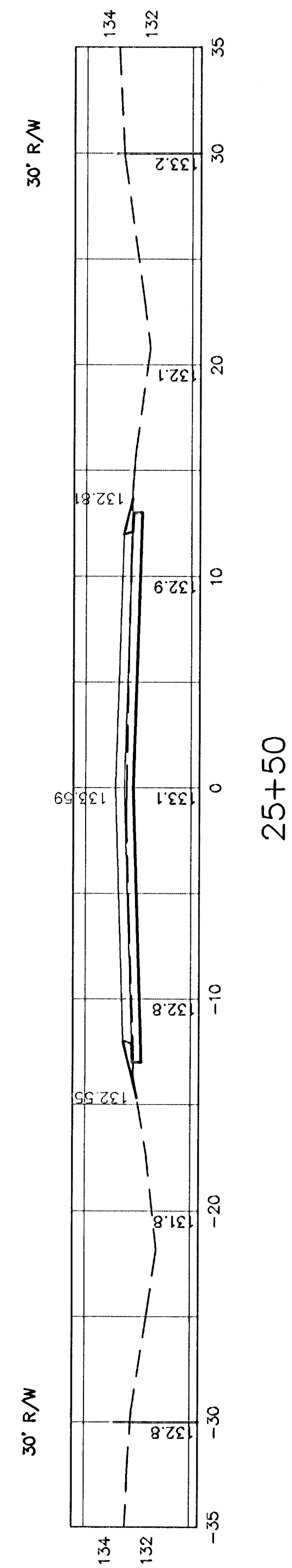


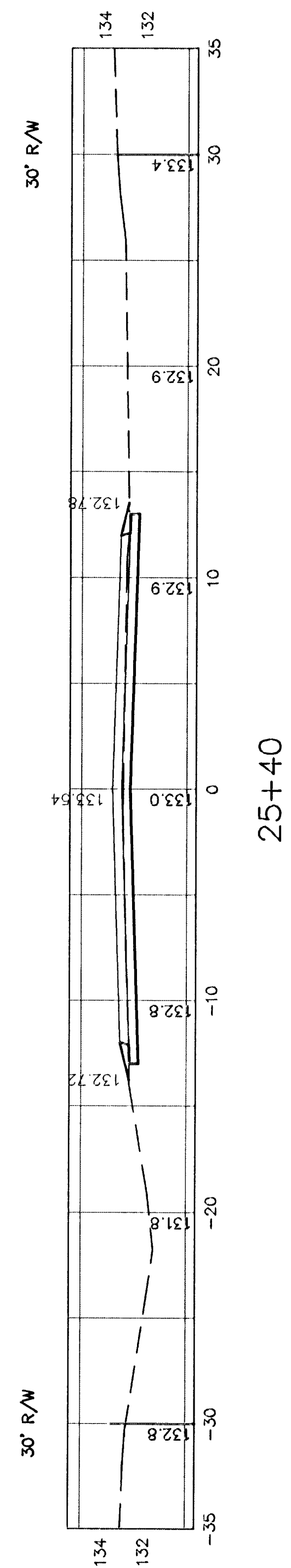
Cut Area: 8.29 ft²
Fill Area: 0.80 ft²



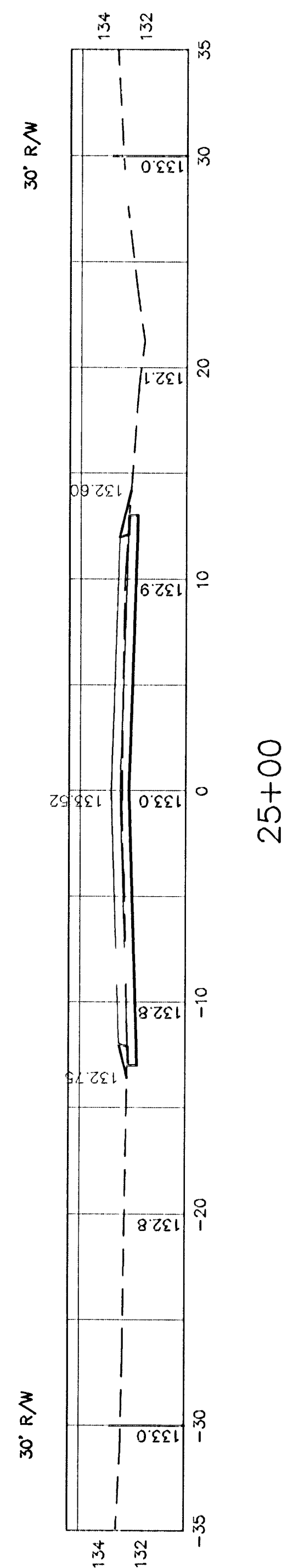
Cut Volume: 214.8 yds
Fill Volume: 35.9 yds



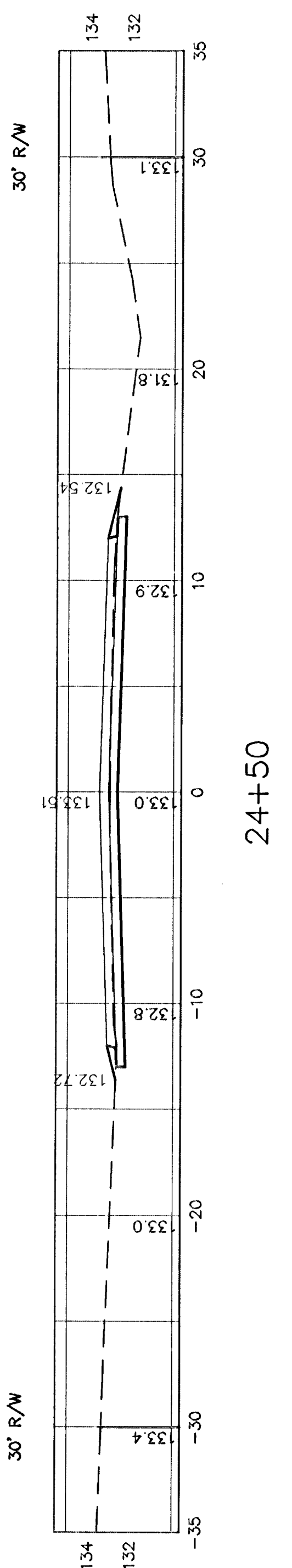
Cut Area: 8.81 ft²
Fill Area: 1.17 ft²



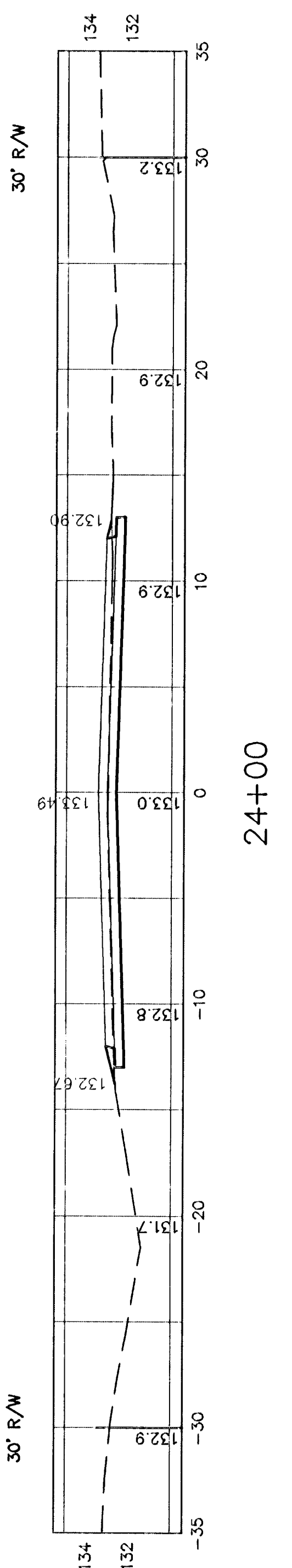
Cut Volume: 185.3 yds
Fill Volume: 32.3 yds



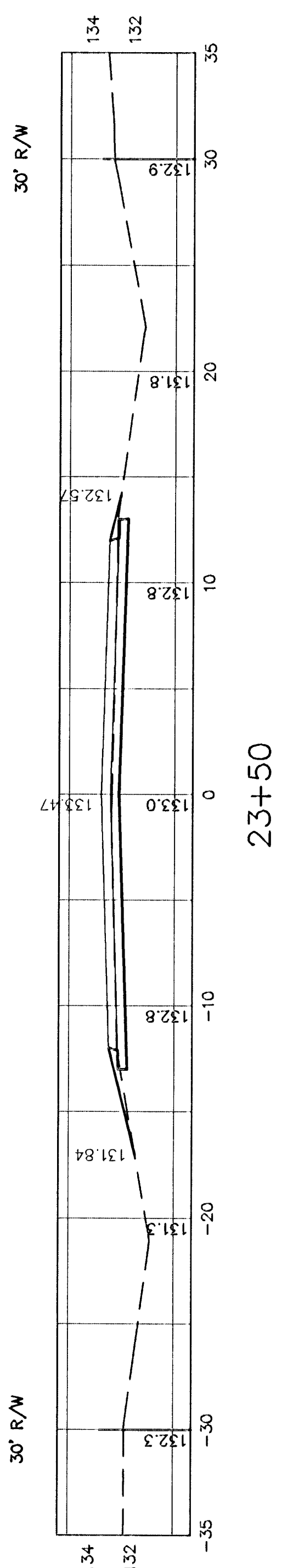
Cut Area: 11.01 ft²
Fill Area: 0.85 ft²



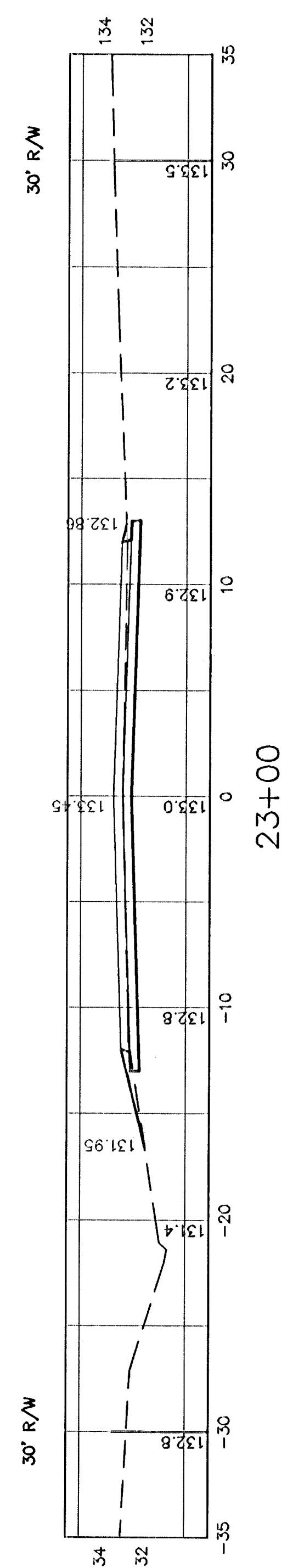
Cut Volume: 165.3 yds
Fill Volume: 31.1 yds



Cut Area: 11.53 ft²
Fill Area: 0.73 ft²



Cut Volume: 144.7 yds
Fill Volume: 29.7 yds



Cut Area: 12.10 ft²
Fill Area: 0.38 ft²

Cut Volume: 122.9 yds
Fill Volume: 28.7 yds

Cut Area: 10.62 ft²
Fill Area: 1.19 ft²

Cut Volume: 101.8 yds
Fill Volume: 27.3 yds

Cut Area: 11.89 ft²
Fill Area: 0.96 ft²

Cut Volume: 80.9 yds
Fill Volume: 25.3 yds