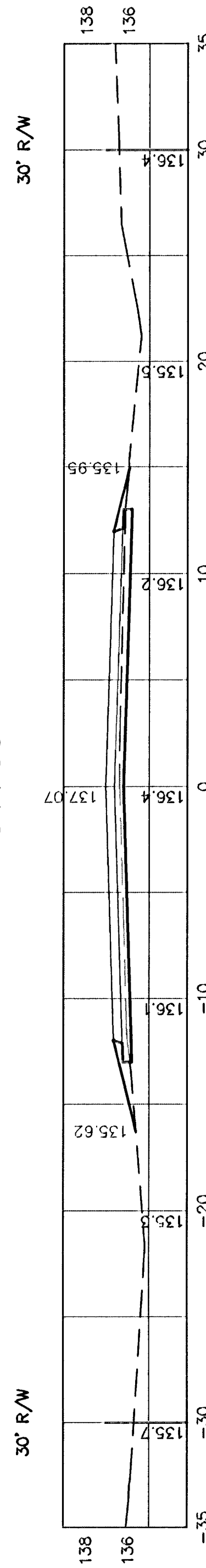


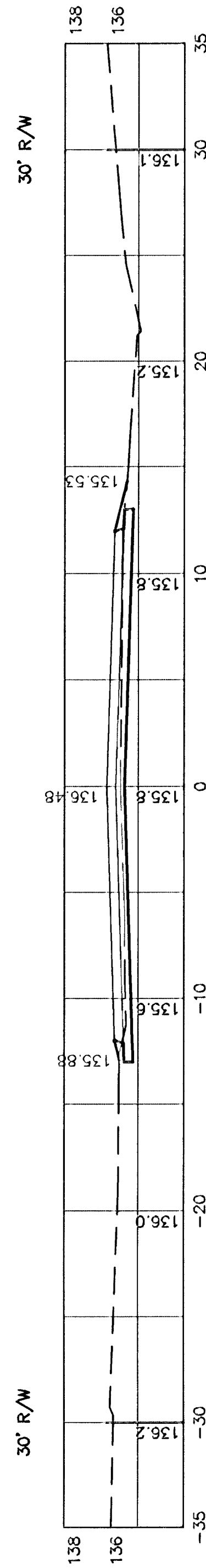
Cut Area: 7.94 ft²
Fill Area: 1.00 ft²

31+00



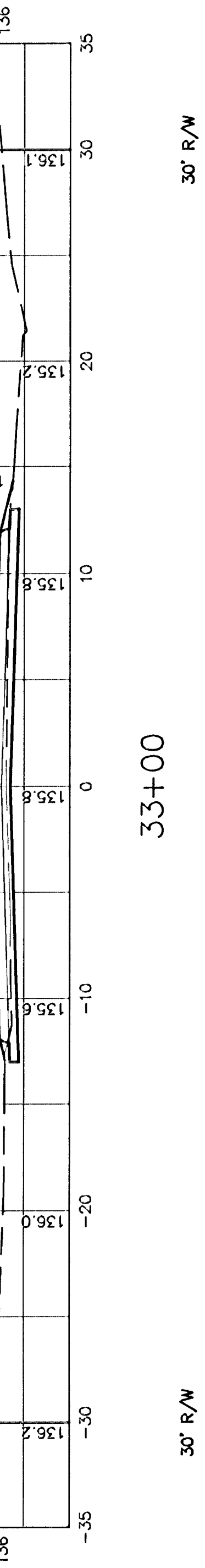
Cut Volume: 110.3 yds
Fill Volume: 26.4 yds

32+00



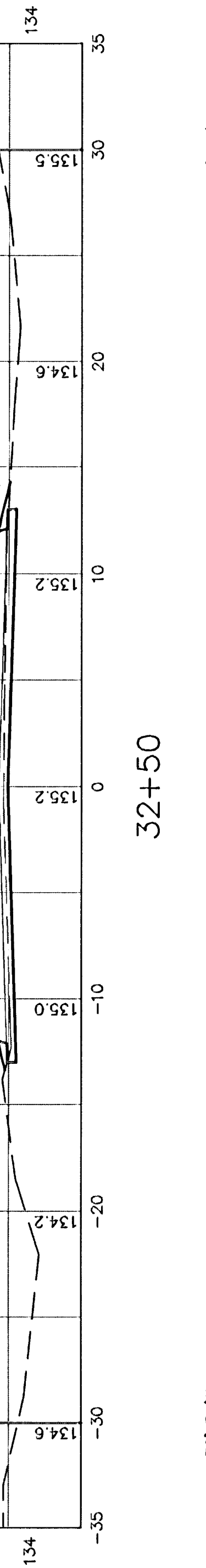
Cut Area: 7.97 ft²
Fill Area: 0.95 ft²

33+50



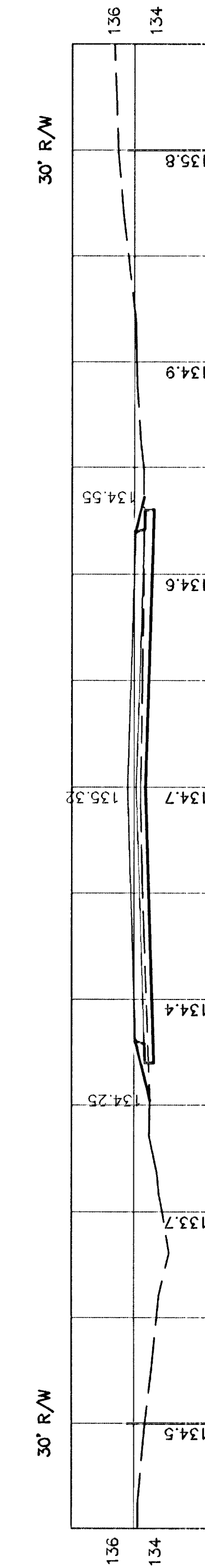
Cut Volume: 85.5 yds
Fill Volume: 21.7 yds

33+00



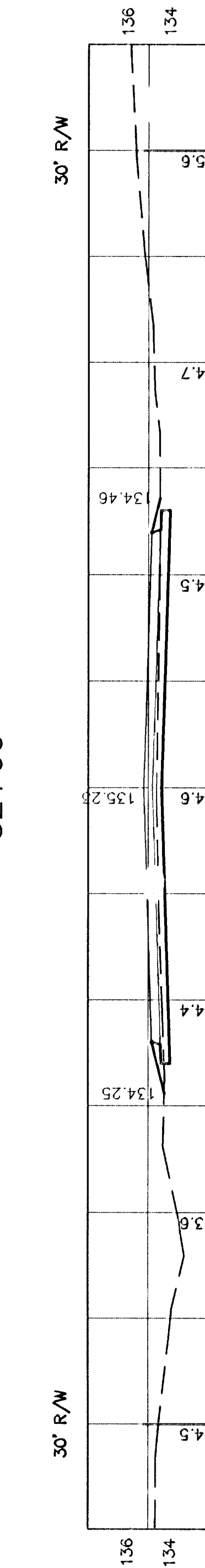
Cut Area: 7.02 ft²
Fill Area: 0.77 ft²

32+50



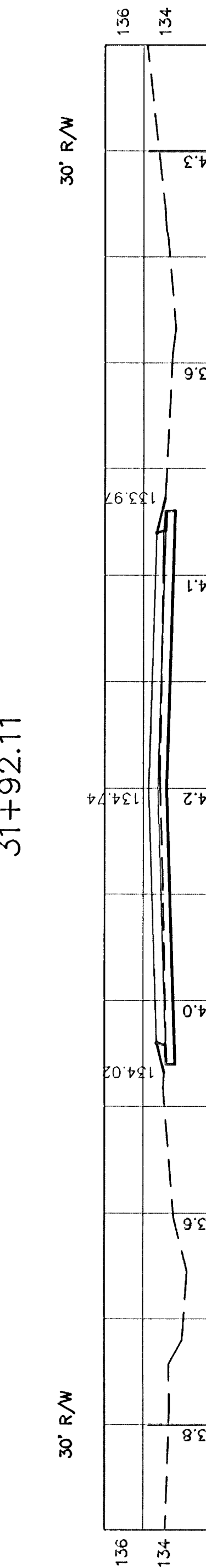
Cut Volume: 72.3 yds
Fill Volume: 20.5 yds

32+00



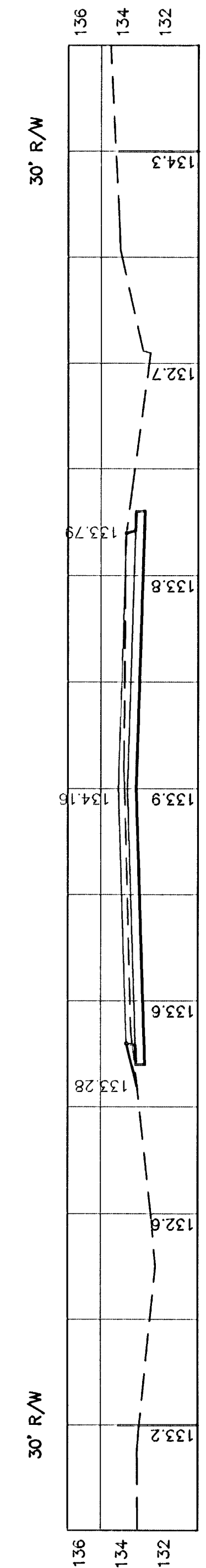
Cut Volume: 58.8 yds
Fill Volume: 18.9 yds

31+92.11



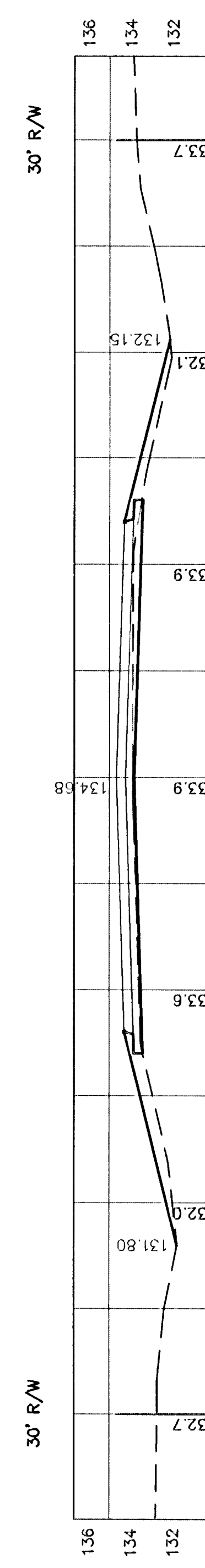
Cut Area: 7.94 ft²
Fill Area: 0.85 ft²

31+50



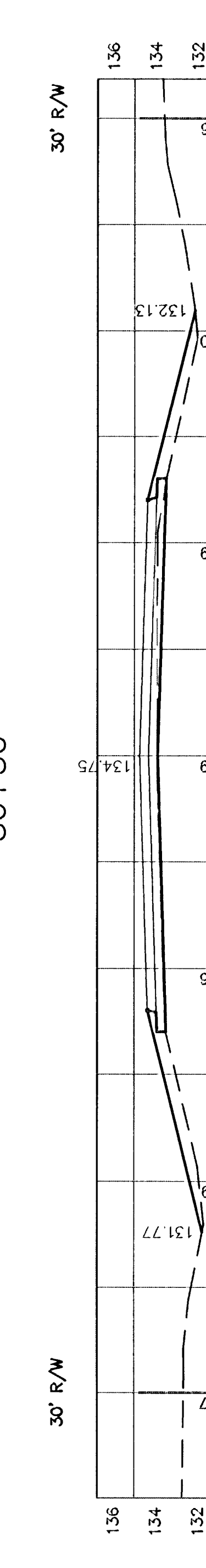
Cut Volume: 42.7 yds
Fill Volume: 17.6 yds

31+00



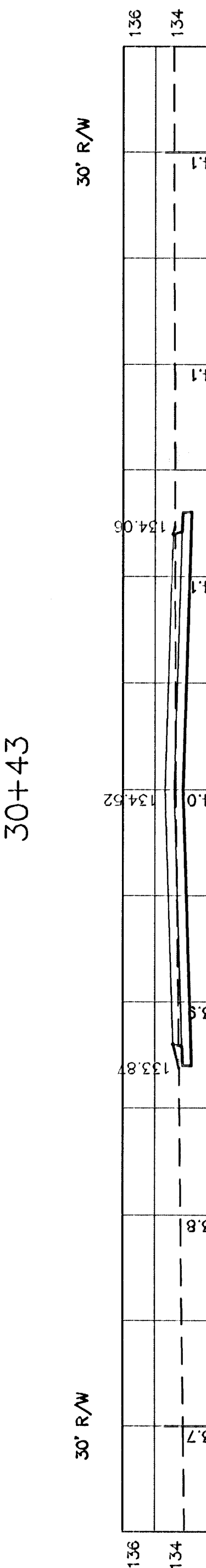
Cut Area: 8.98 ft²
Fill Area: 0.27 ft²

30+50



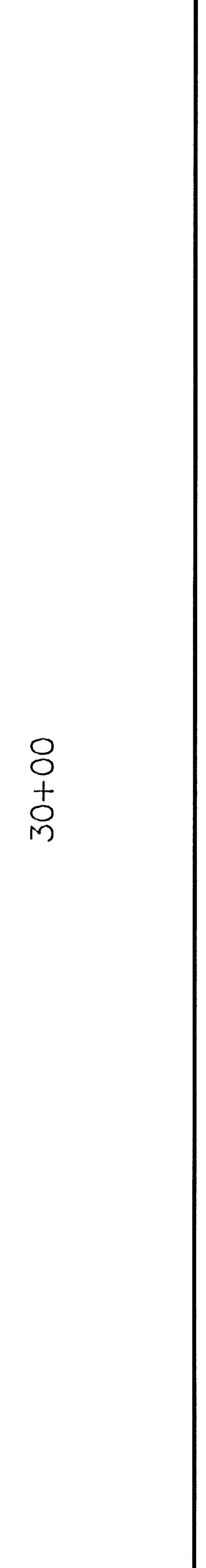
Cut Volume: 13.1 yds
Fill Volume: 9.6 yds

30+43



Cut Area: 2.88 ft²
Fill Area: 9.16 ft²

30+00



Cut Volume: 12.2 yds
Fill Volume: 7.5 yds

Cut Area: 12.71 ft²
Fill Area: 0.16 ft²

Cut Volume: 0.0 yds
Fill Volume: 0.0 yds

CED PROJ. NO.: 20030988

CERTIFIED ENGINEERING DESIGN, P.A.

810 WEST DOUGLAS, SUITE C
WICHITA, KANSAS 67203
PH: (316) 262-8808
FAX: (316) 262-1669



SHEET 30
TOTAL 43