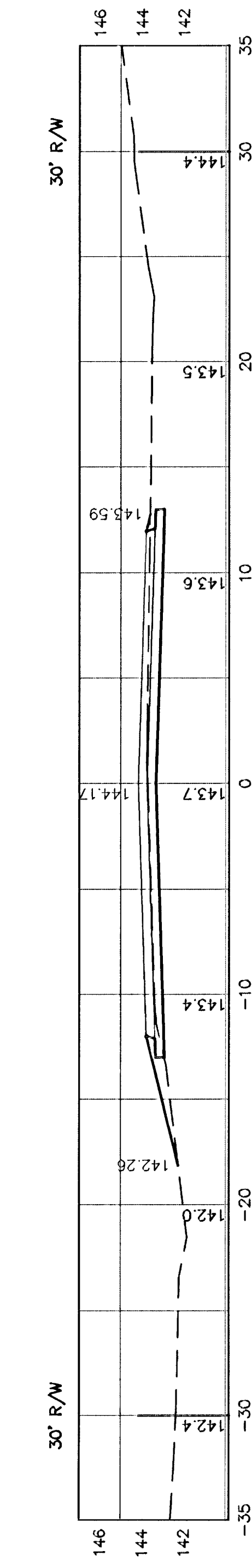
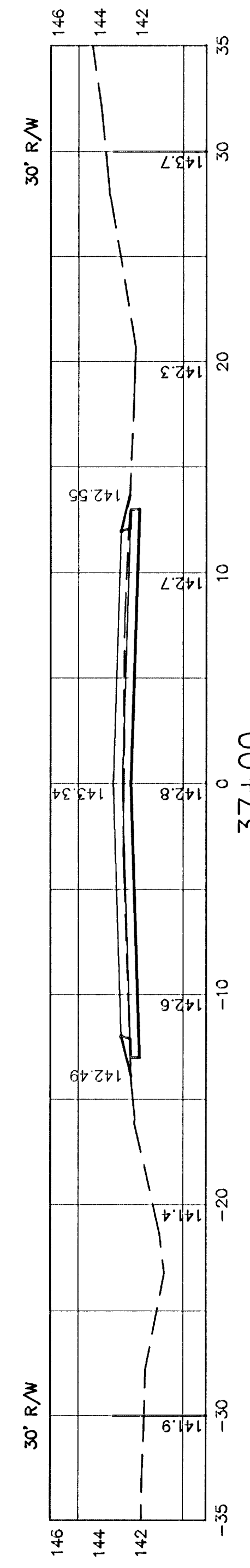


Cut Area: 11.14 ft²
Fill Area: 2.32 ft²



Cut Volume: 225.2 yds
Fill Volume: 39.9 yds

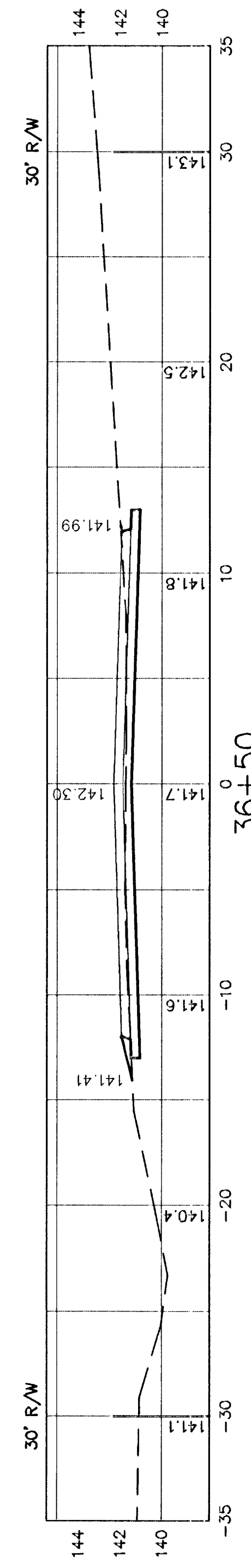
37+50



Cut Area: 11.77 ft²
Fill Area: 2.04 ft²

Cut Volume: 220.9 yds
Fill Volume: 39.1 yds

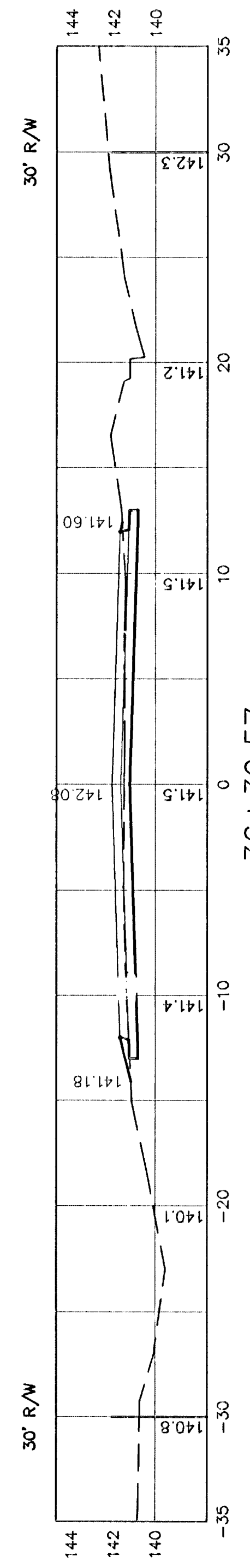
37+00



Cut Area: 11.76 ft²
Fill Area: 0.64 ft²

Cut Volume: 203.5 yds
Fill Volume: 37.2 yds

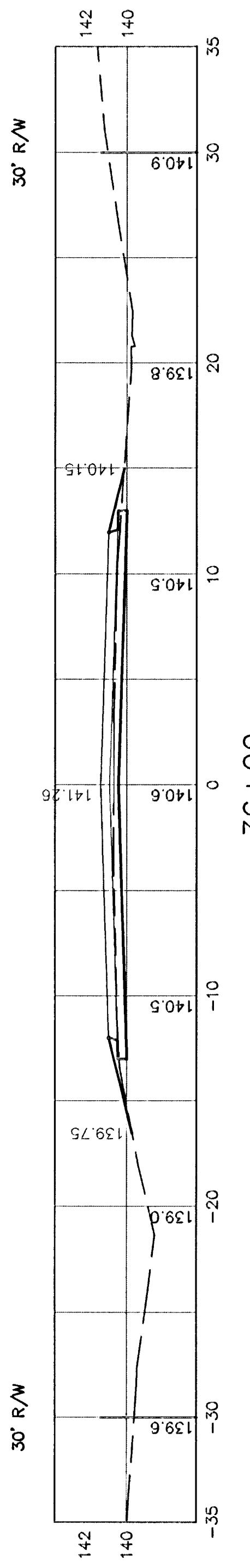
36+50



Cut Area: 6.75 ft²
Fill Area: 0.40 ft²

Cut Volume: 186.4 yds
Fill Volume: 36.2 yds

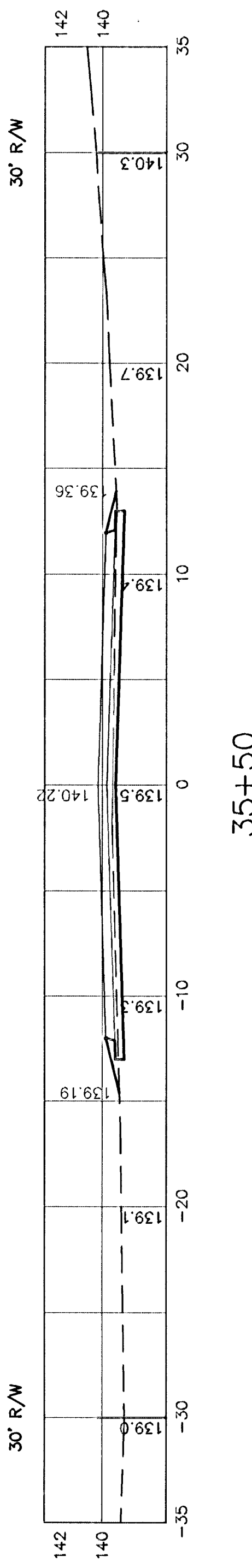
36+50



Cut Area: 8.73 ft²
Fill Area: 1.29 ft²

Cut Volume: 183.0 yds
Fill Volume: 36.0 yds

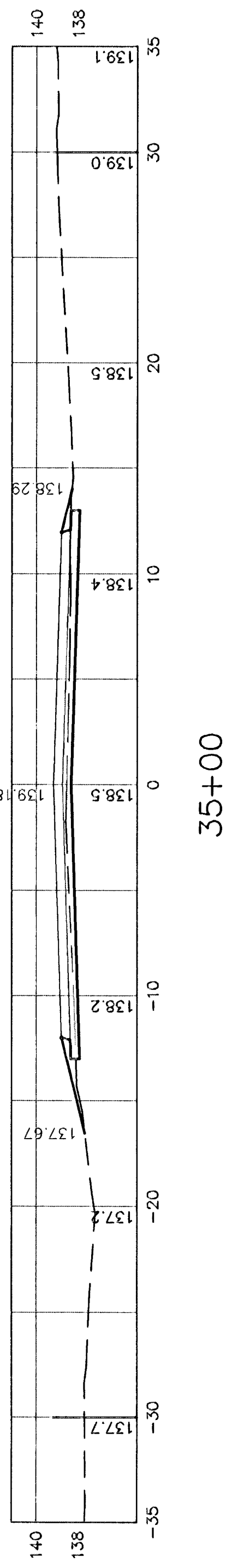
36+00



Cut Area: 6.37 ft²
Fill Area: 0.99 ft²

Cut Volume: 168.7 yds
Fill Volume: 34.8 yds

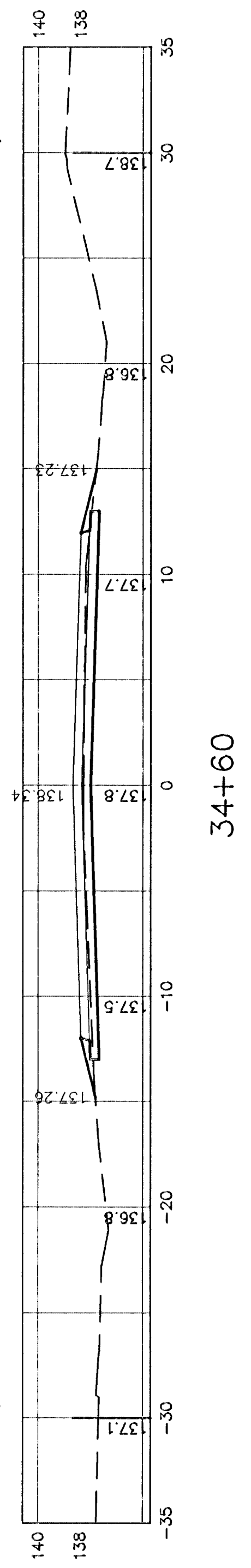
35+50



Cut Area: 10.41 ft²
Fill Area: 1.14 ft²

Cut Volume: 154.7 yds
Fill Volume: 32.7 yds

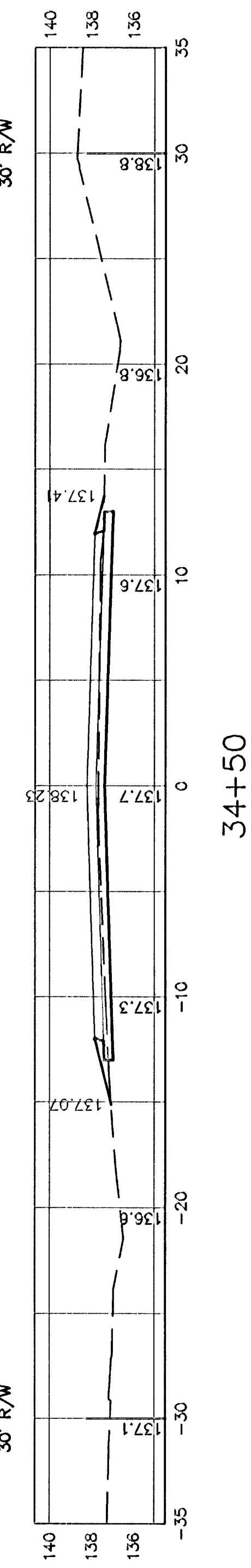
35+00



Cut Area: 6.70 ft²
Fill Area: 1.31 ft²

Cut Volume: 142.6 yds
Fill Volume: 30.5 yds

34+60



Cut Area: 9.33 ft²
Fill Area: 1.02 ft²

Cut Volume: 130.0 yds
Fill Volume: 28.7 yds

34+50

Cut Area: 126.3 yds
Fill Volume: 28.3 yds