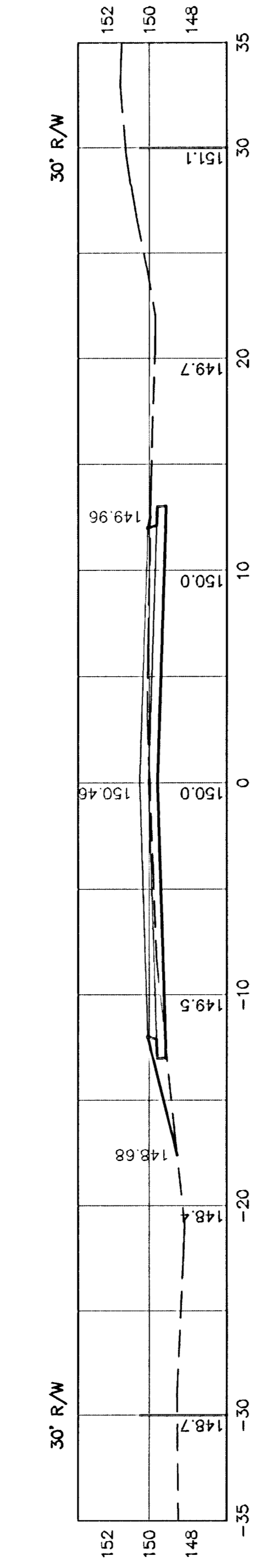


Cut Area: 10.22 ft²
Fill Area: 1.17 ft²

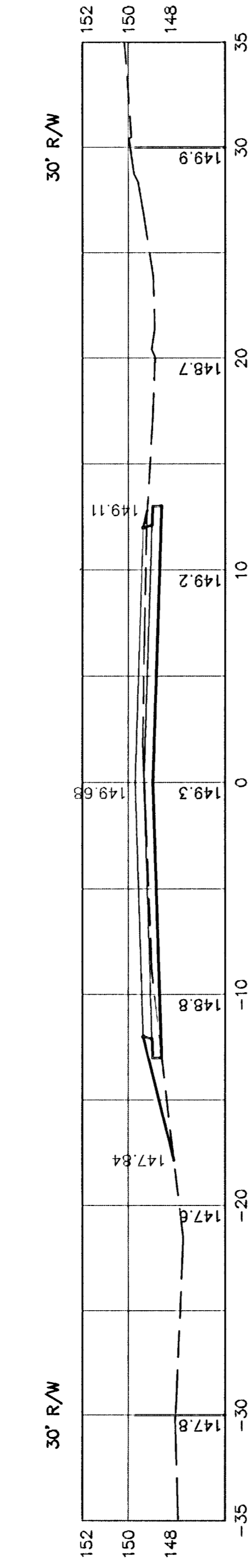
41+50



Cut Volume: 418.9 yds
Fill Volume: 66.4 yds

Cut Area: 10.97 ft²
Fill Area: 1.87 ft²

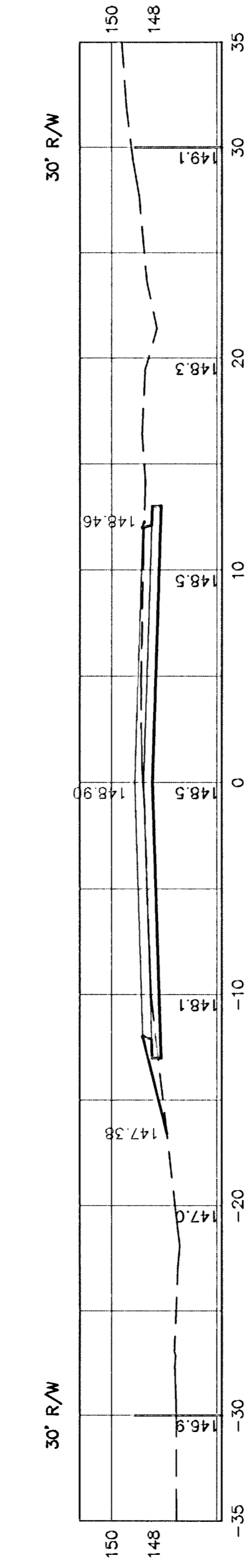
41+00



Cut Volume: 399.3 yds
Fill Volume: 63.4 yds

Cut Area: 11.56 ft²
Fill Area: 1.90 ft²

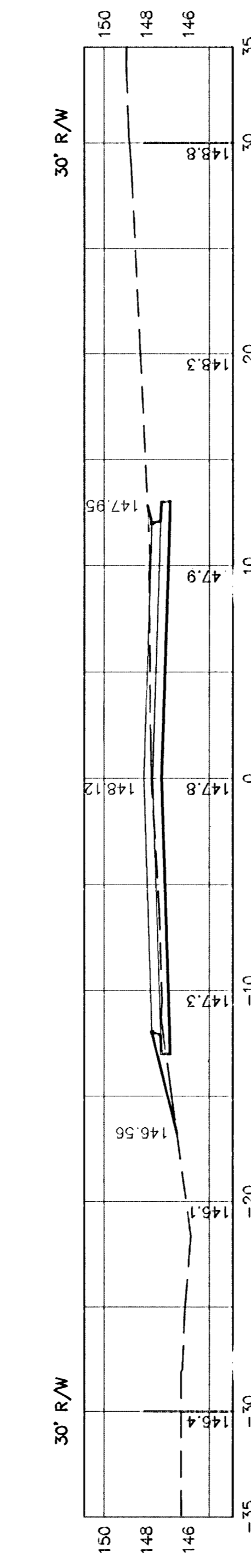
40+50



Cut Volume: 378.4 yds
Fill Volume: 58.9 yds

Cut Area: 13.22 ft²
Fill Area: 1.17 ft²

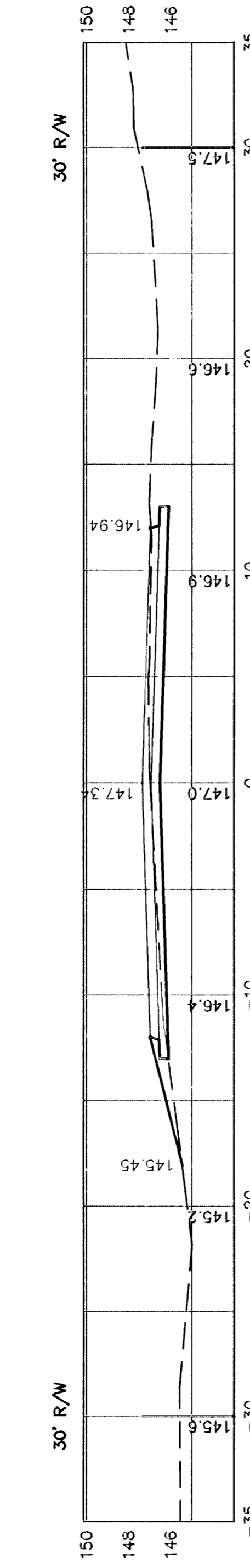
40+00



Cut Volume: 355.5 yds
Fill Volume: 57.1 yds

Cut Area: 20.01 ft²
Fill Area: 1.10 ft²

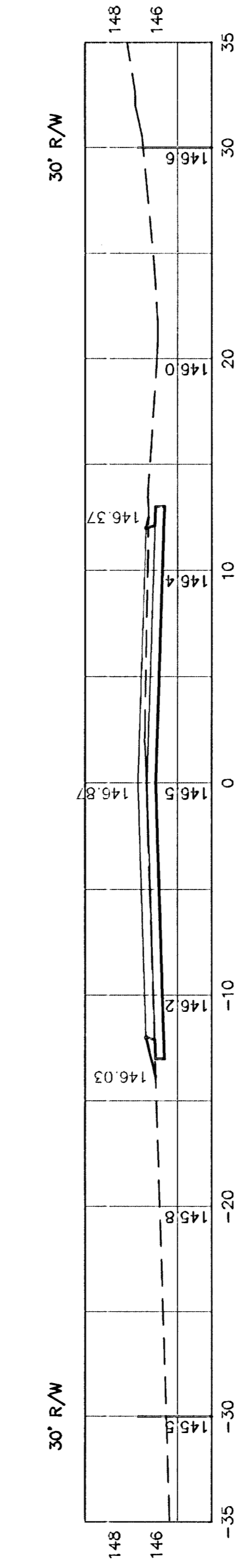
39+50



Cut Volume: 324.7 yds
Fill Volume: 55.0 yds

Cut Area: 12.02 ft²
Fill Area: 1.87 ft²

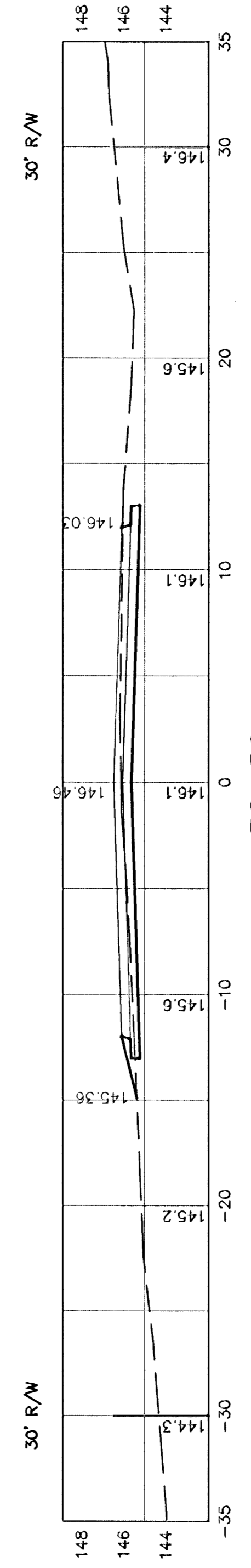
39+00



Cut Volume: 295.1 yds
Fill Volume: 52.3 yds

Cut Area: 13.53 ft²
Fill Area: 0.38 ft²

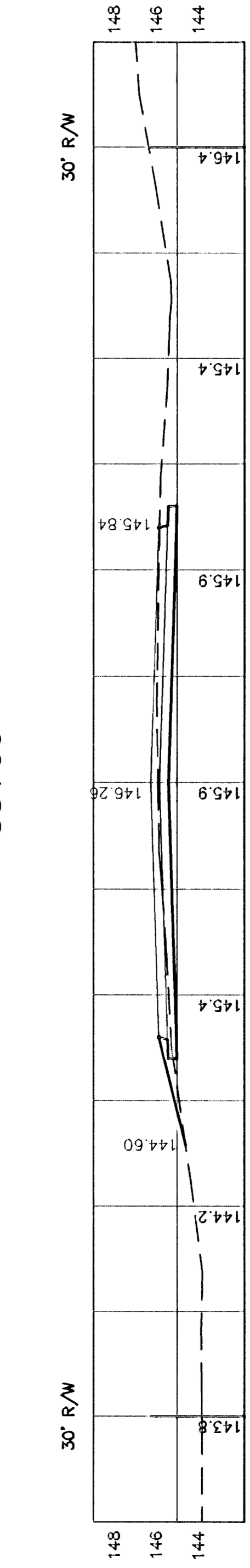
38+69.71



Cut Volume: 280.7 yds
Fill Volume: 51.0 yds

Cut Area: 12.92 ft²
Fill Area: 0.86 ft²

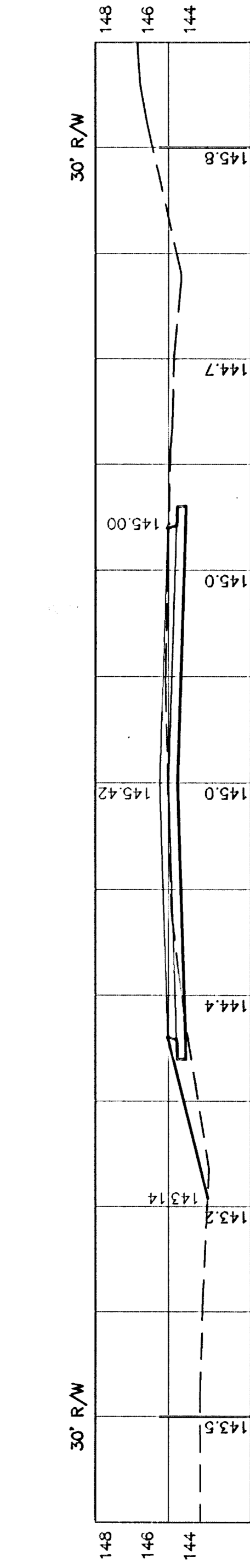
38+50



Cut Volume: 271.1 yds
Fill Volume: 50.6 yds

Cut Area: 13.54 ft²
Fill Area: 1.19 ft²

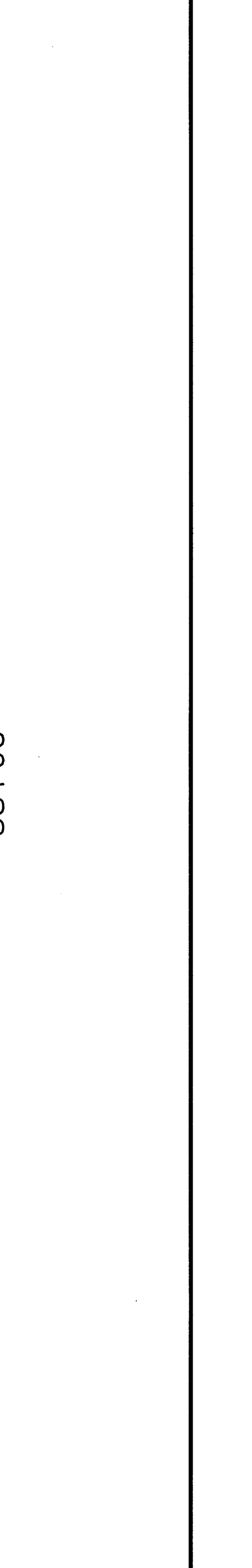
38+40.10



Cut Volume: 266.2 yds
Fill Volume: 50.3 yds

Cut Area: 12.48 ft²
Fill Area: 4.19 ft²

38+00



Cut Volume: 247.0 yds
Fill Volume: 46.2 yds