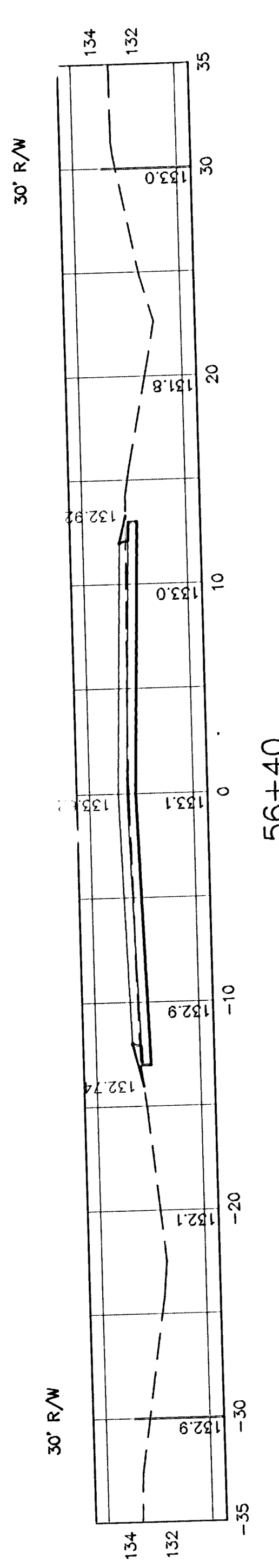
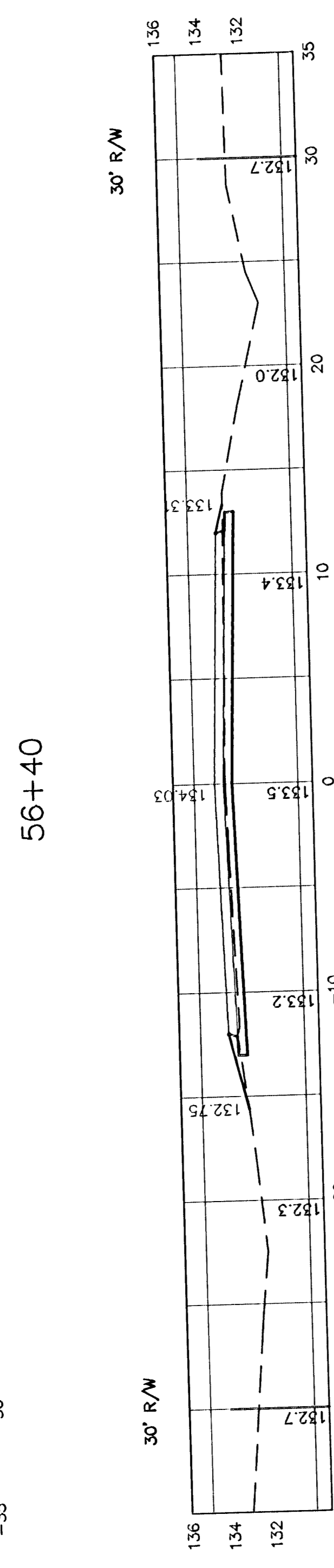


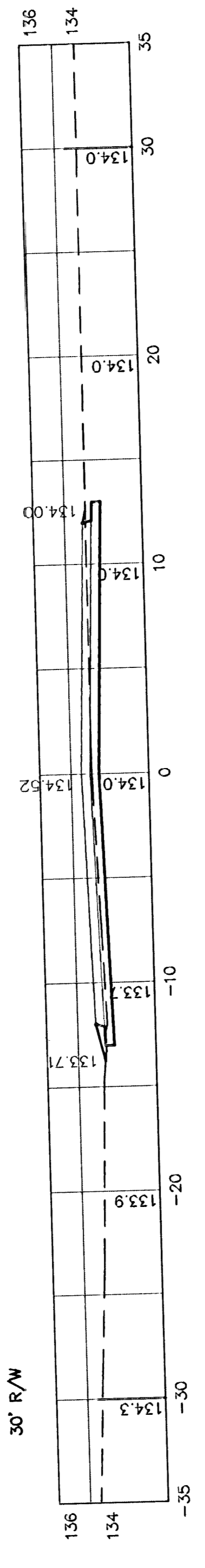
Cut Area: 11.19 ft²
Fill Area: 0.47 ft²



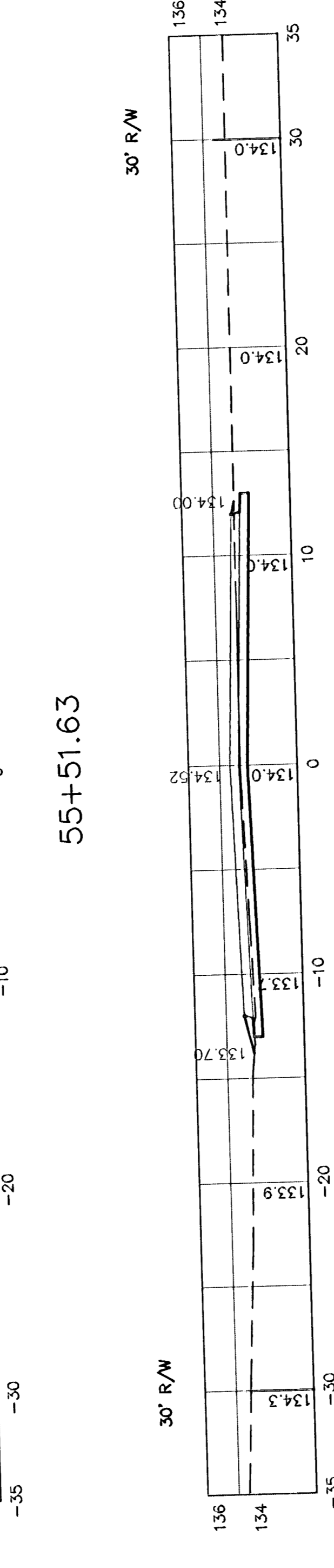
Cut Volume: 221.8 yds
Fill Volume: 32.5 yds



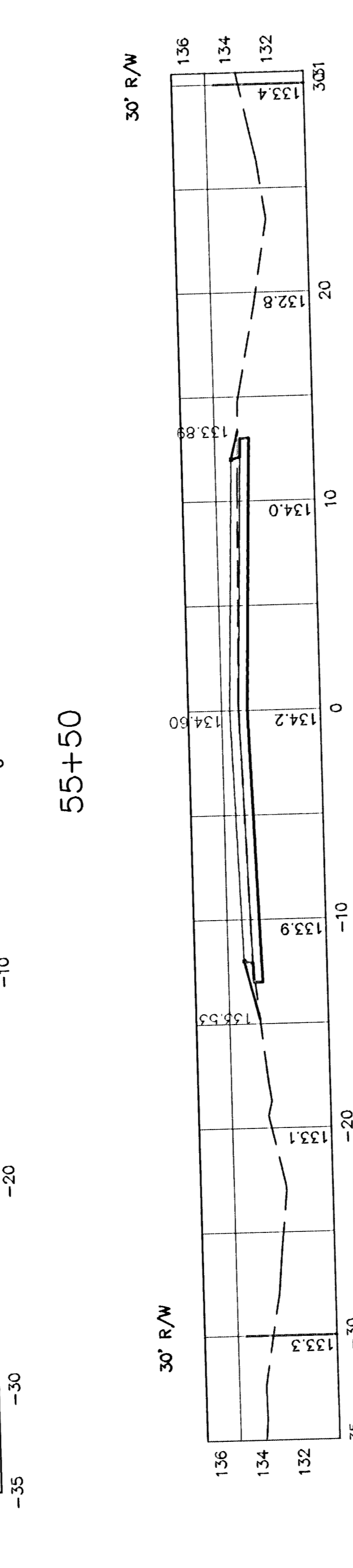
Cut Area: 10.71 ft²
Fill Area: 0.42 ft²



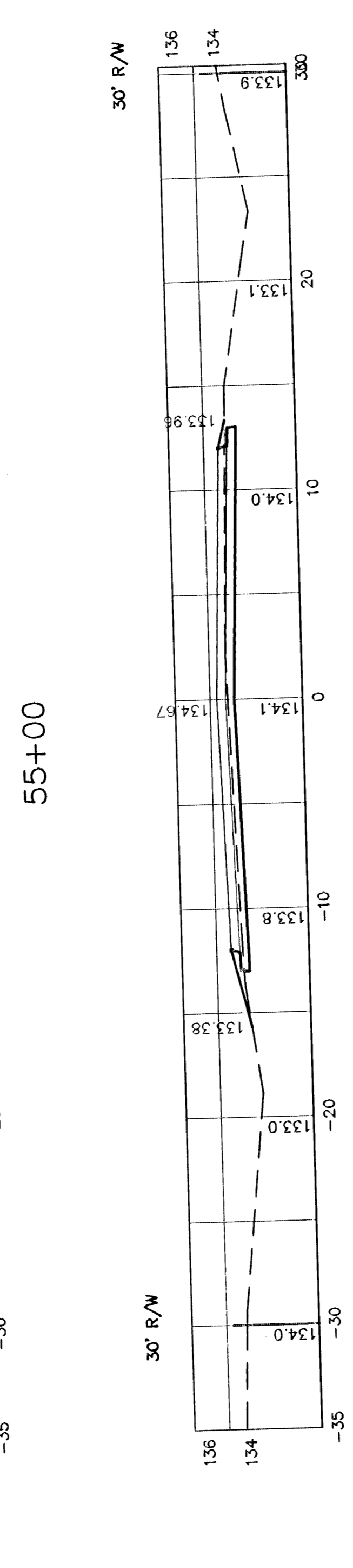
Cut Volume: 187.9 yds
Fill Volume: 30.3 yds



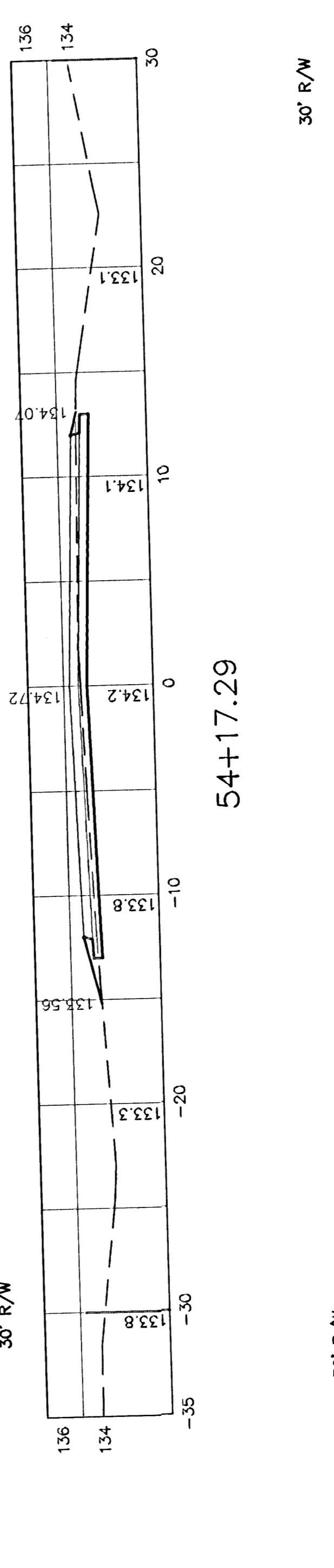
Cut Volume: 187.3 yds
Fill Volume: 30.3 yds



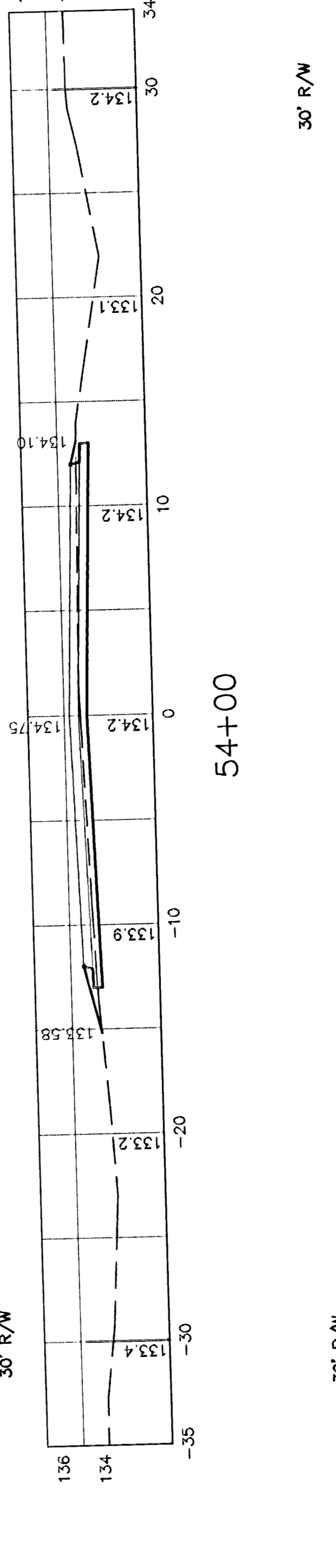
Cut Volume: 146.3 yds
Fill Volume: 27.8 yds



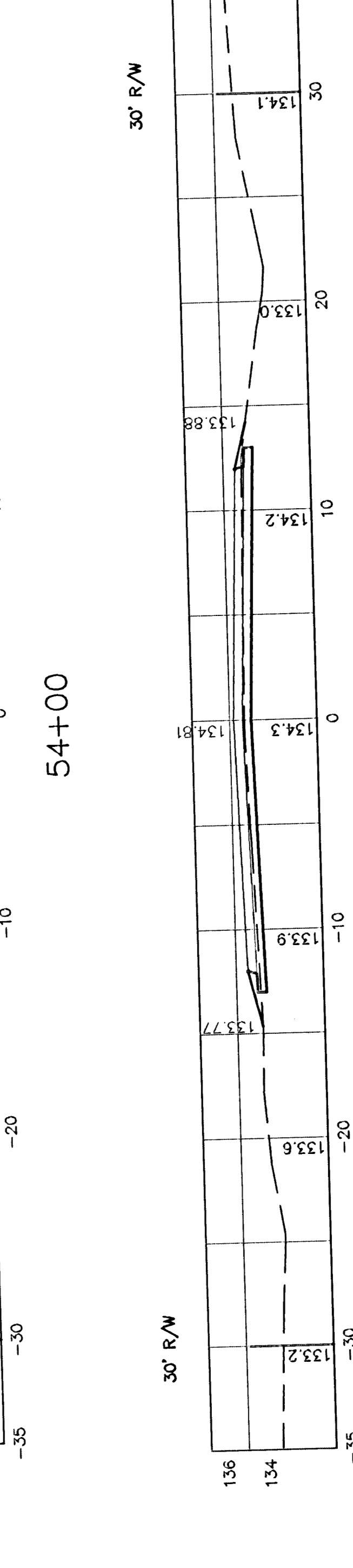
Cut Area: 9.75 ft²
Fill Area: 0.87 ft²



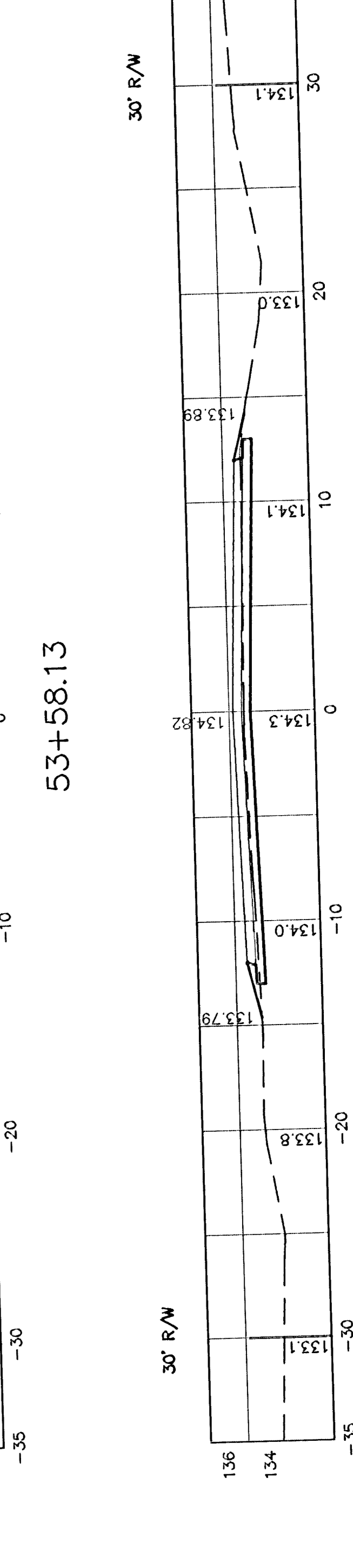
Cut Area: 9.87 ft²
Fill Area: 0.83 ft²



Cut Volume: 128.1 yds
Fill Volume: 26.2 yds



Cut Volume: 113.1 yds
Fill Volume: 24.9 yds



Cut Volume: 110.2 yds
Fill Volume: 24.6 yds

CED PROJ. NO.: 20030988
CERTIFIED ENGINEERING DESIGN, P.A.
CIED 810 WEST DOUGLAS, SUITE C
 WICHITA, KANSAS 67203
 PH: (316) 262-8808
 FAX: (316) 262-1669

SHEET	35
TOTAL	43