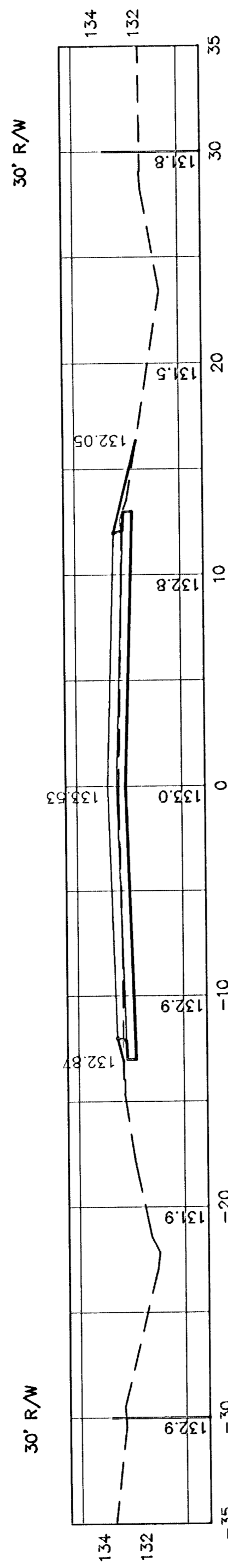


Cut Area: 5.67 ft²
Fill Area: 0.10 ft²

59+76.95

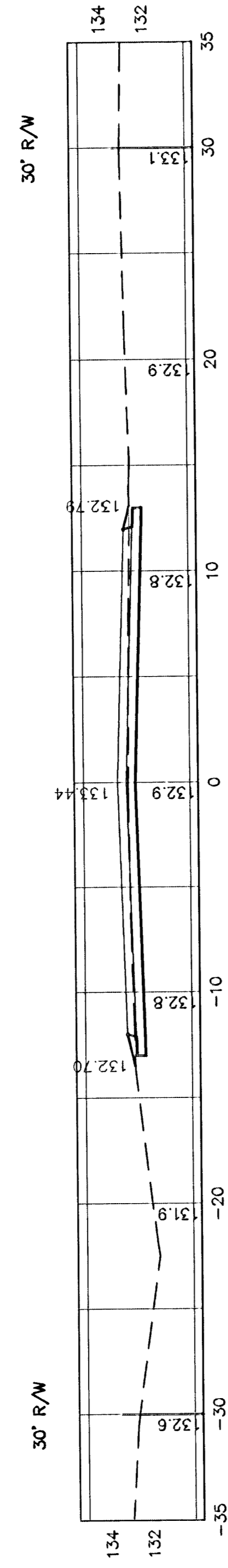
Cut Volume: 353.1 yds
Fill Volume: 39.6 yds



Cut Area: 10.76 ft²
Fill Area: 0.81 ft²

59+50

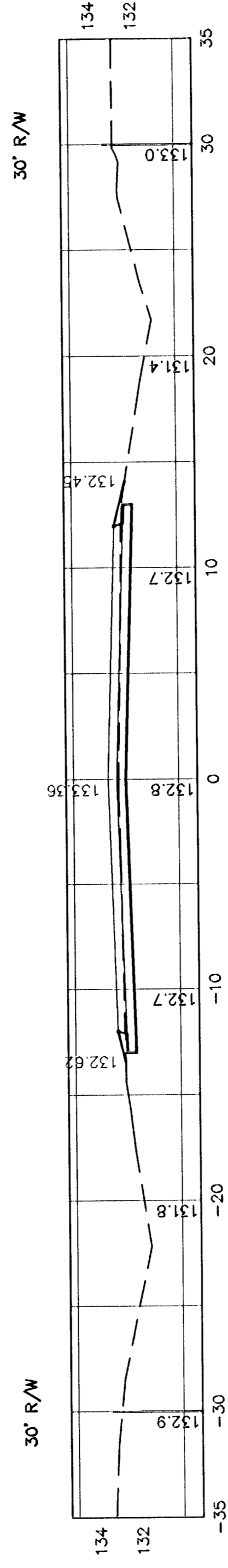
Cut Volume: 344.9 yds
Fill Volume: 35.1 yds



Cut Area: 11.67 ft²
Fill Area: 0.36 ft²

59+00

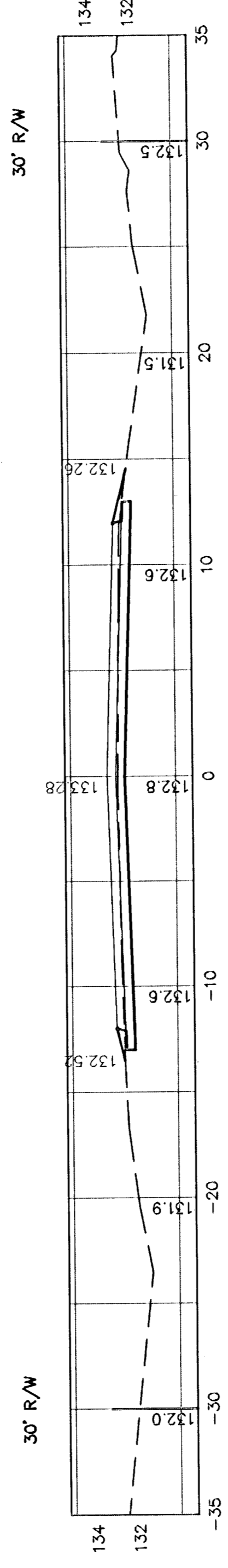
Cut Volume: 324.1 yds
Fill Volume: 35.0 yds



Cut Area: 10.87 ft²
Fill Area: 0.49 ft²

58+50

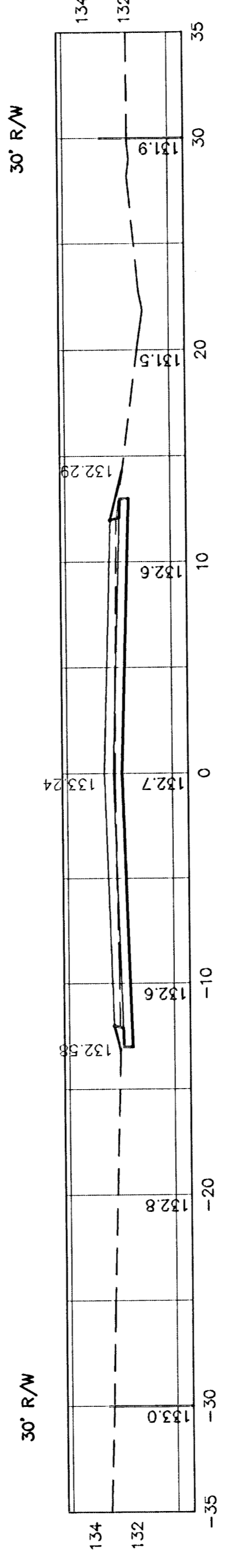
Cut Volume: 303.2 yds
Fill Volume: 37.2 yds



Cut Area: 11.31 ft²
Fill Area: 0.61 ft²

58+00

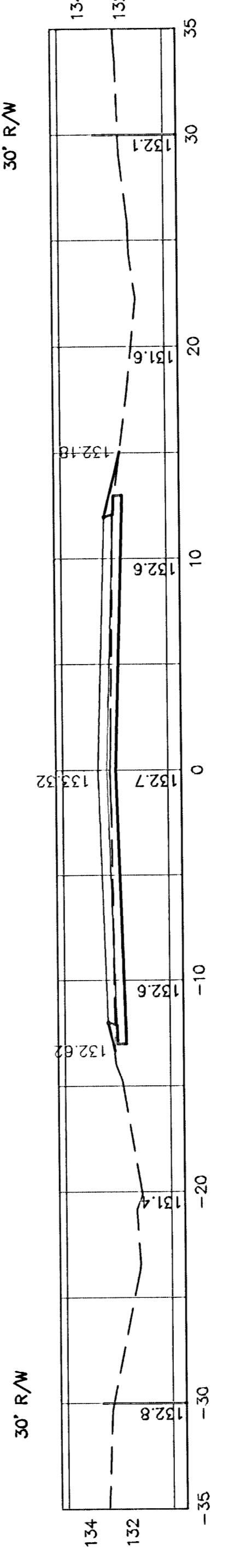
Cut Volume: 282.7 yds
Fill Volume: 36.2 yds



Cut Area: 11.71 ft²
Fill Area: 0.45 ft²

57+80

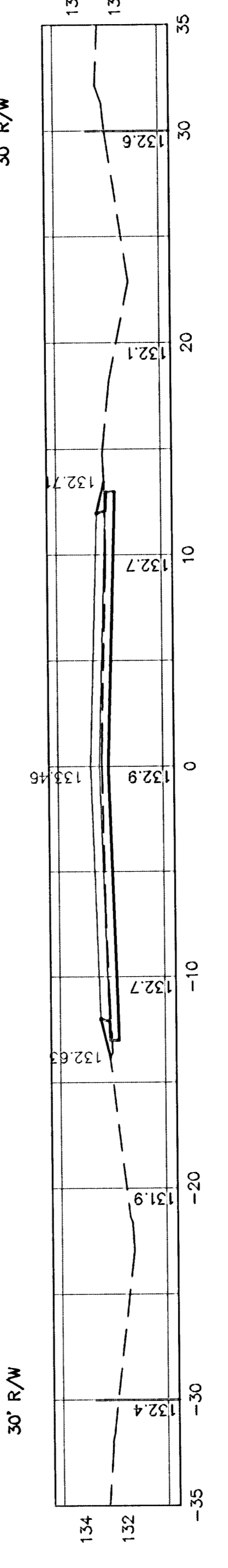
Cut Volume: 274.2 yds
Fill Volume: 35.8 yds



Cut Area: 9.48 ft²
Fill Area: 0.73 ft²

57+50

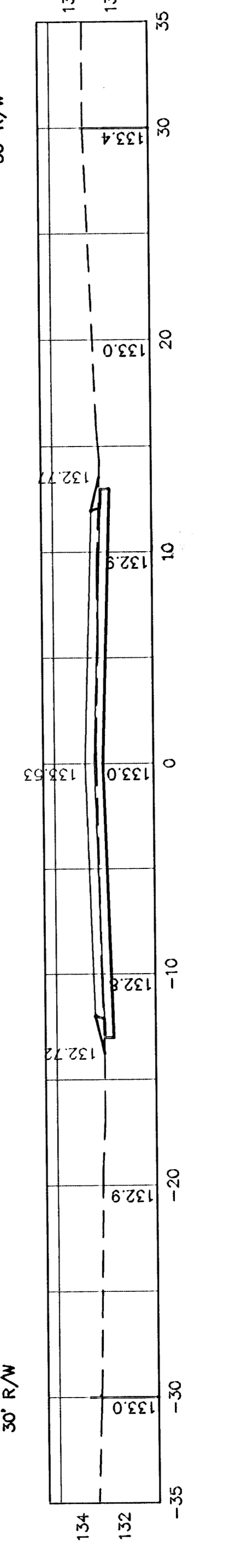
Cut Volume: 262.4 yds
Fill Volume: 35.1 yds



Cut Area: 9.30 ft²
Fill Area: 0.72 ft²

57+00

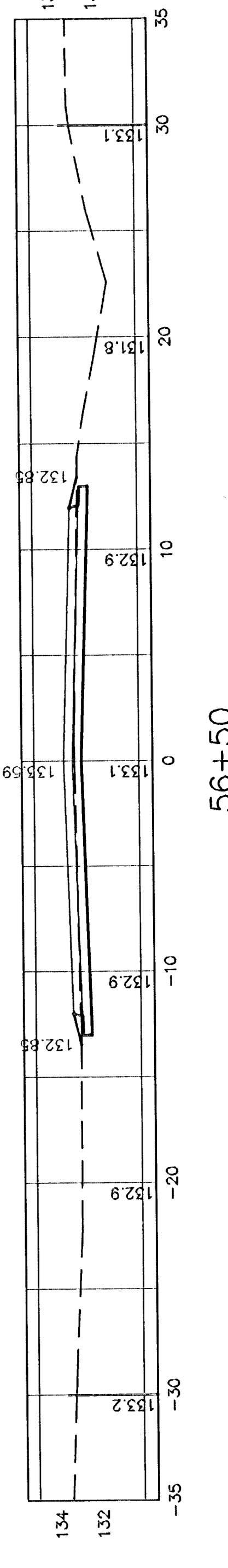
Cut Volume: 245.0 yds
Fill Volume: 33.8 yds



Cut Area: 10.61 ft²
Fill Area: 0.57 ft²

56+71.48

Cut Volume: 234.5 yds
Fill Volume: 33.1 yds



Cut Area: 10.95 ft²
Fill Area: 0.46 ft²

56+50

Cut Volume: 225.9 yds
Fill Volume: 32.7 yds