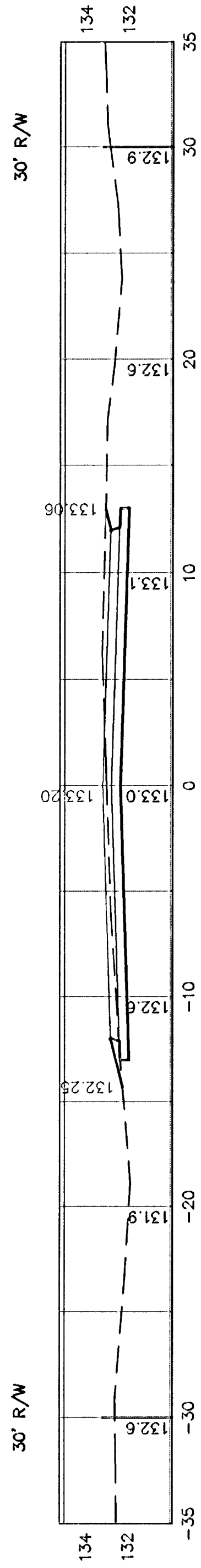


Cut Area: 13.24 ft<sup>2</sup>  
Fill Area: 0.76 ft<sup>2</sup>

76+00

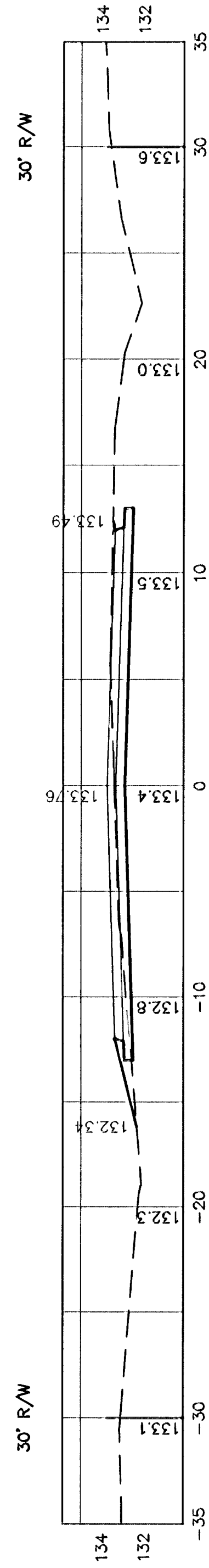
Cut Volume: 255.0 yds  
Fill Volume: 19.4 yds



Cut Area: 15.62 ft<sup>2</sup>  
Fill Area: 0.44 ft<sup>2</sup>

75+80

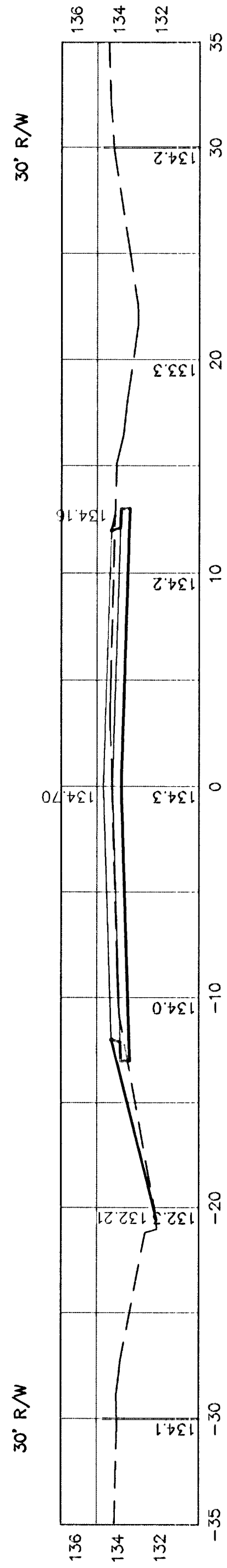
Cut Volume: 254.3 yds  
Fill Volume: 19.0 yds



Cut Area: 19.87 ft<sup>2</sup>  
Fill Area: 1.15 ft<sup>2</sup>

75+50

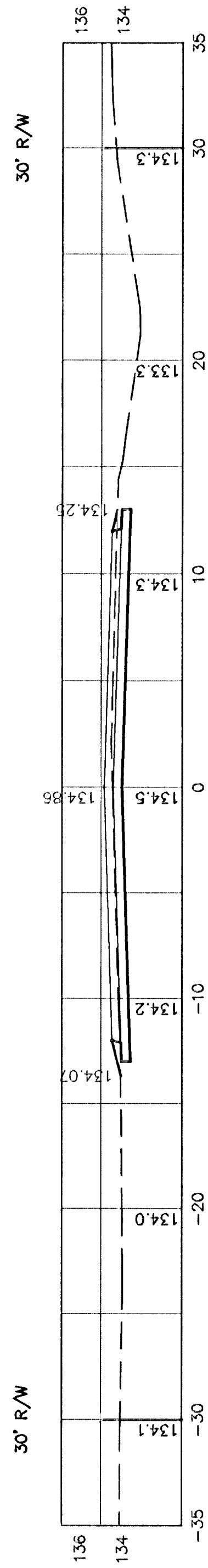
Cut Volume: 234.7 yds  
Fill Volume: 18.1 yds



Cut Area: 13.32 ft<sup>2</sup>  
Fill Area: 2.35 ft<sup>2</sup>

75+00

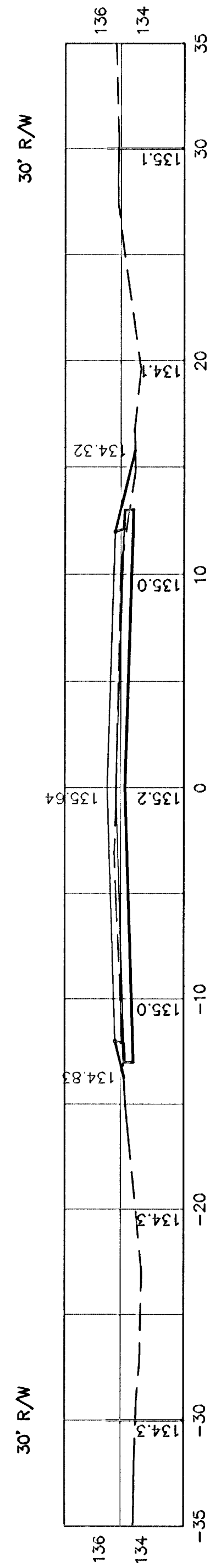
Cut Volume: 204.0 yds  
Fill Volume: 14.7 yds



Cut Area: 13.39 ft<sup>2</sup>  
Fill Area: 0.42 ft<sup>2</sup>

74+91.34

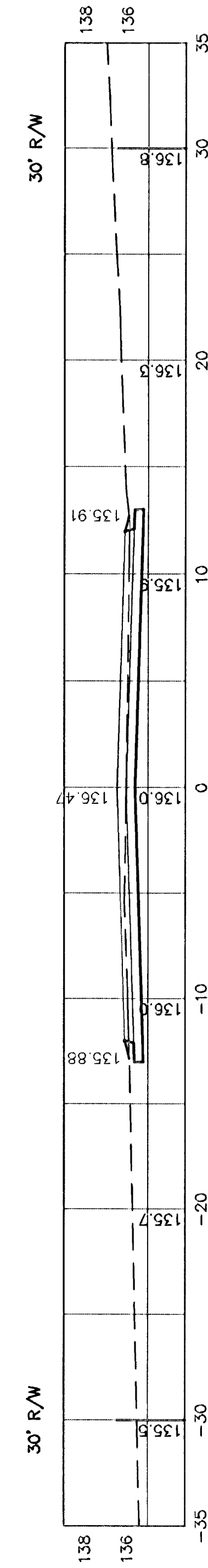
Cut Volume: 199.8 yds  
Fill Volume: 14.3 yds



Cut Area: 12.53 ft<sup>2</sup>  
Fill Area: 1.32 ft<sup>2</sup>

74+50

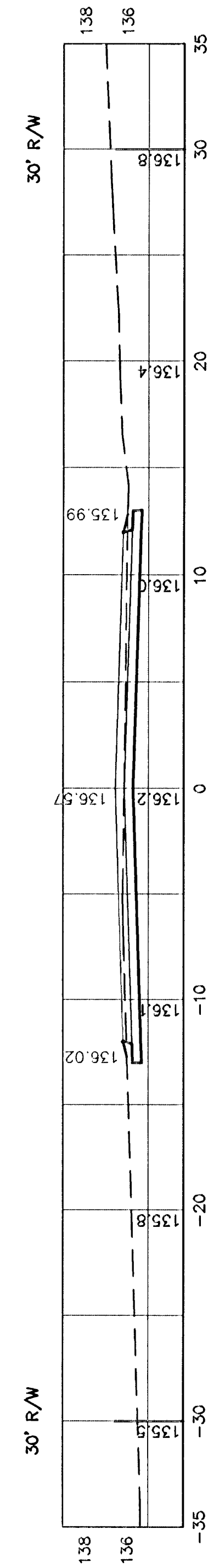
Cut Volume: 179.9 yds  
Fill Volume: 13.0 yds



Cut Area: 8.01 ft<sup>2</sup>  
Fill Area: 0.15 ft<sup>2</sup>

74+05.75

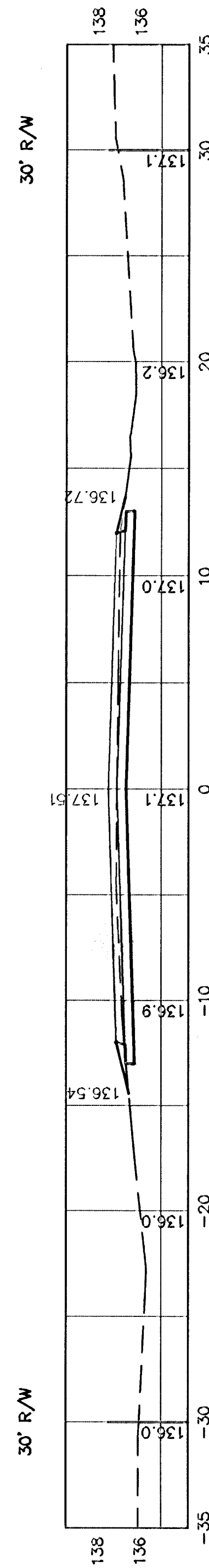
Cut Volume: 163.1 yds  
Fill Volume: 11.7 yds



Cut Area: 7.84 ft<sup>2</sup>  
Fill Area: 0.13 ft<sup>2</sup>

74+00

Cut Volume: 161.4 yds  
Fill Volume: 11.7 yds



Cut Area: 13.86 ft<sup>2</sup>  
Fill Area: 0.59 ft<sup>2</sup>

73+50

Cut Volume: 141.3 yds  
Fill Volume: 11.0 yds