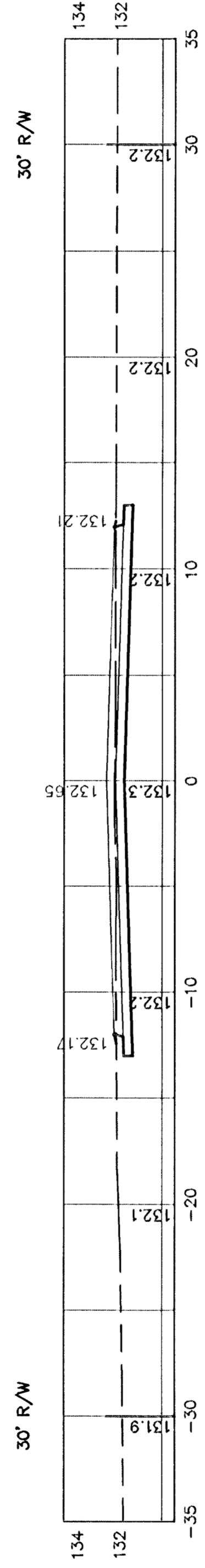


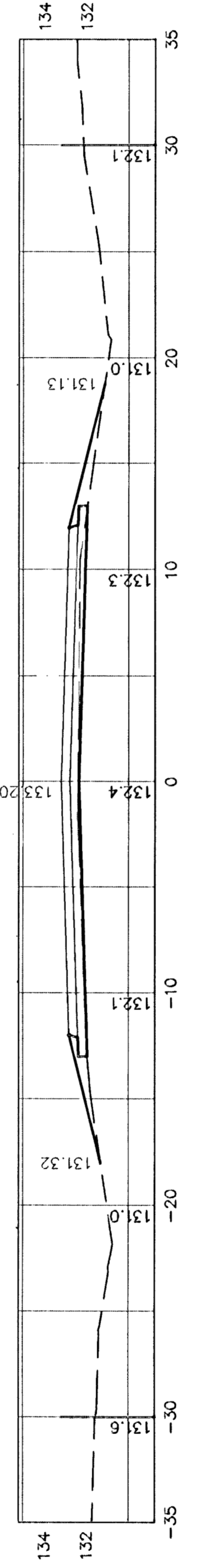
Cut Volume: 297.8 yds
Fill Volume: 37.5 yds

78+04.56



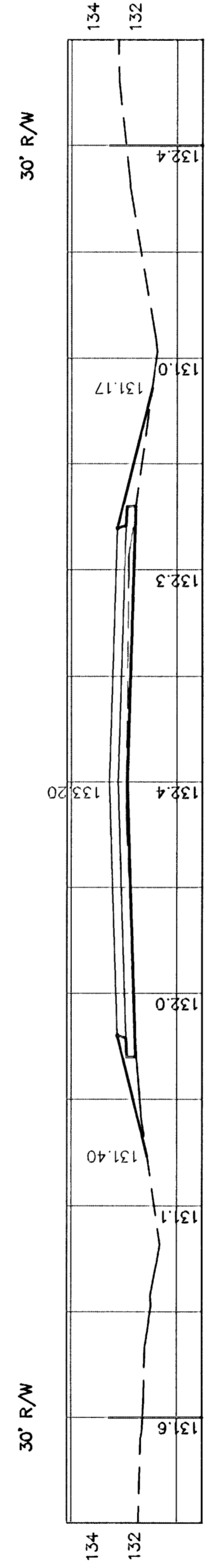
78+00

Cut Volume: 286.9 yds
Fill Volume: 37.5 yds



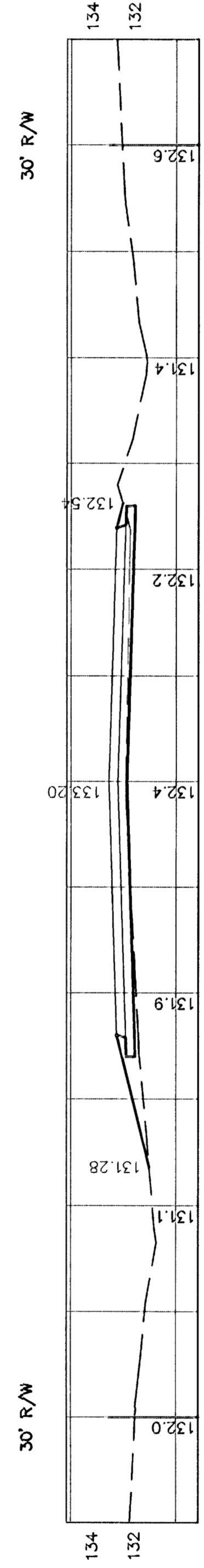
77+62.50

Cut Volume: 251.2 yds
Fill Volume: 34.9 yds



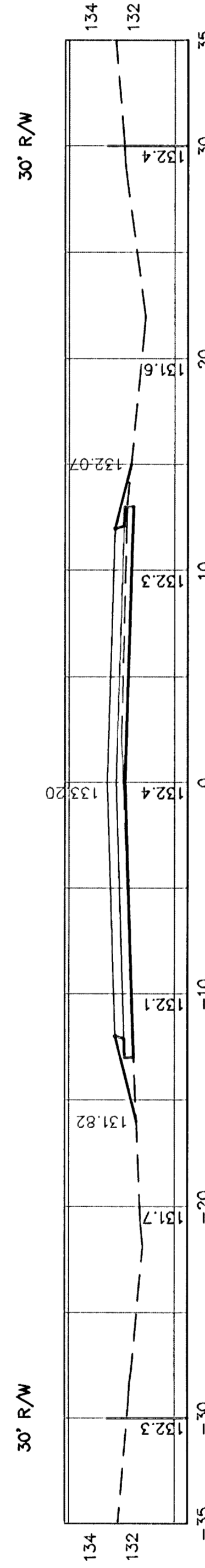
77+50

Cut Volume: 290.1 yds
Fill Volume: 33.1 yds



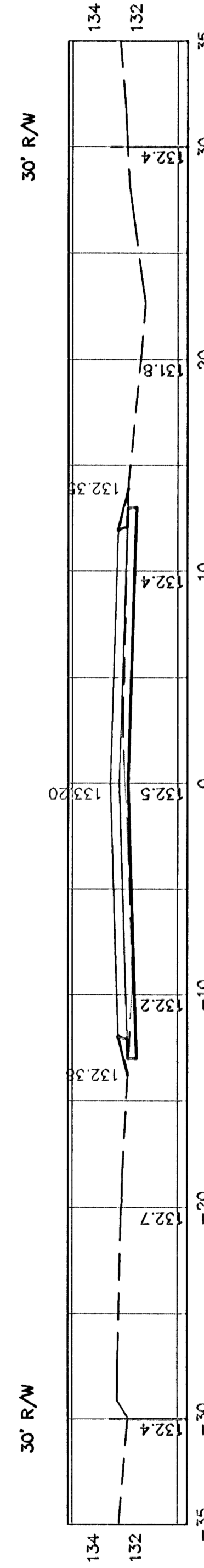
77+00

Cut Volume: 286.3 yds
Fill Volume: 26.2 yds



76+50

Cut Volume: 281.2 yds
Fill Volume: 21.1 yds



76+39.89

Cut Volume: 279.3 yds
Fill Volume: 20.6 yds