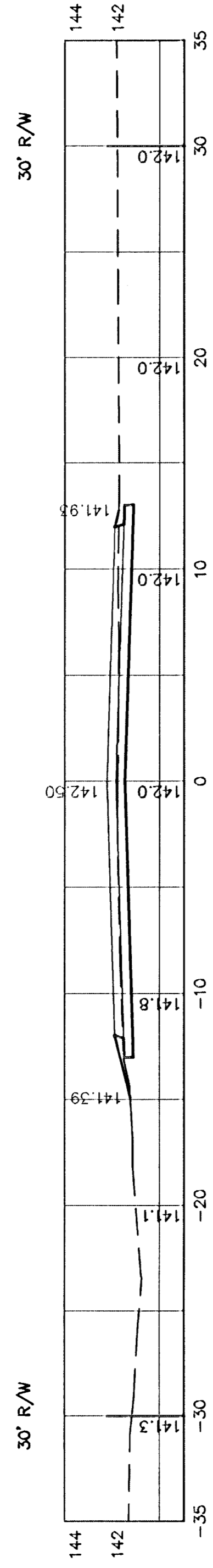


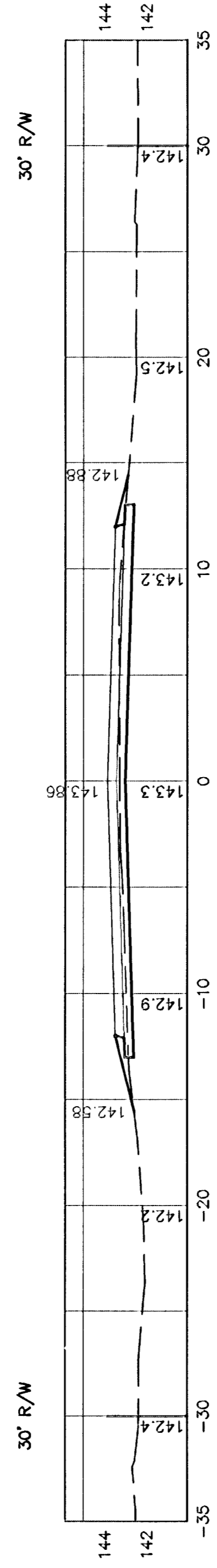
Out Area: 8.37 ft<sup>2</sup>  
Fill Area: 1.54 ft<sup>2</sup>

83+50



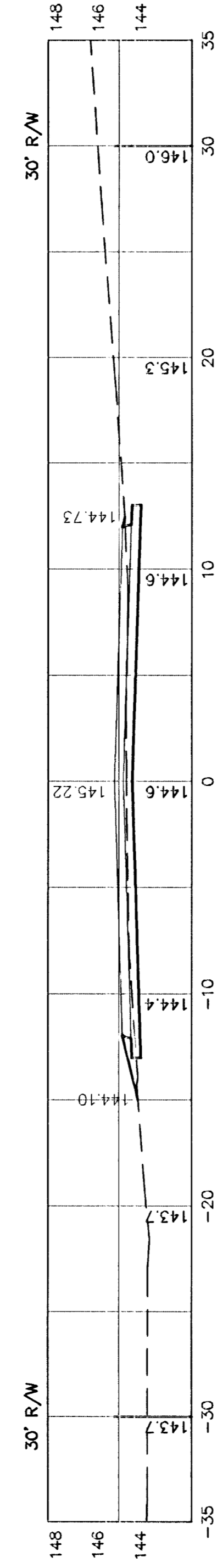
Out Volume: 132.6 yds  
Fill Volume: 8.9 yds

83+00



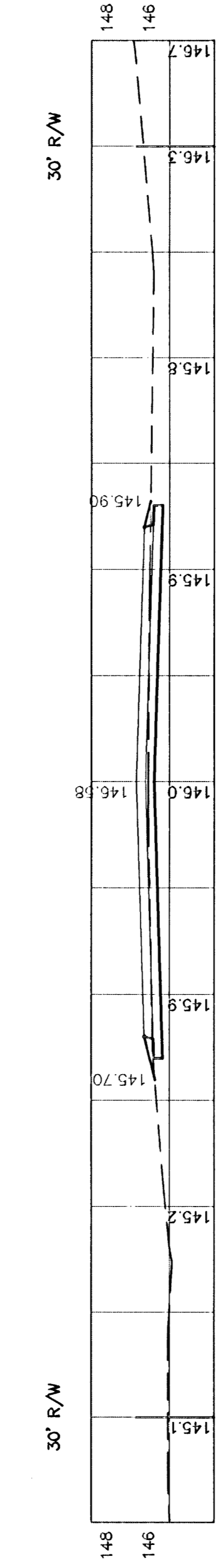
Out Volume: 113.6 yds  
Fill Volume: 7.0 yds

82+50



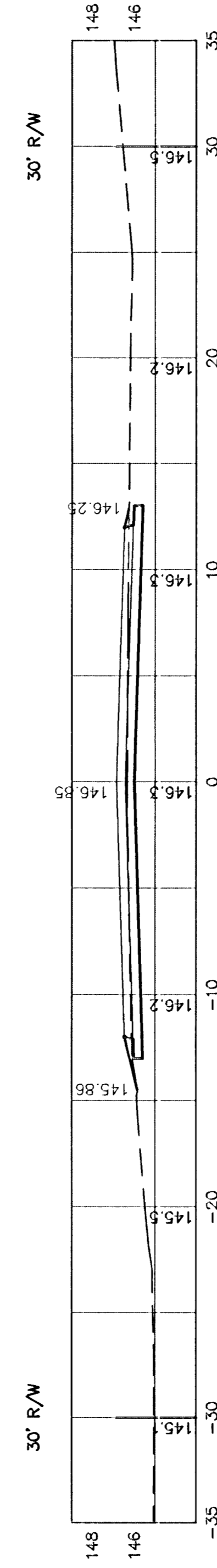
Out Area: 9.15 ft<sup>2</sup>  
Fill Area: 1.19 ft<sup>2</sup>

82+00



Out Volume: 93.9 yds  
Fill Volume: 3.4 yds

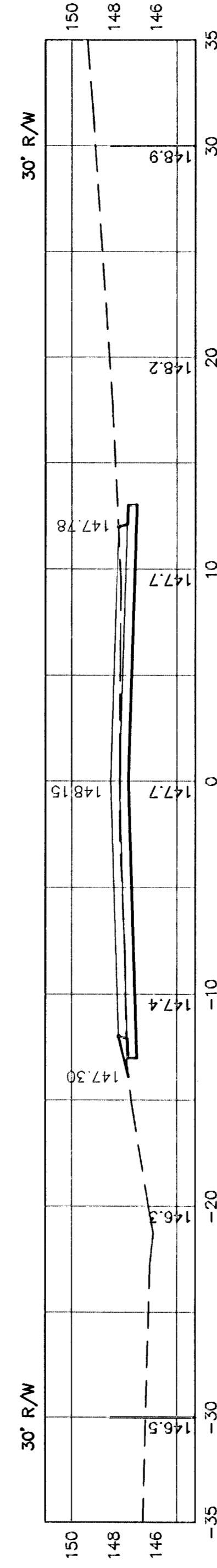
81+50



Out Area: 10.53 ft<sup>2</sup>  
Fill Area: 0.50 ft<sup>2</sup>

Out Volume: 57.5 yds  
Fill Volume: 2.4 yds

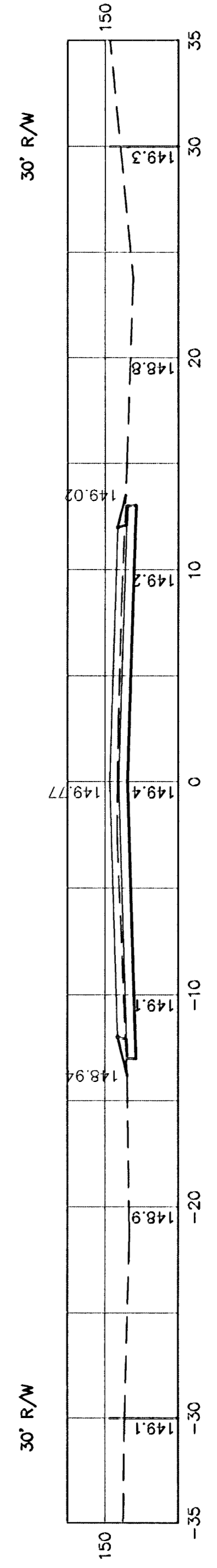
81+40



Out Area: 11.87 ft<sup>2</sup>  
Fill Area: 0.39 ft<sup>2</sup>

Out Volume: 53.3 yds  
Fill Volume: 2.3 yds

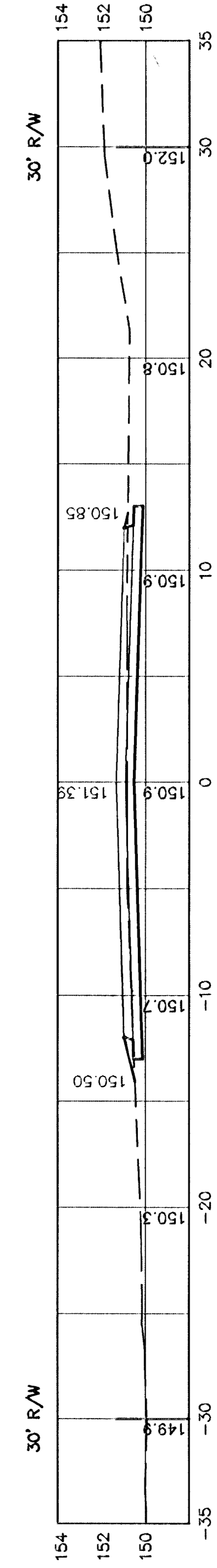
81+00



Out Area: 4.88 ft<sup>2</sup>  
Fill Area: 0.34 ft<sup>2</sup>

Out Volume: 40.8 yds  
Fill Volume: 1.7 yds

80+50



Out Area: 13.46 ft<sup>2</sup>  
Fill Area: 0.55 ft<sup>2</sup>

Out Volume: 23.6 yds  
Fill Volume: 0.9 yds

80+00

Out Volume: 0.0 yds  
Fill Volume: 0.0 yds

CED PROJ. NO.: 20030988

**CERTIFIED ENGINEERING DESIGN, P.A.**



810 WEST DOUGLAS, SUITE C  
WICHITA, KANSAS 67203  
PH: (316) 262-8808  
FAX: (316) 262-1669

SHEET 41  
TOTAL 43