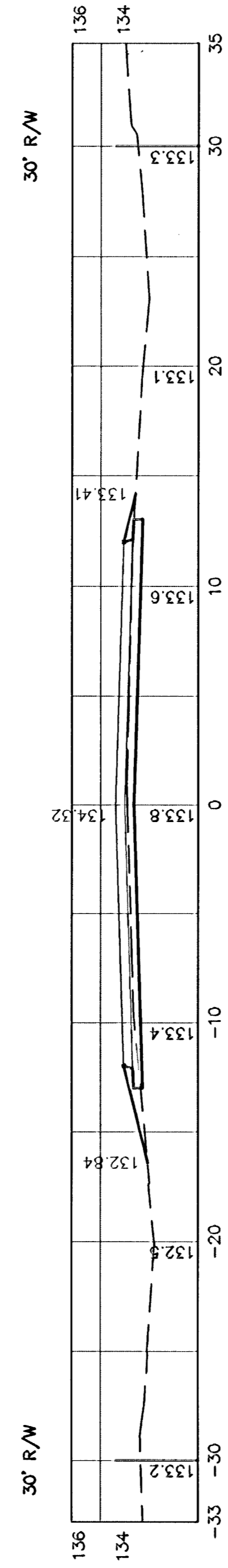


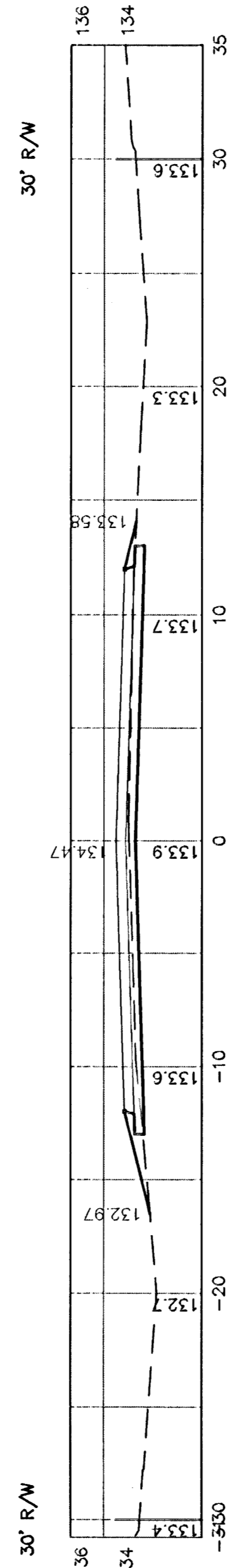
Cut Area: 9.48 ft²
Fill Area: 1.70 ft²

89+88.54



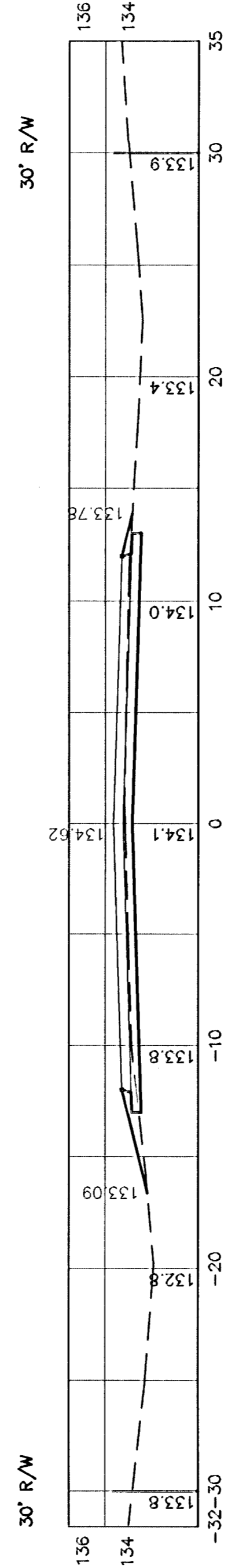
Cut Volume: 341.1 yds
Fill Volume: 37.4 yds

89+50



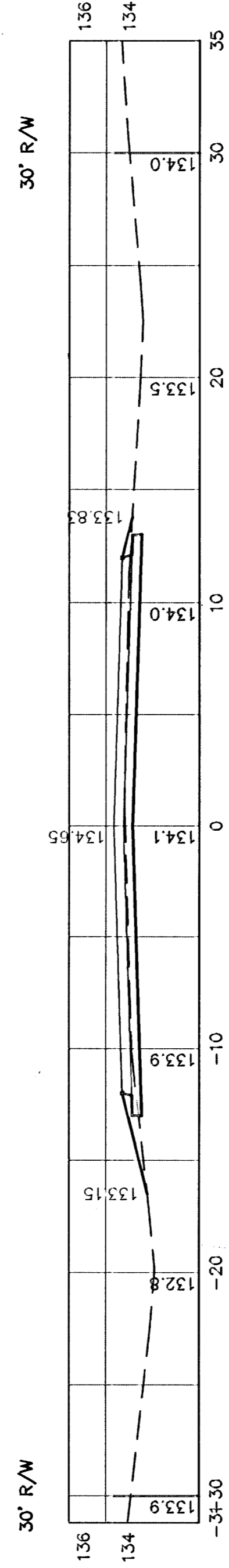
Cut Volume: 328.2 yds
Fill Volume: 35.0 yds

89+00



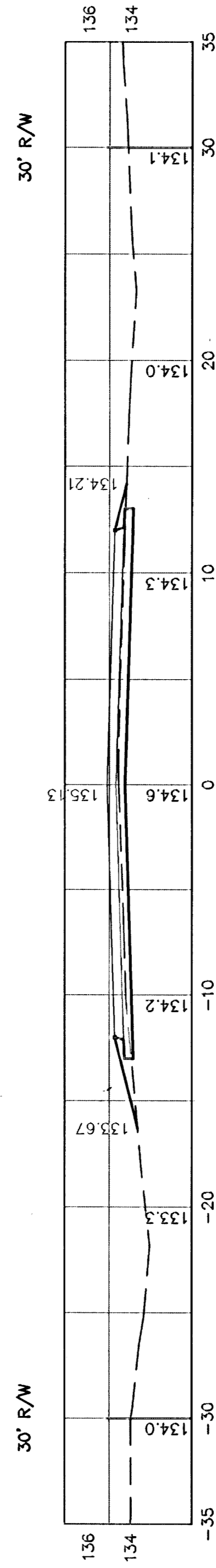
Cut Volume: 312.8 yds
Fill Volume: 32.0 yds

88+50



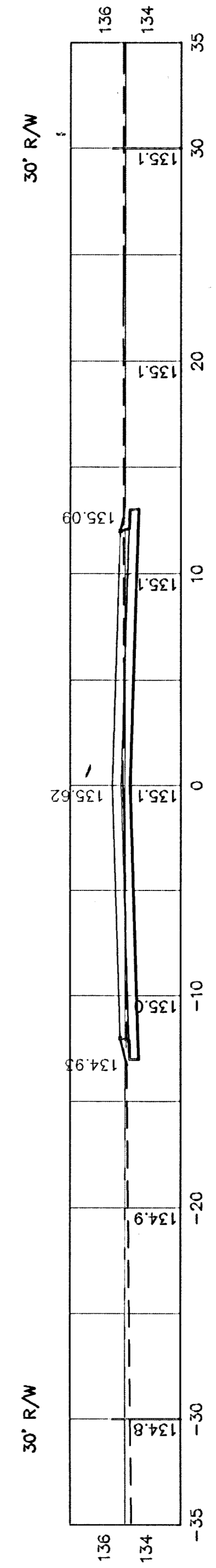
Cut Volume: 296.5 yds
Fill Volume: 29.0 yds

88+40



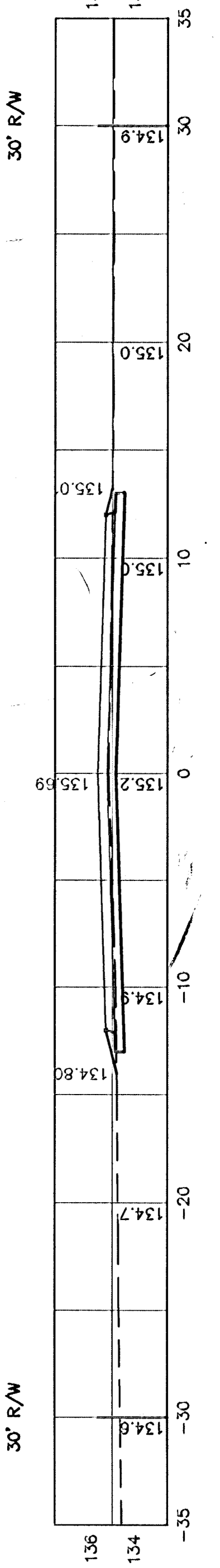
Cut Volume: 292.8 yds
Fill Volume: 28.4 yds

88+00



Cut Volume: 279.3 yds
Fill Volume: 26.2 yds

87+58.54



Cut Volume: 264.3 yds
Fill Volume: 24.5 yds

87+50

Cut Volume: 260.8 yds
Fill Volume: 24.6 yds

CED PROJ. NO.: 20030988

CERTIFIED ENGINEERING DESIGN, P.A.



810 WEST DOUGLAS, SUITE C
WICHITA, KANSAS 67203
PH: (316) 262-8808
FAX: (316) 262-1669

SHEET 43
TOTAL 43