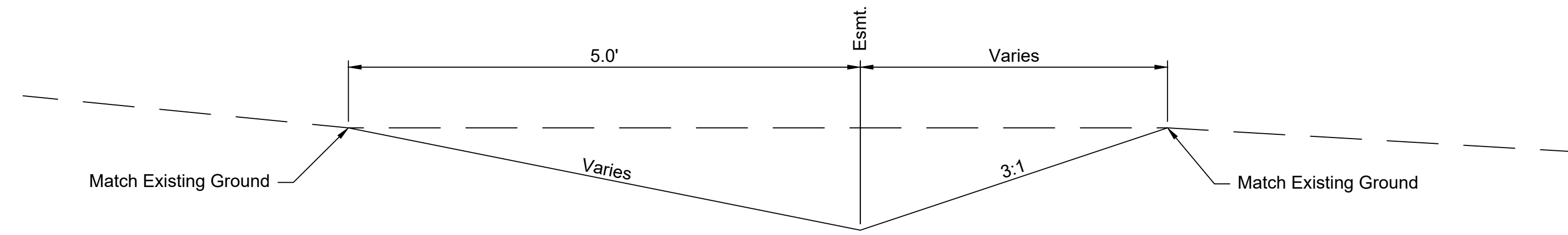
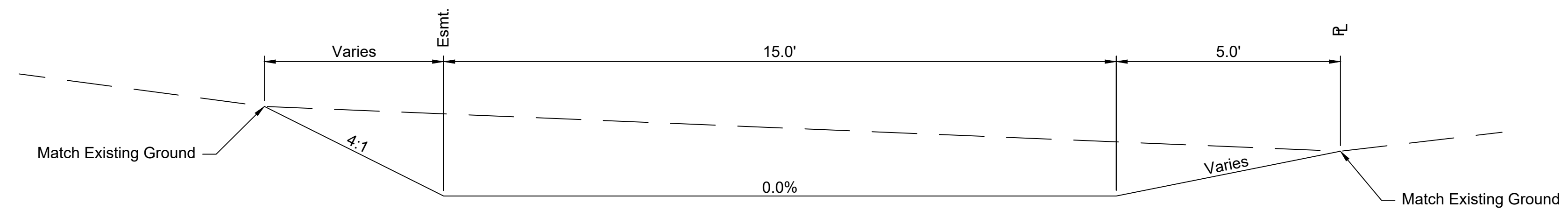




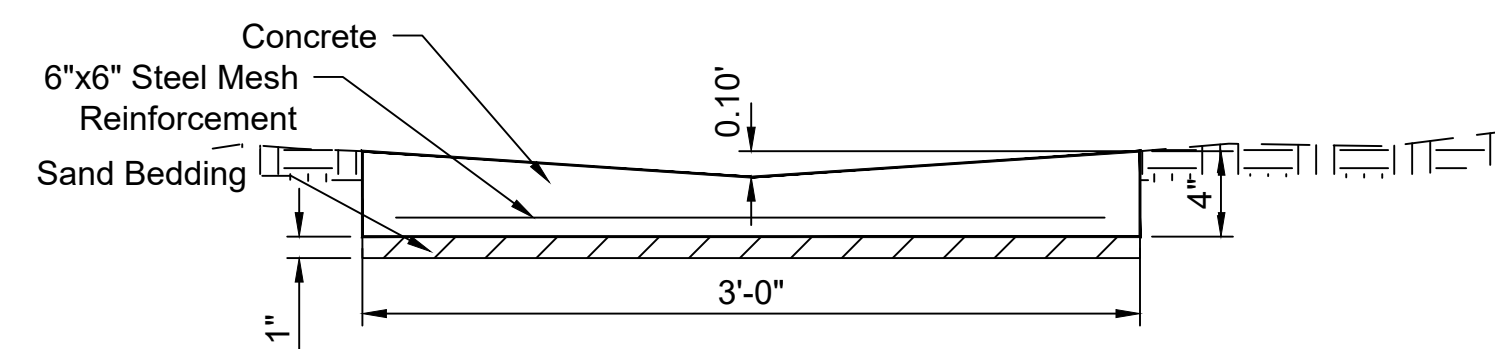
© 2021 GARVER, LLC
 THIS DOCUMENT, ALONG WITH THE IDEAS AND DESIGNS CONVEYED HEREIN, SHALL BE CONSIDERED INSTRUMENTS OF PROFESSIONAL SERVICE AND ARE PROPERTY OF GARVER, LLC. ANY USE, REPRODUCTION, OR DISTRIBUTION OF THIS DOCUMENT, ALONG WITH THE IDEAS AND DESIGN CONTAINED HEREIN, IS PROHIBITED UNLESS AUTHORIZED IN WRITING BY GARVER, LLC OR EXPLICITLY ALLOWED IN THE GOVERNING PROFESSIONAL SERVICES AGREEMENT FOR THIS WORK.



Section A-A



Section B-B

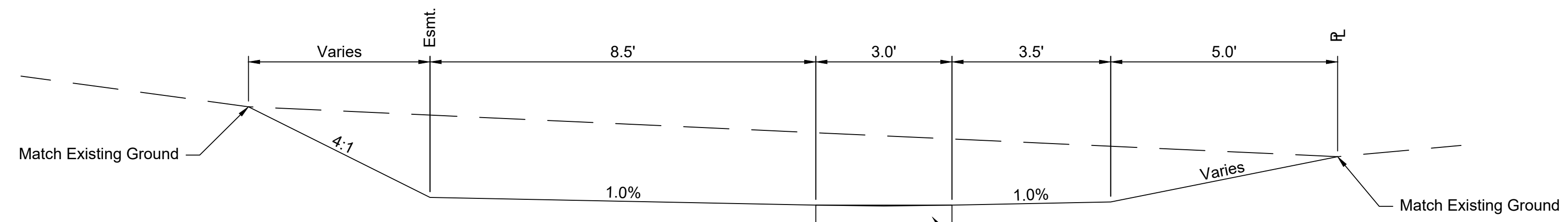


CONCRETE FLUME DETAIL

NOT TO SCALE

NOTES:

1. CONSTRUCTION JOINTS SPACED @ 25' (CONSTRUCTION JOINTS MAY BE SAWN JOINTS)
2. NOTE: EARTHWORK SHALL BE FILLED OR EXCAVATED TO ENSURE FLUME MEETS PROPOSED ELEVATIONS.



Section C-C

REV.	DATE	DESCRIPTION	BY



CITY OF WICHITA
 WICHITA, KANSAS
 CLEAR CREEK ADDITION
 PAVING & DRAINAGE

GRADING SECTIONS

JOB NO.: 20T41005
 DATE: MAR 2021
 DESIGNED BY: EJJ
 DRAWN BY: CDJ

BAR IS ONE INCH ON ORIGINAL DRAWING
 0 1" IF NOT ONE INCH ON THIS SHEET, ADJUST SCALES ACCORDINGLY.

DRAWING NUMBER

SHEET NUMBER **20** OF **31**