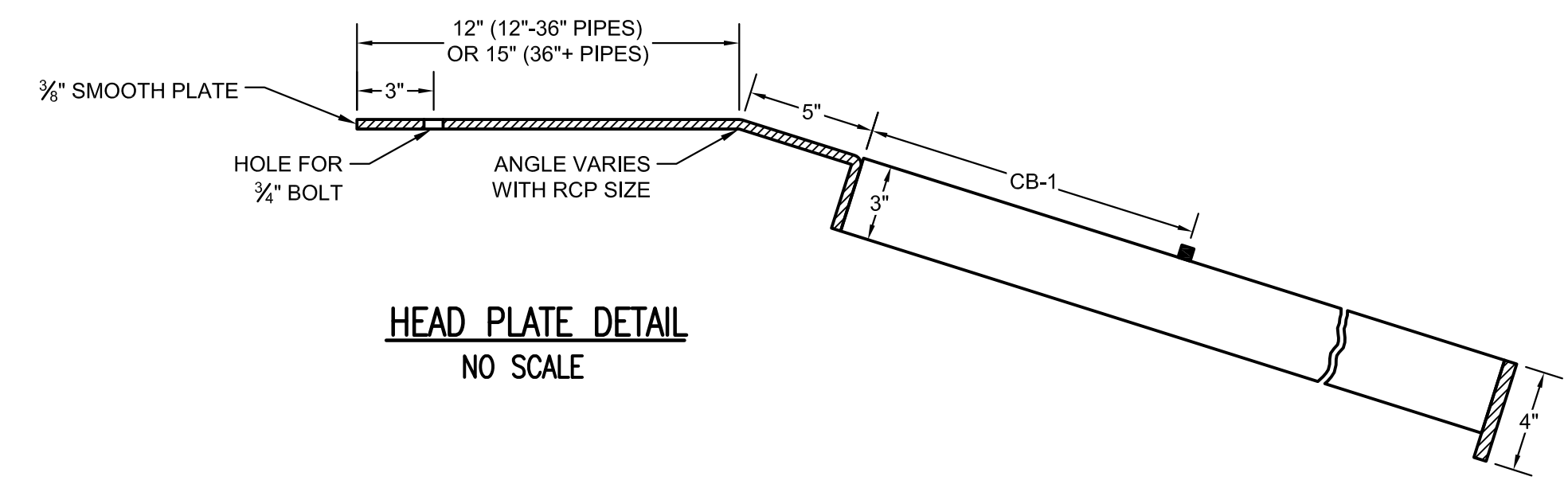
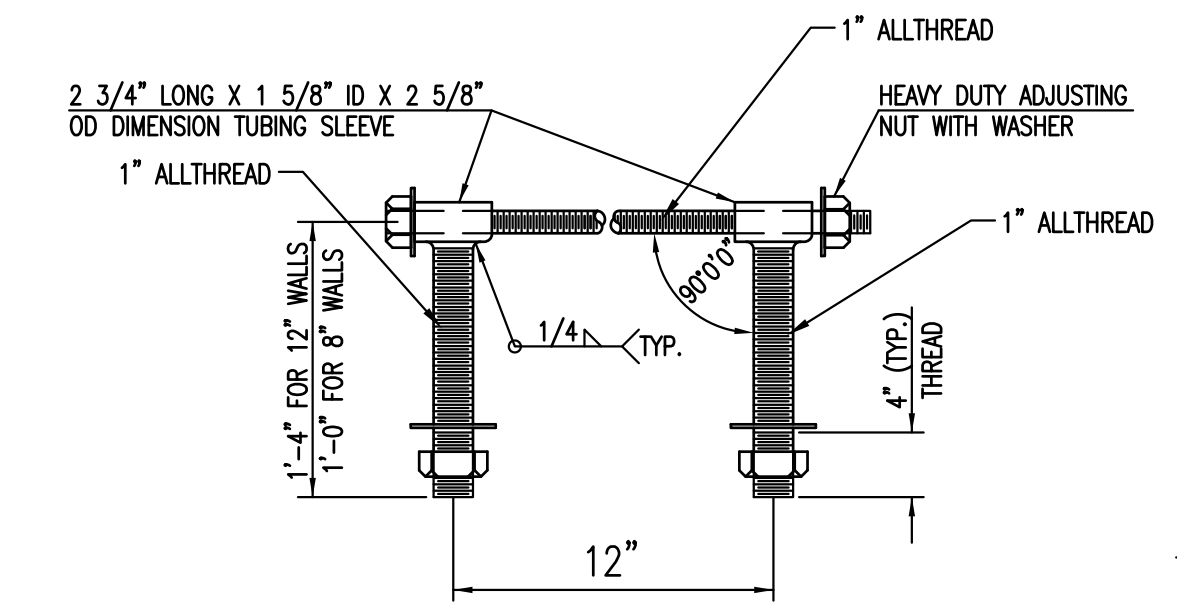


END GRATE DETAIL
NO SCALE
NOTE: GRATE TO BE USED AS DIRECTED BY THE CITY OF WICHITA.

GRATE DIMENSIONS													
PIPE SIZE	HEAD PLATE	A	B	C	D	E	F	CB-1	CB-2	CB-3	CB-4	SP-1	SP-2
12"	13"	19 1/4"	19 3/8"	-	-	-	27"	10 3/8"	-	-	-	3@4"	3@6"
15"	13"	23 1/2"	25 1/4"	-	-	-	34"	10 3/4"	-	-	-	3@4"	3@8"
18"	13"	25"	26 1/8"	-	-	-	40"	12 7/8"	-	-	-	3@4"	3@9"
24"	17"	41 1/2"	42 1/2"	43 1/2"	-	-	53"	12"	15"	-	-	4@4"	4@9"
30"	19"	51 1/2"	52 1/2"	53 1/2"	-	-	65"	16 1/4"	11 3/4"	12"	-	2@3"+3@4"	5@9"
36"	21"	60 1/2"	61 1/2"	62 1/2"	-	-	78"	18 5/8"	14 1/4"	16"	-	2@2"+4@4"	6@9"
42"	22"	65 1/2"	66 1/2"	67 3/8"	68 3/4"	-	86"	13 3/8"	12 5/8"	13"	11 3/4"	7@3"	7@9"
48"	25"	70 7/8"	71"	71 3/4"	73"	74 1/2"	90"	16 1/4"	14 3/4"	14 3/4"	14 3/4"	8@3"	8@9"
54"	26"	71 3/4"	73"	74 1/2"	74 3/4"	76 3/4"	96"	6 7/8"	20 7/8"	17 7/8"	15 5/8"	4@2 3/4"+5@3"	9@9"
60"	28"	61 1/8"	61 3/4"	62 3/4"	64 1/2"	66 5/8"	102"	12"	12"	11 1/2"	13"	2@2"+8@3"	10@9"

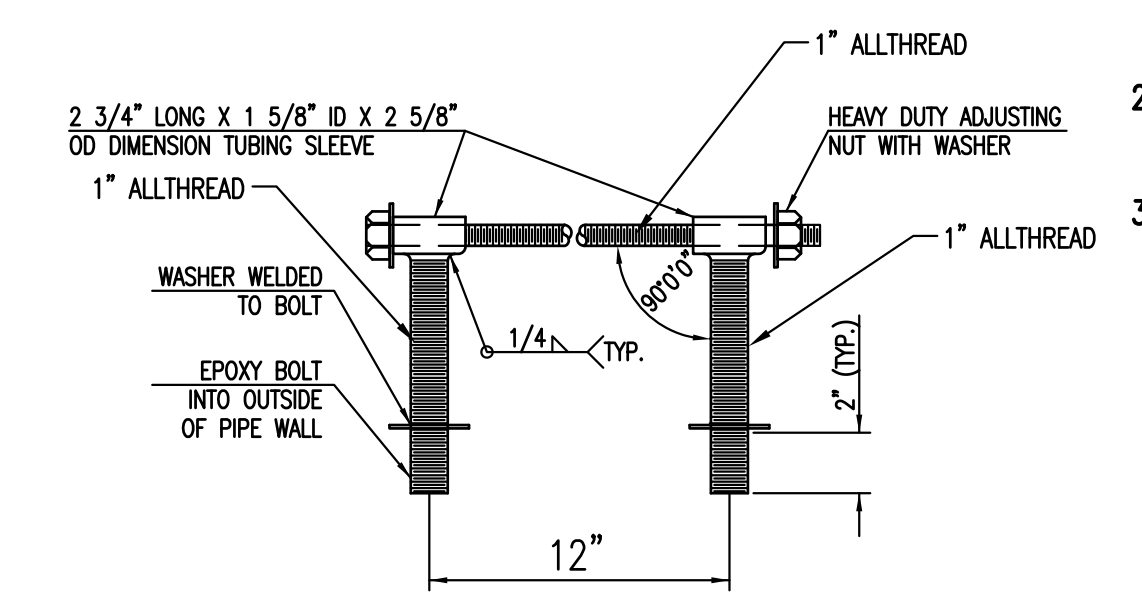


HEAD PLATE DETAIL
NO SCALE



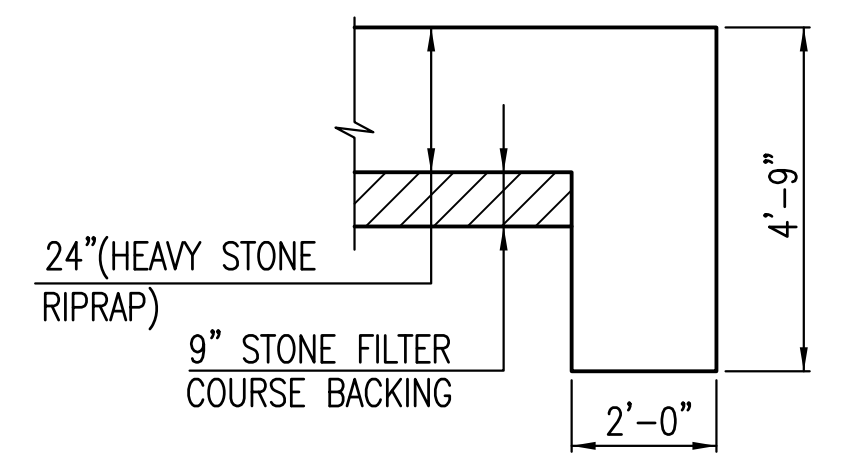
HEAVY DUTY (H.D.) COUPLER (>=36")
NO SCALE

- NOTES
1. BOLTS TO BE A-36 1 1/2" DIAMETER.
 2. BOLTS, NUTS, WASHERS AND SLEEVES TO BE ZINC PLATED.
 3. WASHERS TO BE 3 1/2" O.D. X 7 GAUGE.
 4. SHIP WITH NUTS AND WASHERS PLACED ON BOLTS.



HEAVY DUTY (H.D.) COUPLER (<=30")
NO SCALE

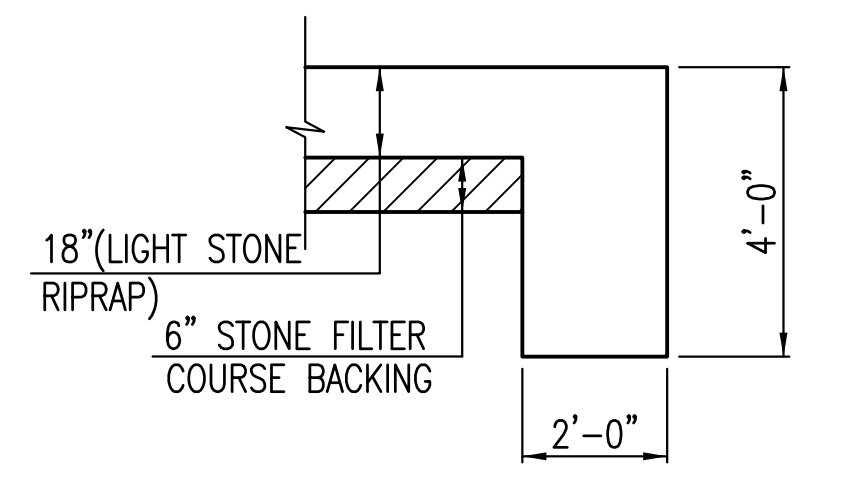
- NOTES
1. BOLTS TO BE A-36 1 1/2" DIAMETER.
 2. BOLTS, NUTS, WASHERS AND SLEEVES TO BE ZINC PLATED.
 3. WASHERS TO BE 3 1/2" O.D. X 7 GAUGE.
 4. SHIP WITH NUTS AND WASHERS PLACED ON BOLTS.



TYPICAL SECTION THRU TOEWALL
NO SCALE

- NOTES
1. ALL RIPRAP FOR THIS PROJECT SHALL BE NATURAL STONE. NEITHER BROKEN CONCRETE, FABRIC ENVELOPE, NOR PREMIXED DRY PACKAGED CONCRETE BAG ALTERNATES WILL BE ALLOWED, UNLESS INDICATED OTHERWISE.
 2. TOEWALLS SHALL BE INSTALLED ALONG ALL UNPROTECTED EDGES OF STONE RIPRAP.
 3. GROUTING OF THE SURFACE OF THE RIPRAP SHALL NOT BE PERFORMED, UNLESS INDICATED OTHERWISE. GROUTING OF THE TOEWALLS SHALL BE PERFORMED PER CITY SPECIFICATIONS.

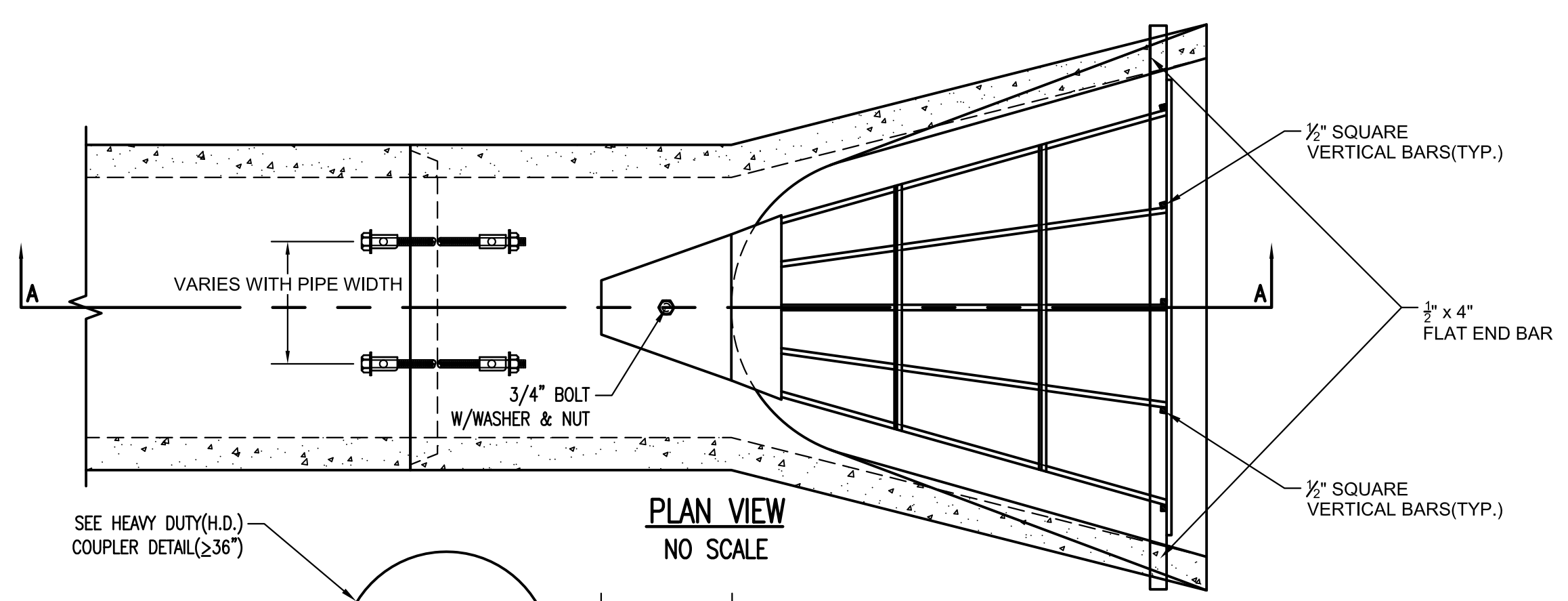
HEAVY STONE RIPRAP DETAILS



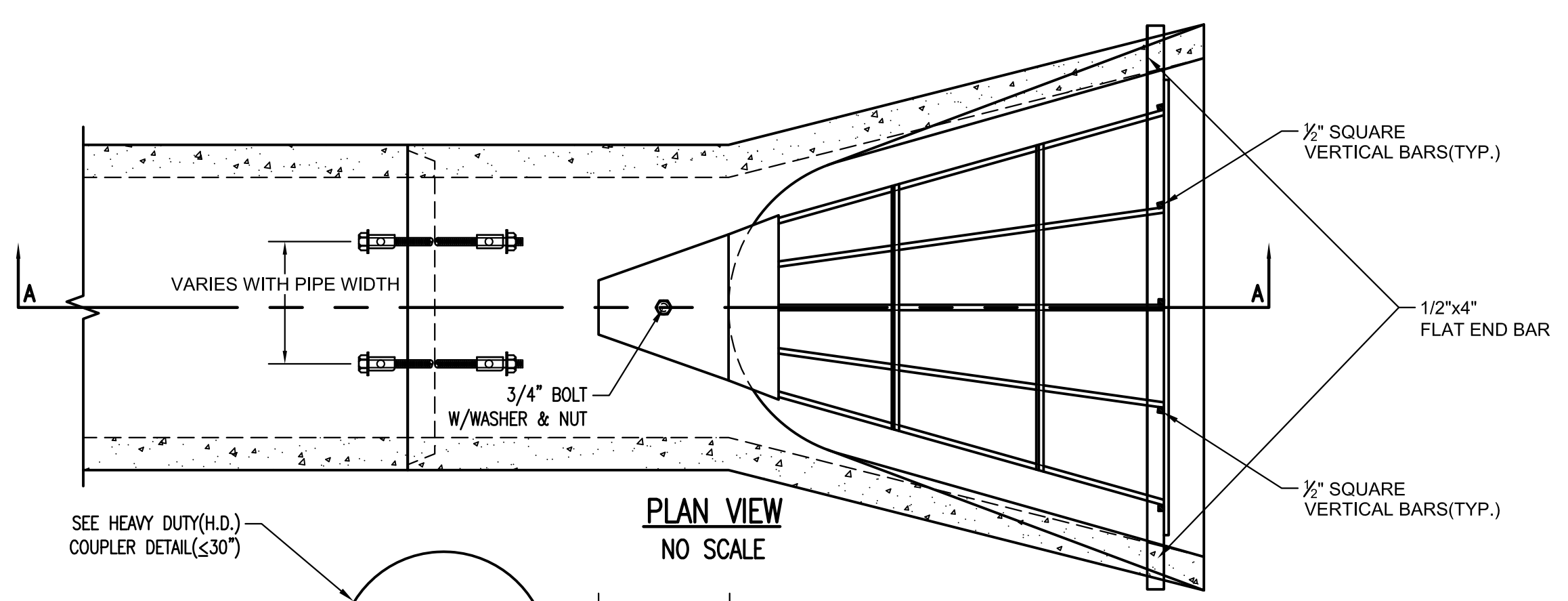
TYPICAL SECTION THRU TOEWALL
NO SCALE

- NOTES
1. ALL RIPRAP FOR THIS PROJECT SHALL BE NATURAL STONE. NEITHER BROKEN CONCRETE, FABRIC ENVELOPE, NOR PREMIXED DRY PACKAGED CONCRETE BAG ALTERNATES WILL BE ALLOWED, UNLESS INDICATED OTHERWISE.
 2. TOEWALLS SHALL BE INSTALLED ALONG ALL UNPROTECTED EDGES OF STONE RIPRAP.
 3. GROUTING OF THE SURFACE OF THE RIPRAP SHALL NOT BE PERFORMED, UNLESS INDICATED OTHERWISE. GROUTING OF THE TOEWALLS SHALL BE PERFORMED PER CITY SPECIFICATIONS.

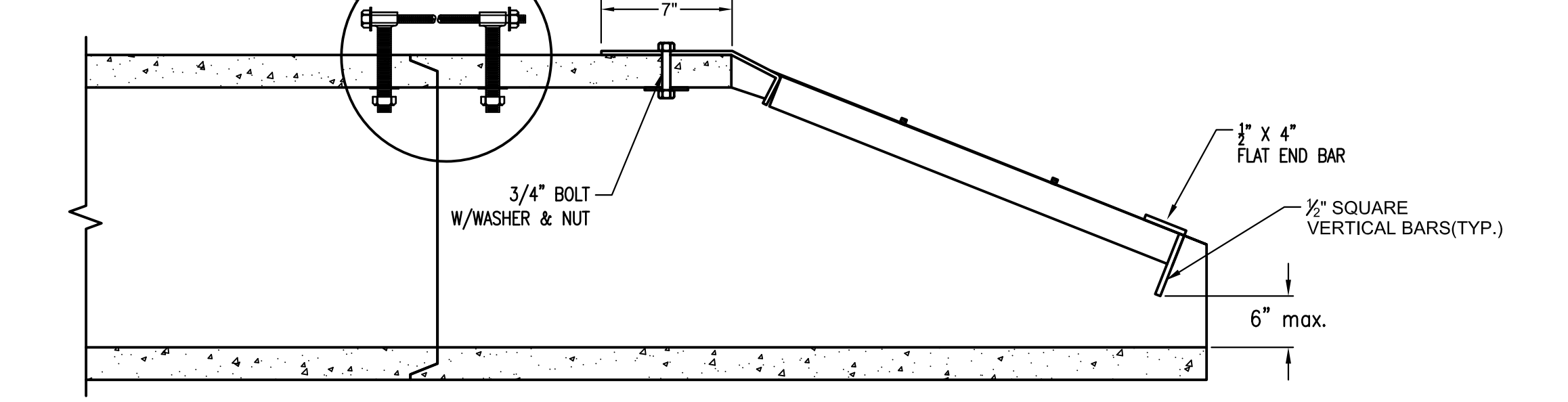
LIGHT STONE RIPRAP DETAILS



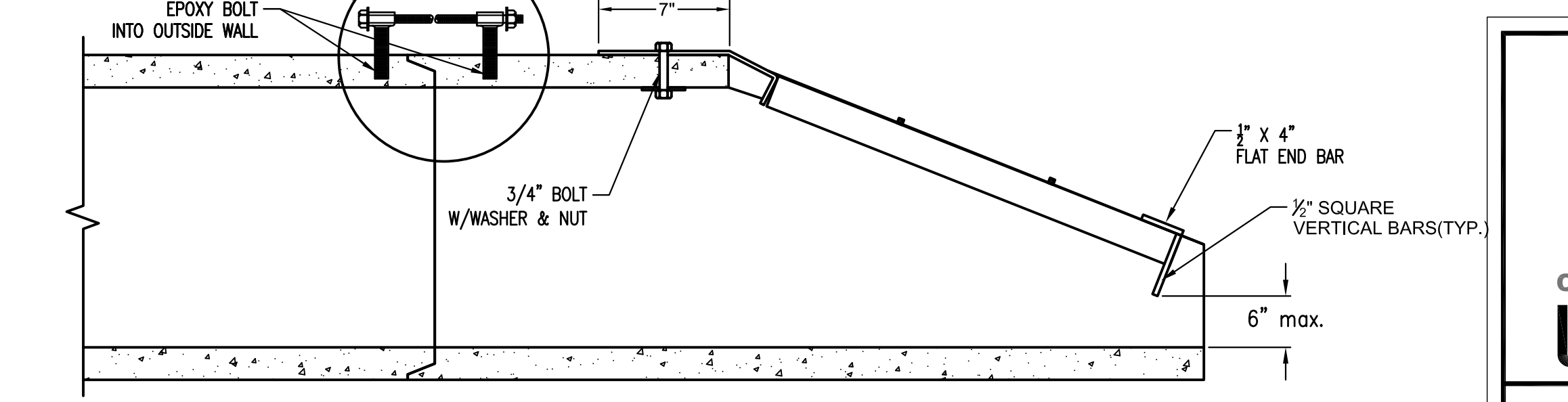
PLAN VIEW
NO SCALE



PLAN VIEW
NO SCALE



SECTION A-A



SECTION A-A

CITY OF WICHITA
PUBLIC WORKS & UTILITIES
ENGINEERING DIVISION

END SECTION, PIPE RESTRAINT COUPLER & END GRATE

CITY ENGINEER
GARY JANZEN, P.E.

PROJECT NUMBER	OCA NUMBER	DATE
		01/2015
CITY ENGINEER'S OFFICE	DESIGN	DRAWN
CITY HALL - SEVENTH FLOOR 455 NORTH MAIN STREET WICHITA, KANSAS 67202-1620 (316) 268-4501		SHEET
		2.2