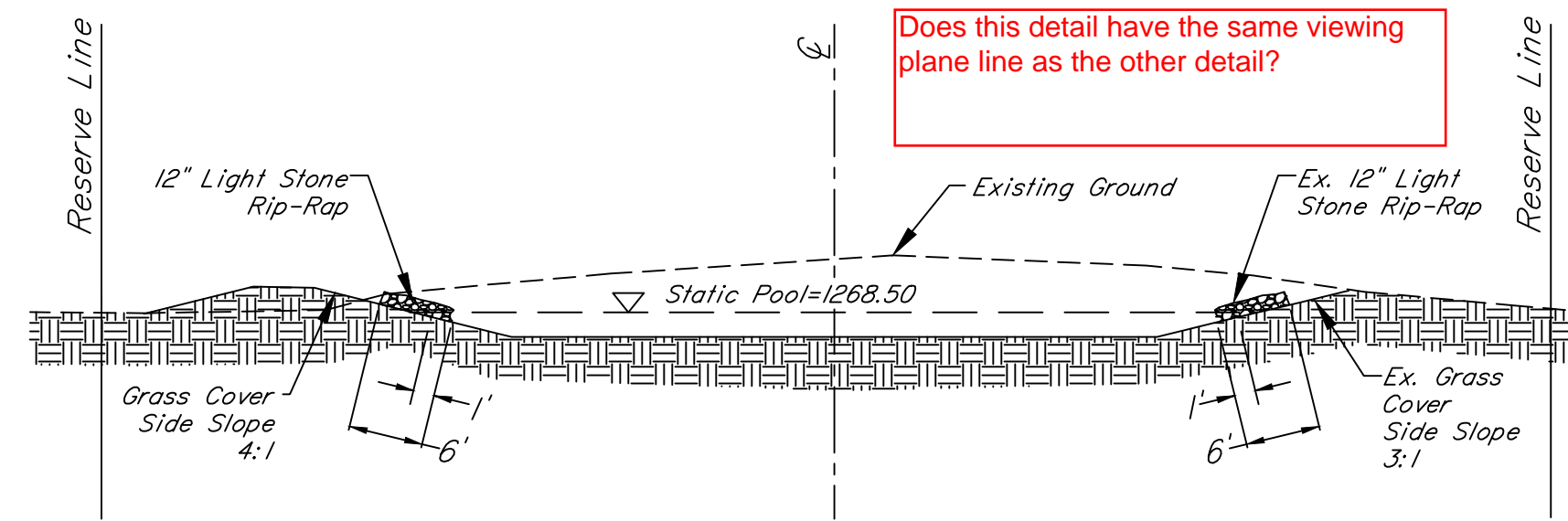
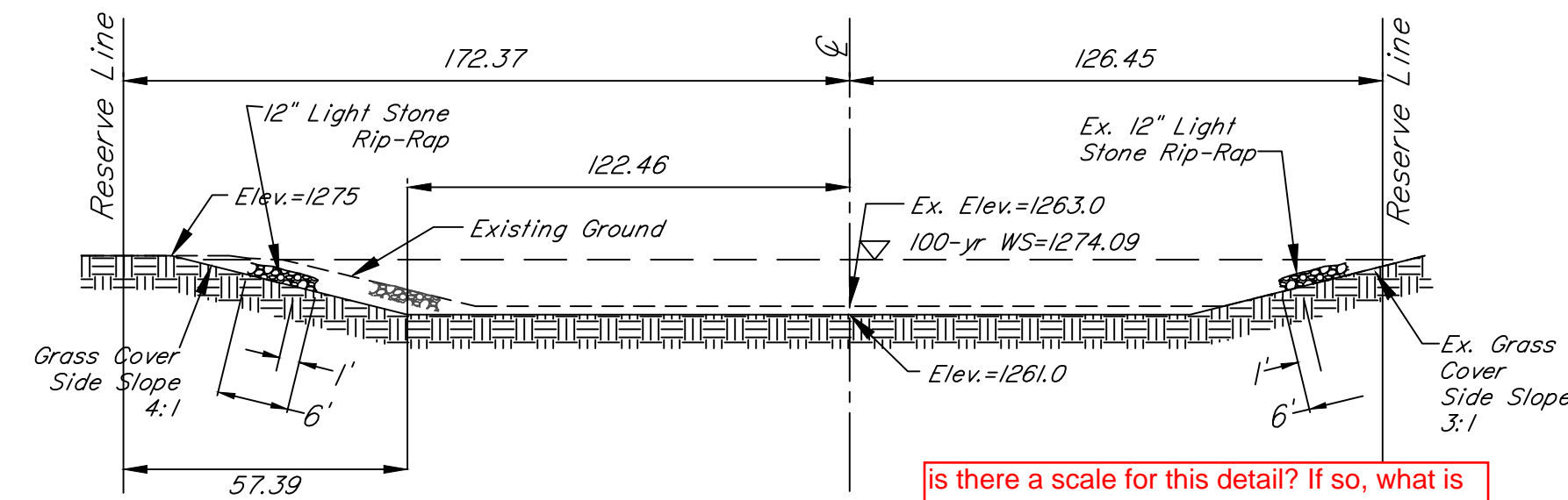


Typical Slope Protection
Detention Pond

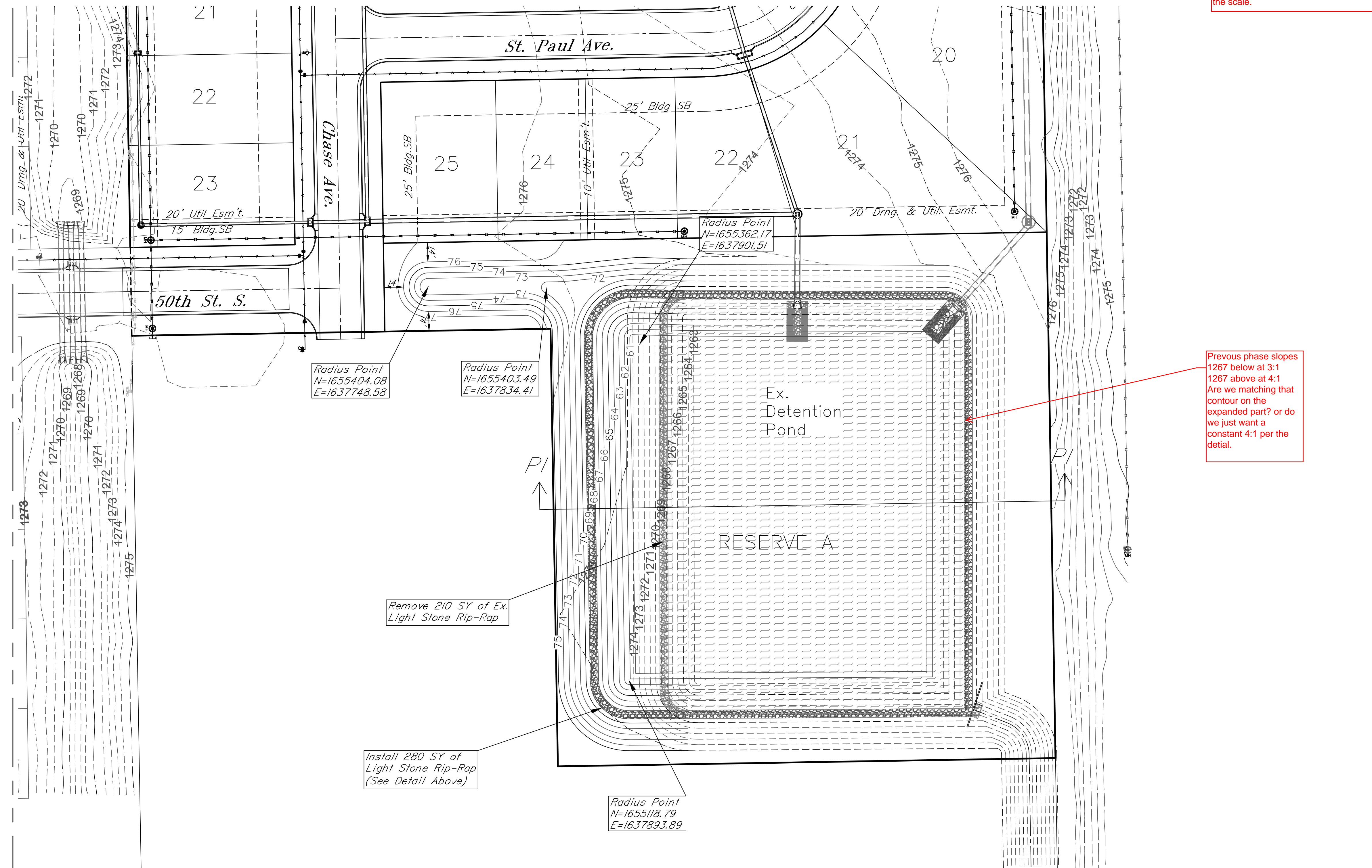


Does this detail have the same viewing plane line as the other detail?

Section PI-PI
Detention Pond



is there a scale for this detail? If so, what is the scale.



Radius Point
N=1655404.08
E=1637748.58

Radius Point
N=1655403.49
E=1637834.41

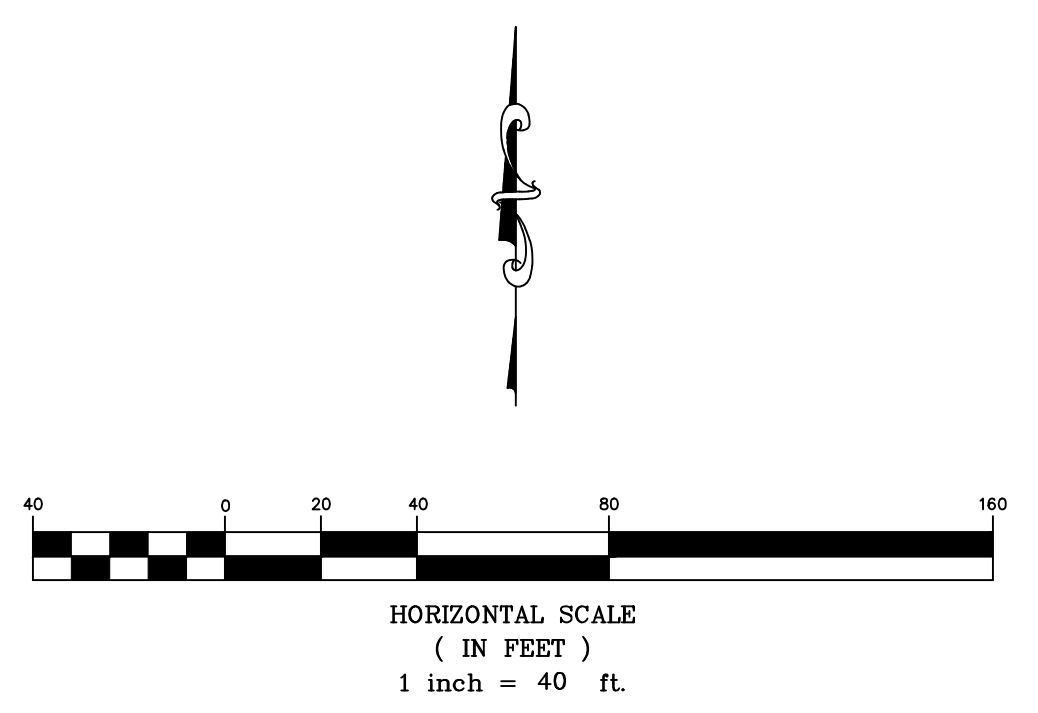
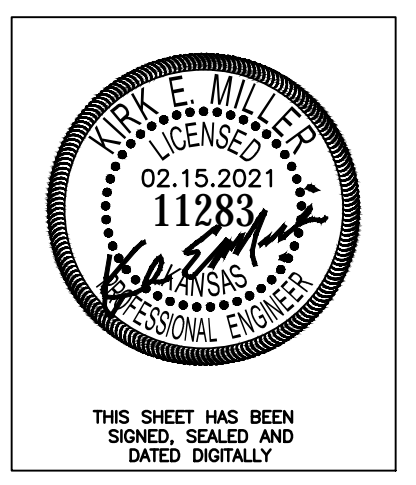
Radius Point
N=1655362.17
E=1637901.51

Radius Point
N=1655118.79
E=1637893.89

Remove 210 SY of Ex.
Light Stone Rip-Rap

Install 280 SY of
Light Stone Rip-Rap
(See Detail Above)

Previous phase slopes
1267 below at 3:1
1267 above at 4:1
Are we matching that
contour on the
expanded part? or do
we just want a
constant 4:1 per the
detail.



Fox Run Addition (Phase II)
Pond Plan
Wichita, Kansas

| | | | | |
|---------------------------------------------------|------------------|-----------------------|-----------------|---------------------|
| 117 E. Lewis, Wichita, KS 67202 (316)284-0242 | PROJECT NUMBER | | | SHEET 3.0 |
| | KEM NO. 20061 | FILE | DATE 10/2020 | |
| DESIGN ME | DRAWN ZS | REVISED 02/15/2021 | | |