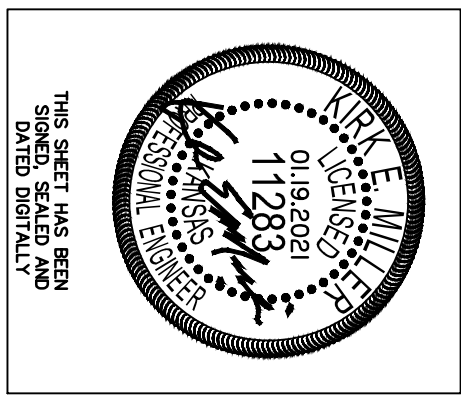
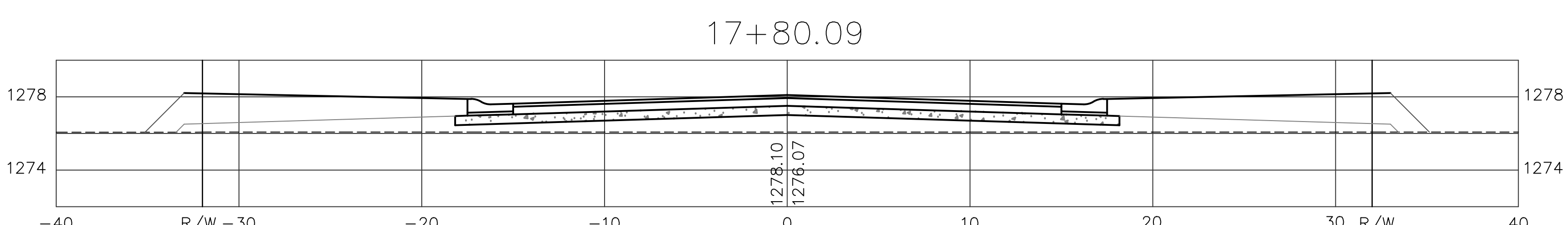
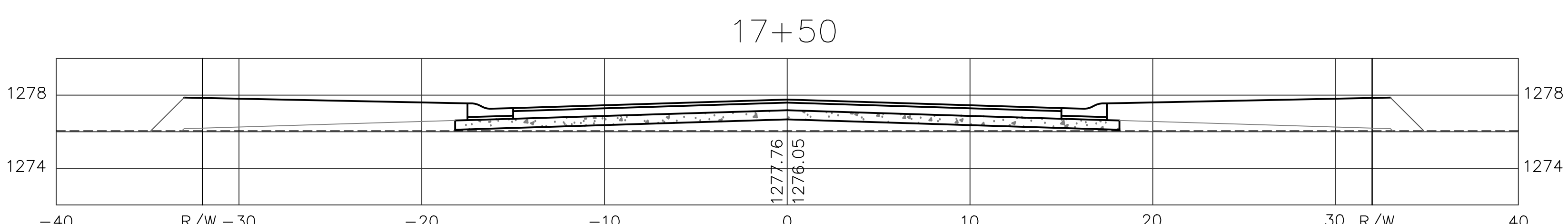
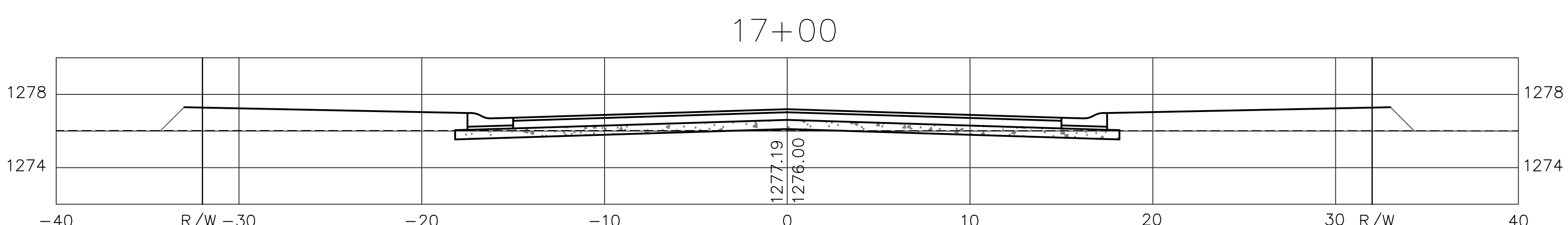
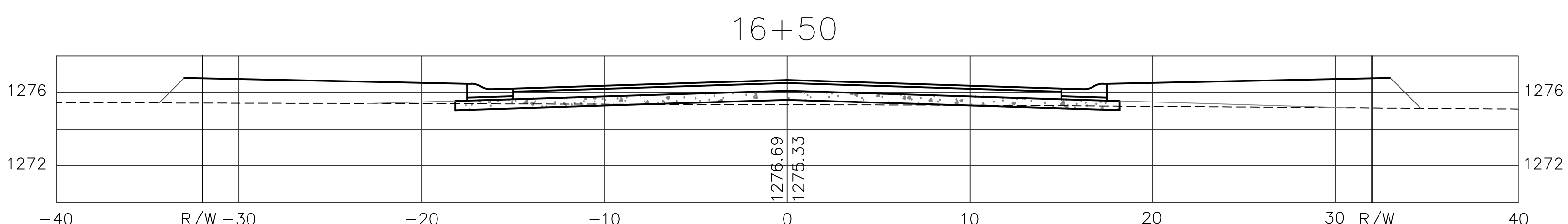
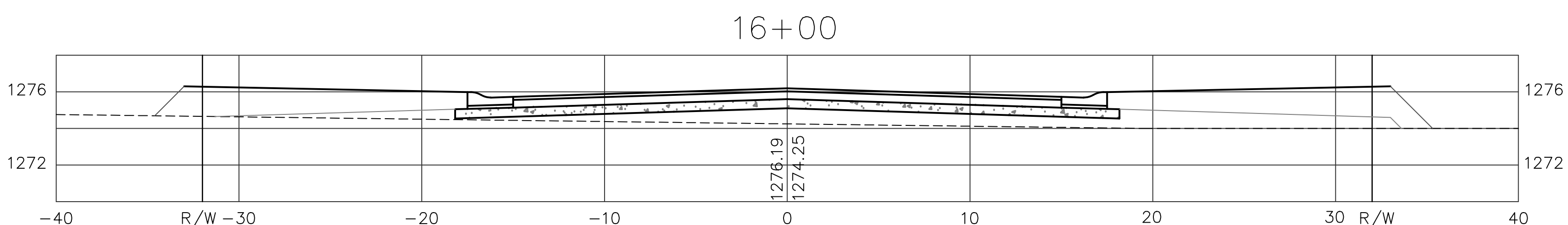
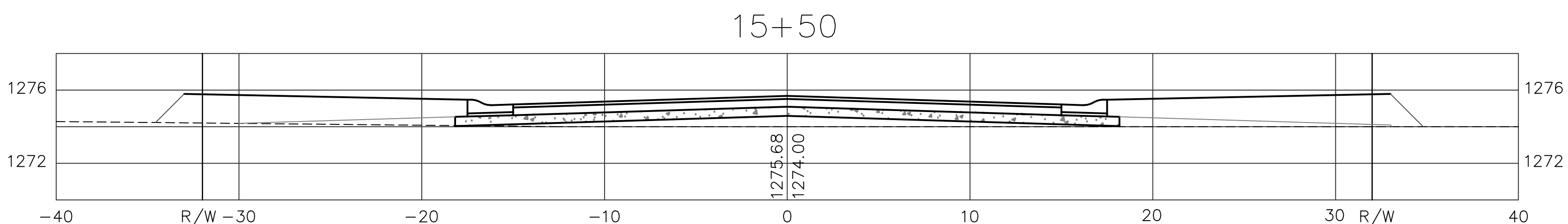
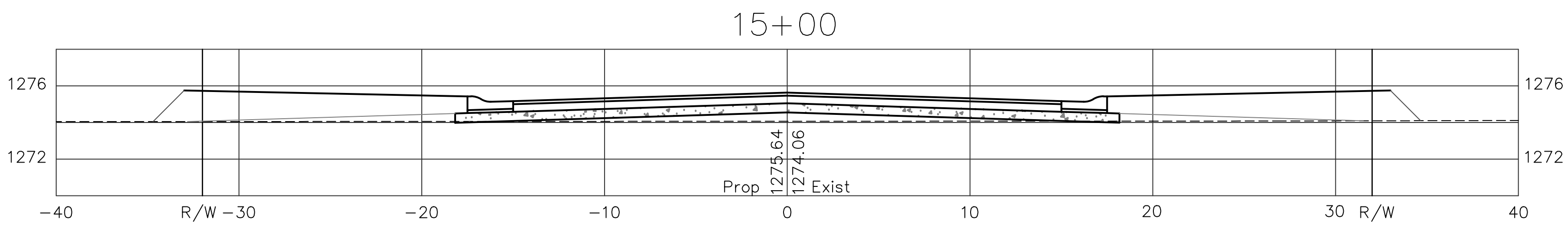


St. PAUL AVE



KEMILLER
ENGINEERING & PA

117 E. Lank, Wichita, KS 67202 (316)384-0242

**Fox Run Addition (Phase II)
Cross Sections - St. Paul Ave.**
Wichita, Kansas

PROJECT NUMBER	FILE	DATE	SHEET
	DESIGN	10/2020	6.1
	DRAWN		
	REVISION		