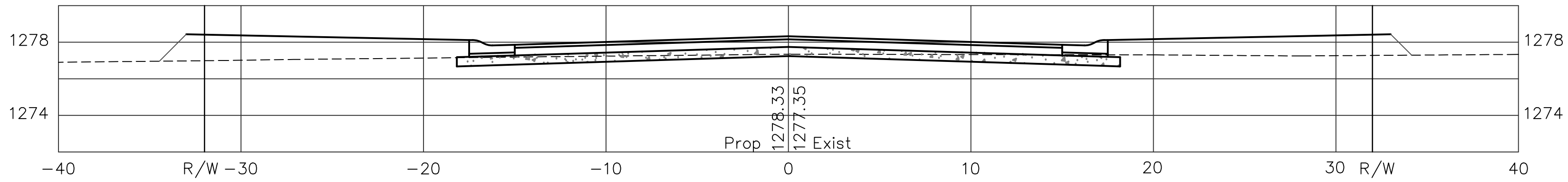
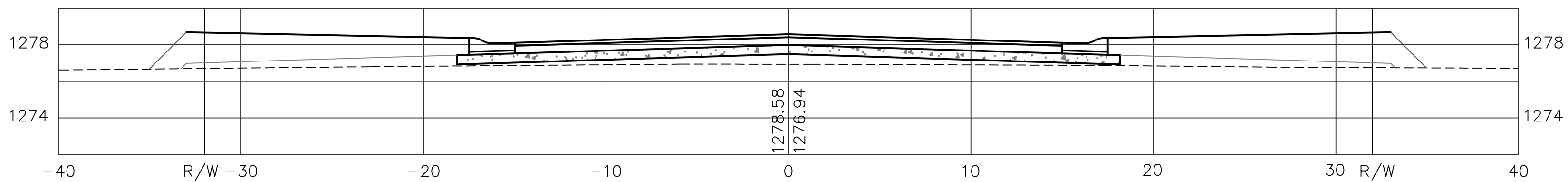


CHASE AVE

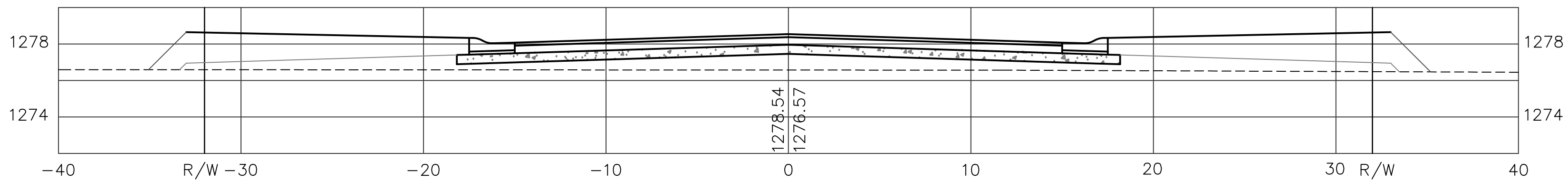
07+00



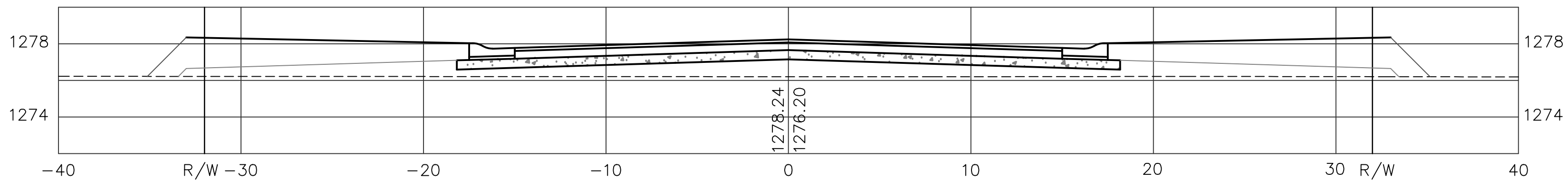
07+50



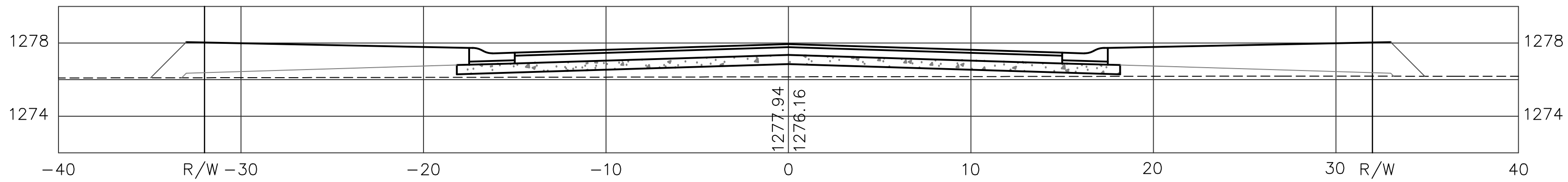
08+00



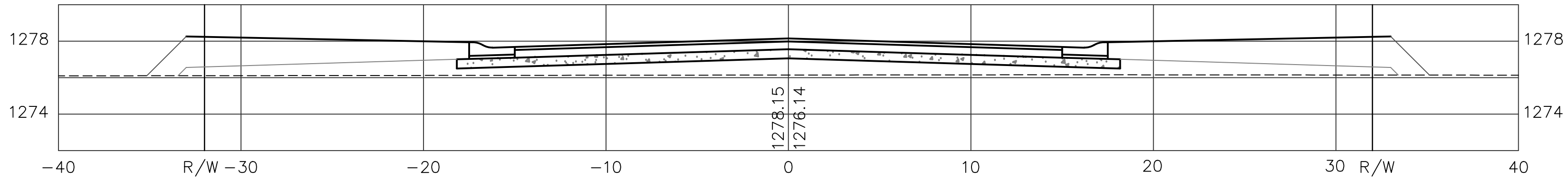
08+50



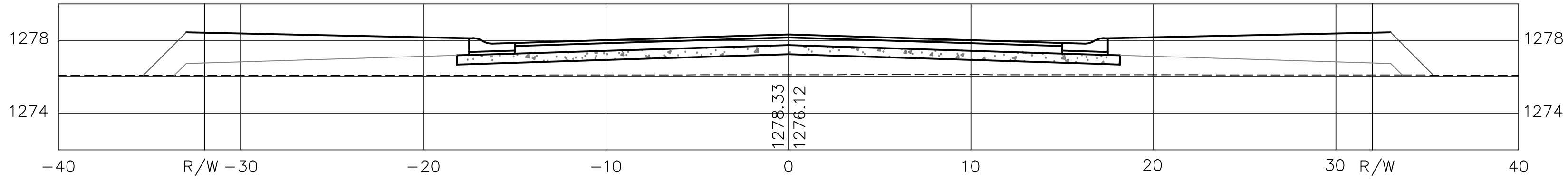
09+00



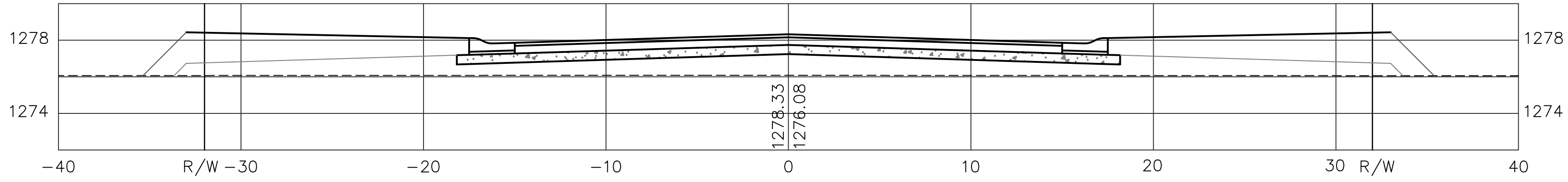
09+50



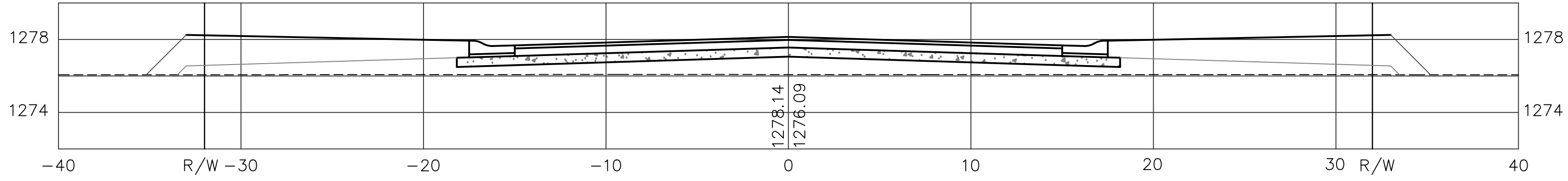
09+87.56



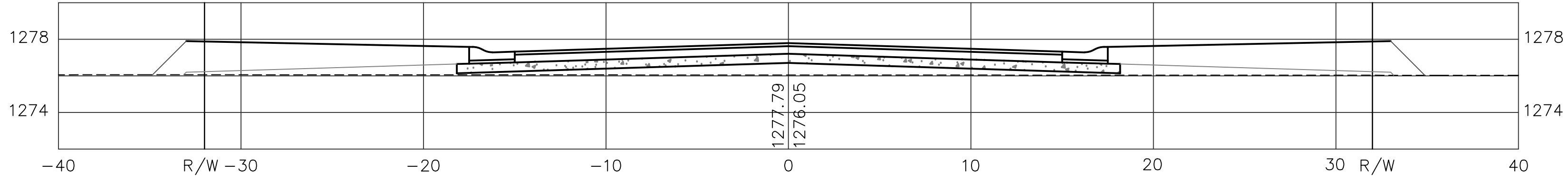
10+61.52



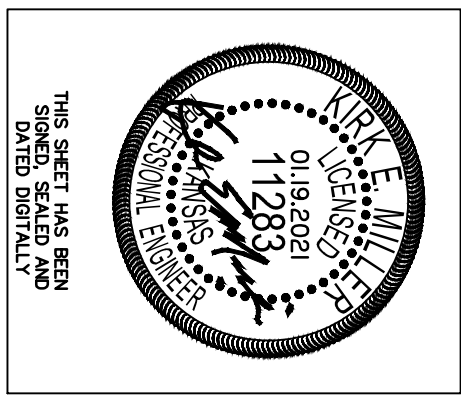
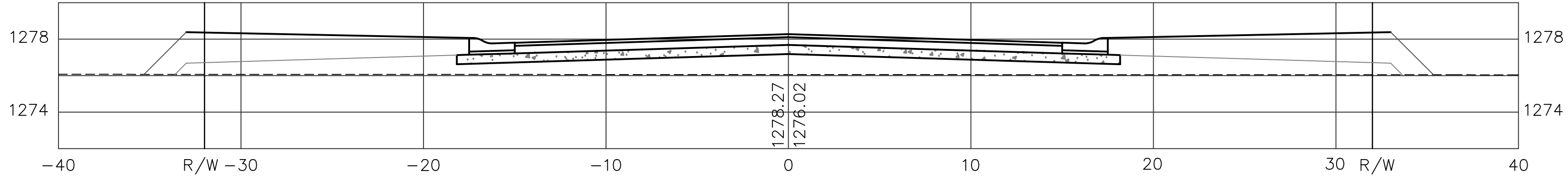
11+00



11+50



12+42.22



KEMILLER
ENGINEERING, P.A.
117 E. Lank, Wichita, KS 67202 (316)384-0242

**Fox Run Addition (Phase II)
Cross Sections - Chase Ave.**
Wichita, Kansas

PROJECT NUMBER	DATE	SHEET
	10/20/20	6.2

REVISION: 2/09/21
 DESIGN: ME
 FILE: ZS
 DRAWN: ZS
 REVERSED: ZS