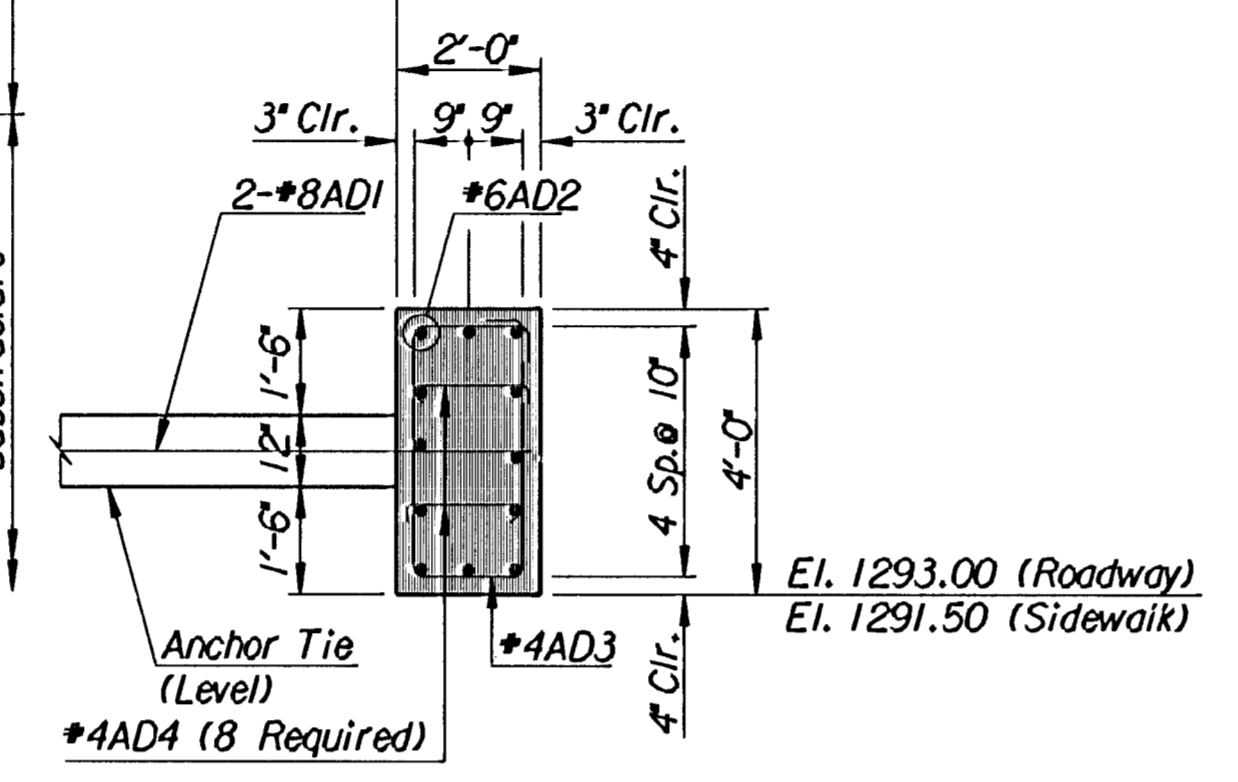
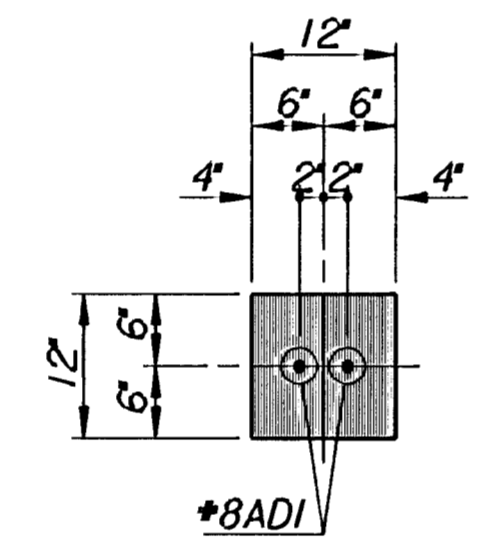


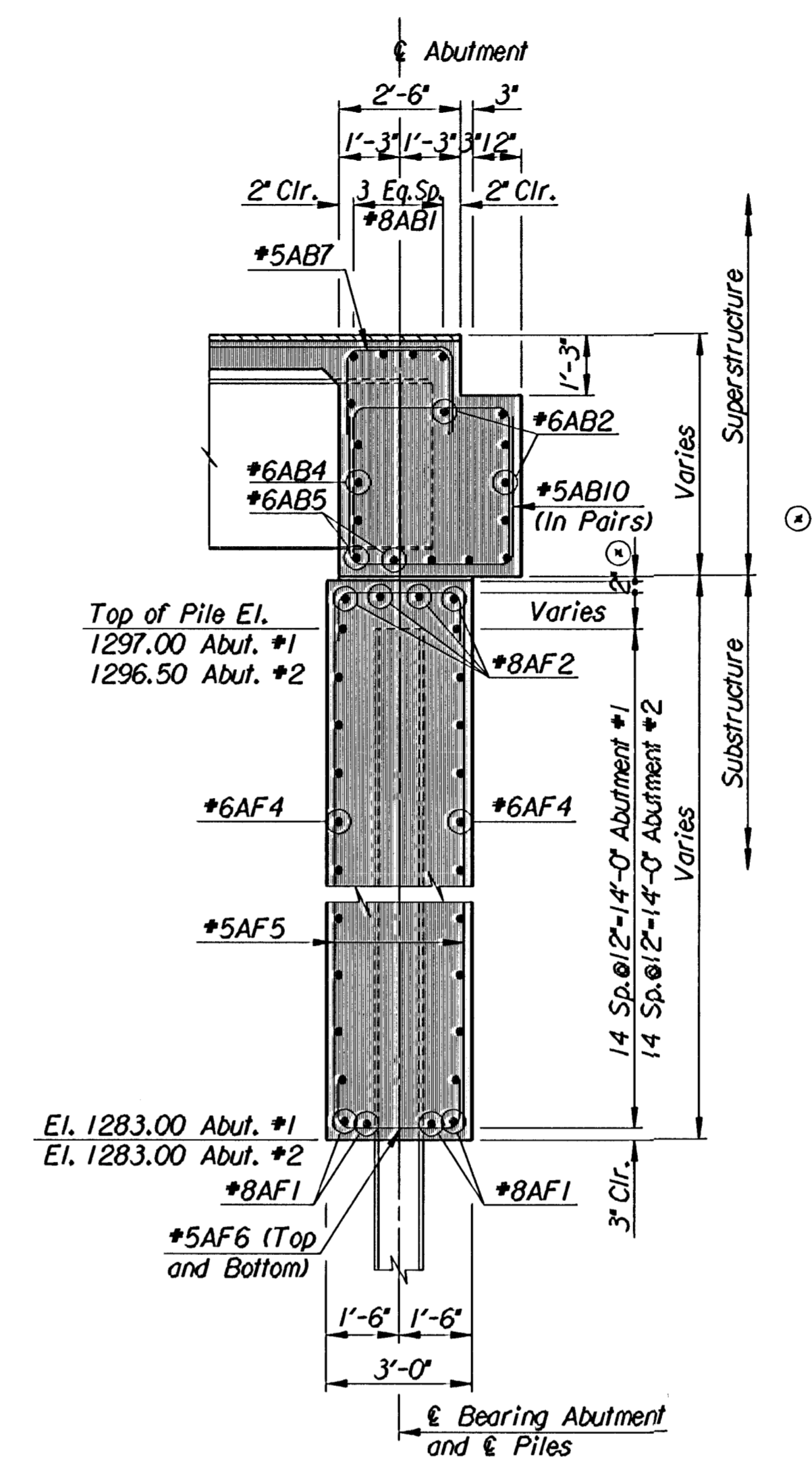
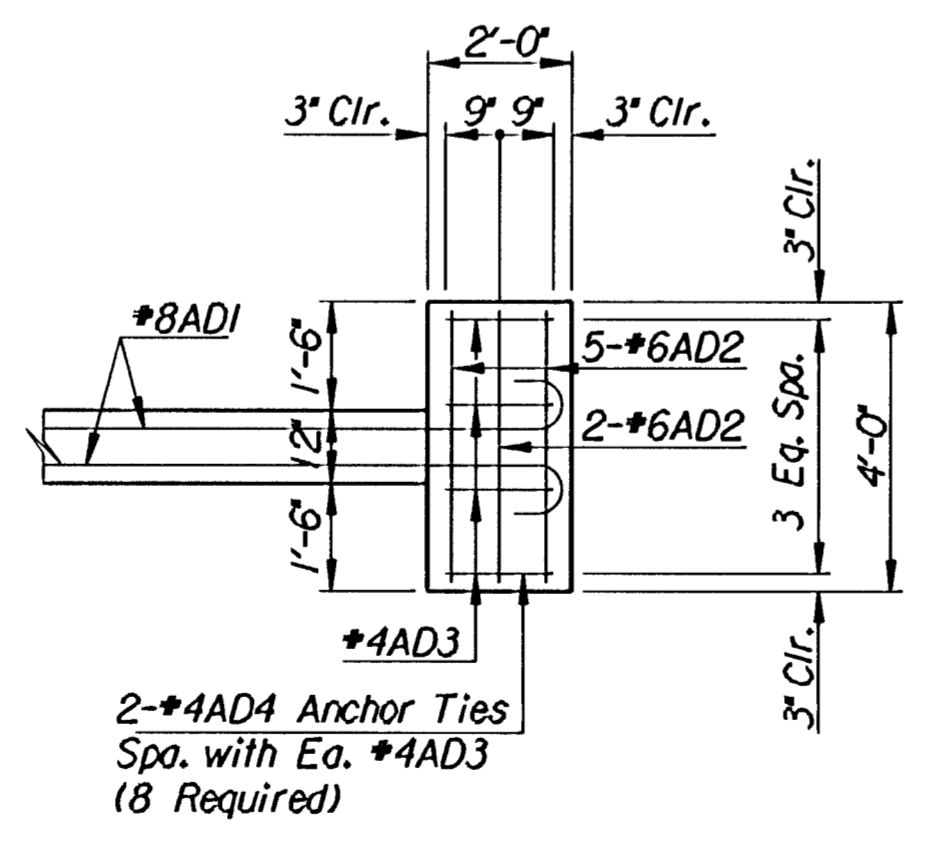
SECTION A-A
(At Girder Supports)



ANCHOR TIE SECTION



ANCHOR TIE PLAN



SECTION B-B
(Between Girder Supports)

No.	Revisions	By	Date
CITY OF WICHITA, KANSAS MICHAEL E. LINDEBAK, P.E.-CITY ENGINEER DOUGLAS AVENUE BRIDGE OVER ARKANSAS RIVER ABUTMENT SECTIONS - ROADWAY CITY OF WICHITA PROJECT NO. 472-82721 PROFESSIONAL ENGINEERING CONSULTANTS, P.A. ENGINEERS WICHITA, KANSAS			
Designed by	R.W.A.	Checked by	R.A.S.
Drawn by	W.L.L.	Date	Sept. 1997 Job No. 95088-4

12/1995/95088/douglas/abutsec.dgn
 Drawn by: wll/mef
 Plotted by: RAS 8-26-97