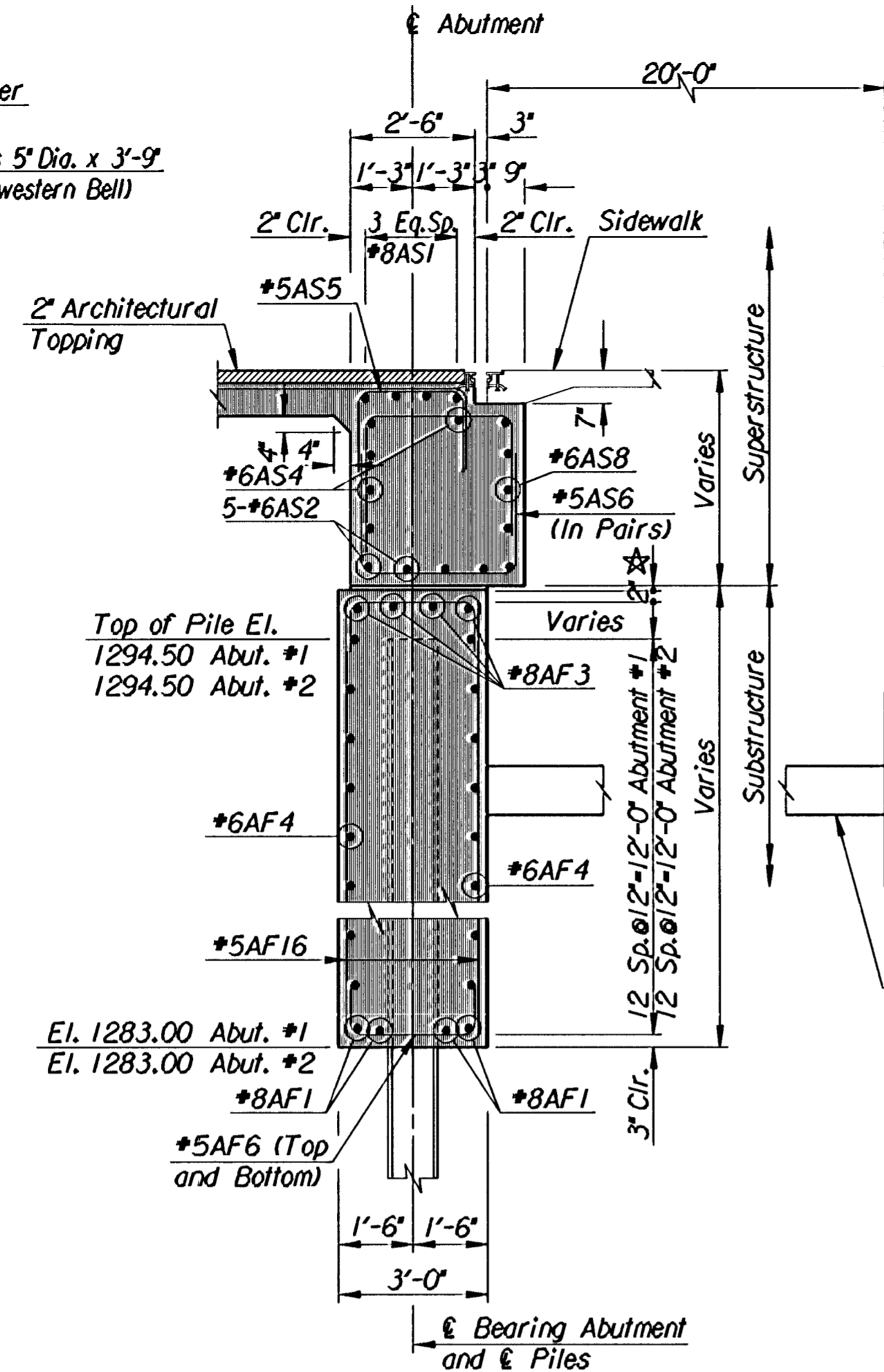


SECTION C-C
(At Girder Supports)

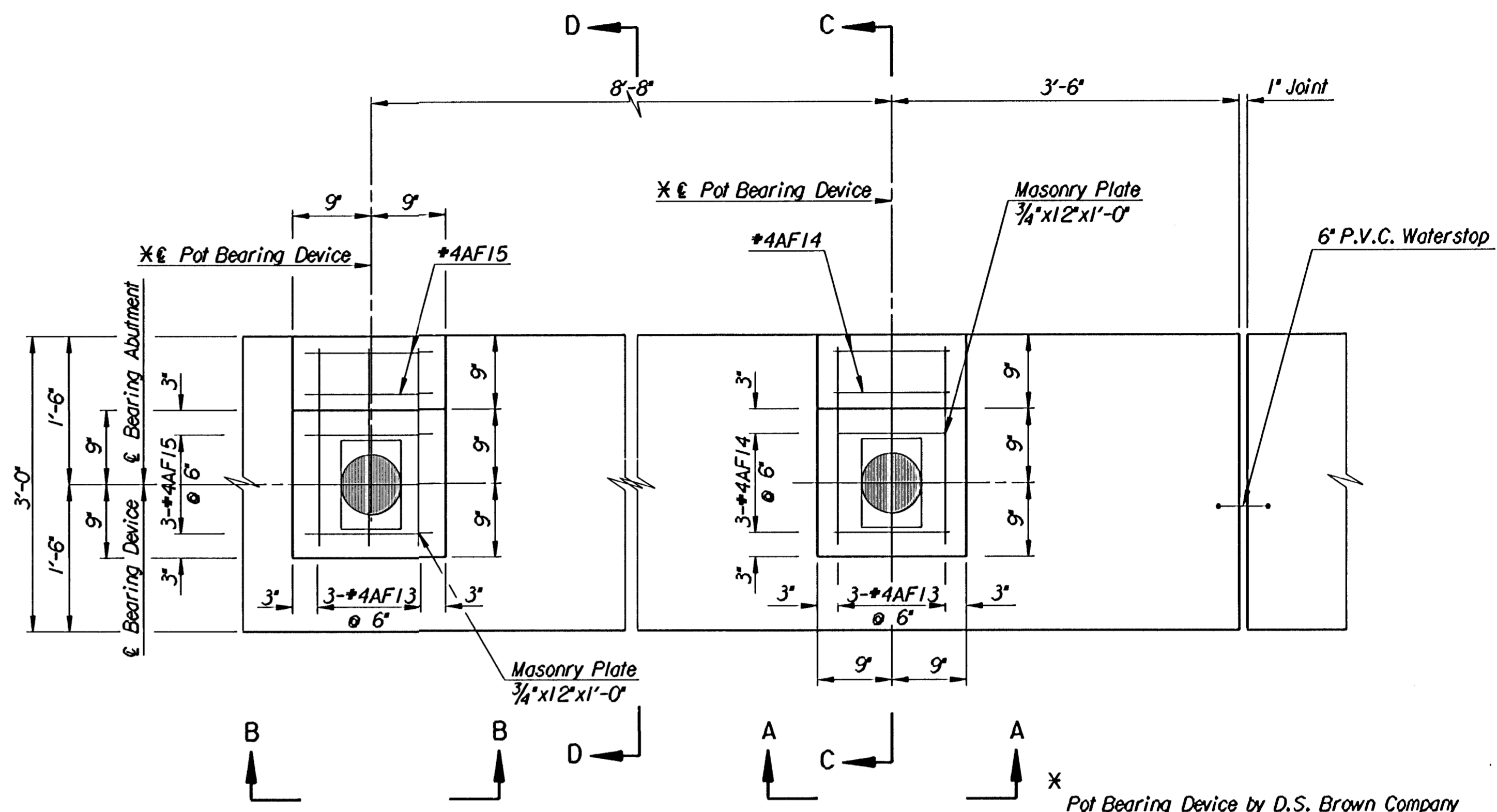


SECTION D-D
(Between Girder Supports)

★ 1" Expansion Joint Filler Type B

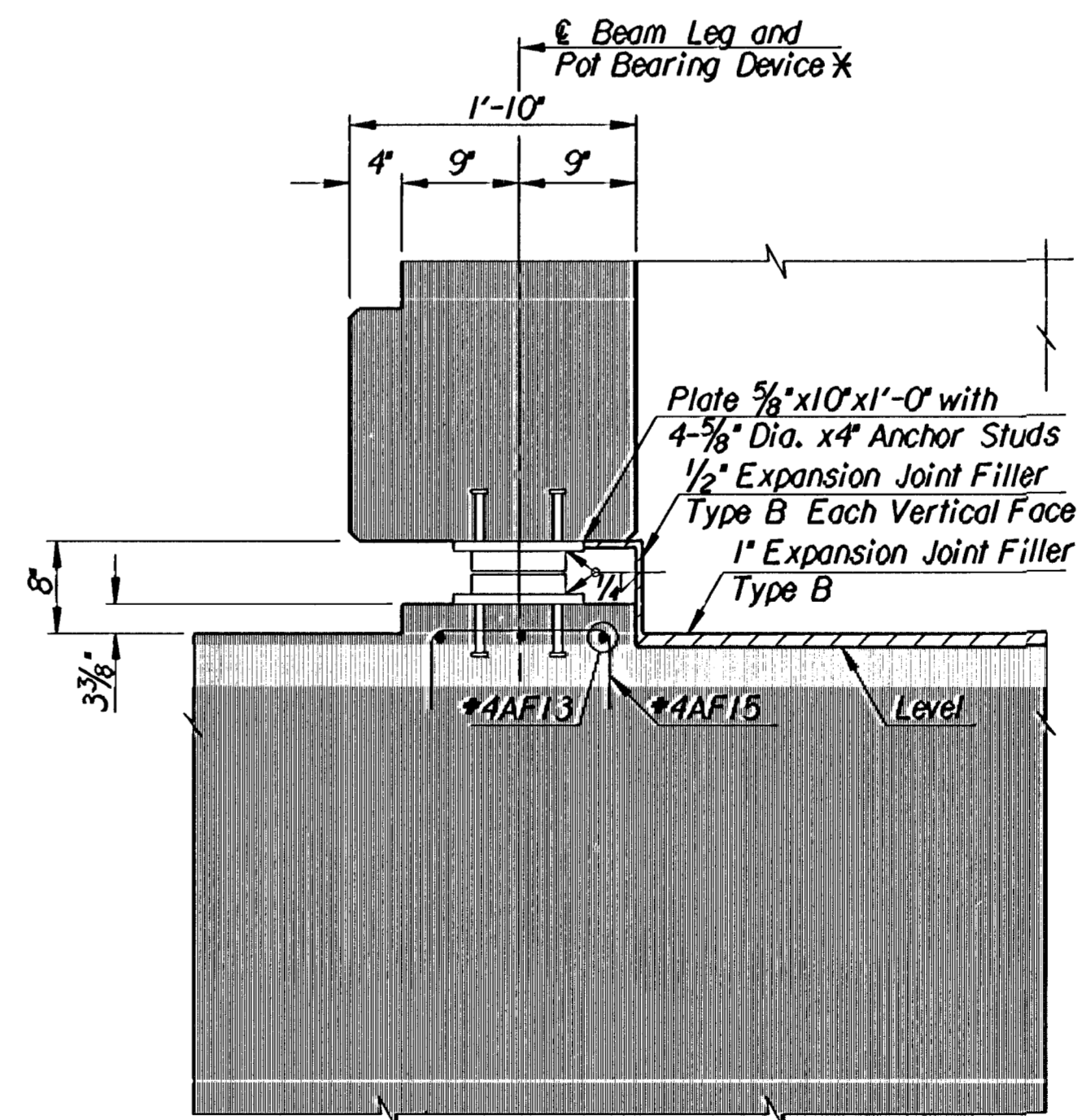
Anchor Tie (Level)
See Abutment Sections Sheet No. C33 for Details

El. 1291.50

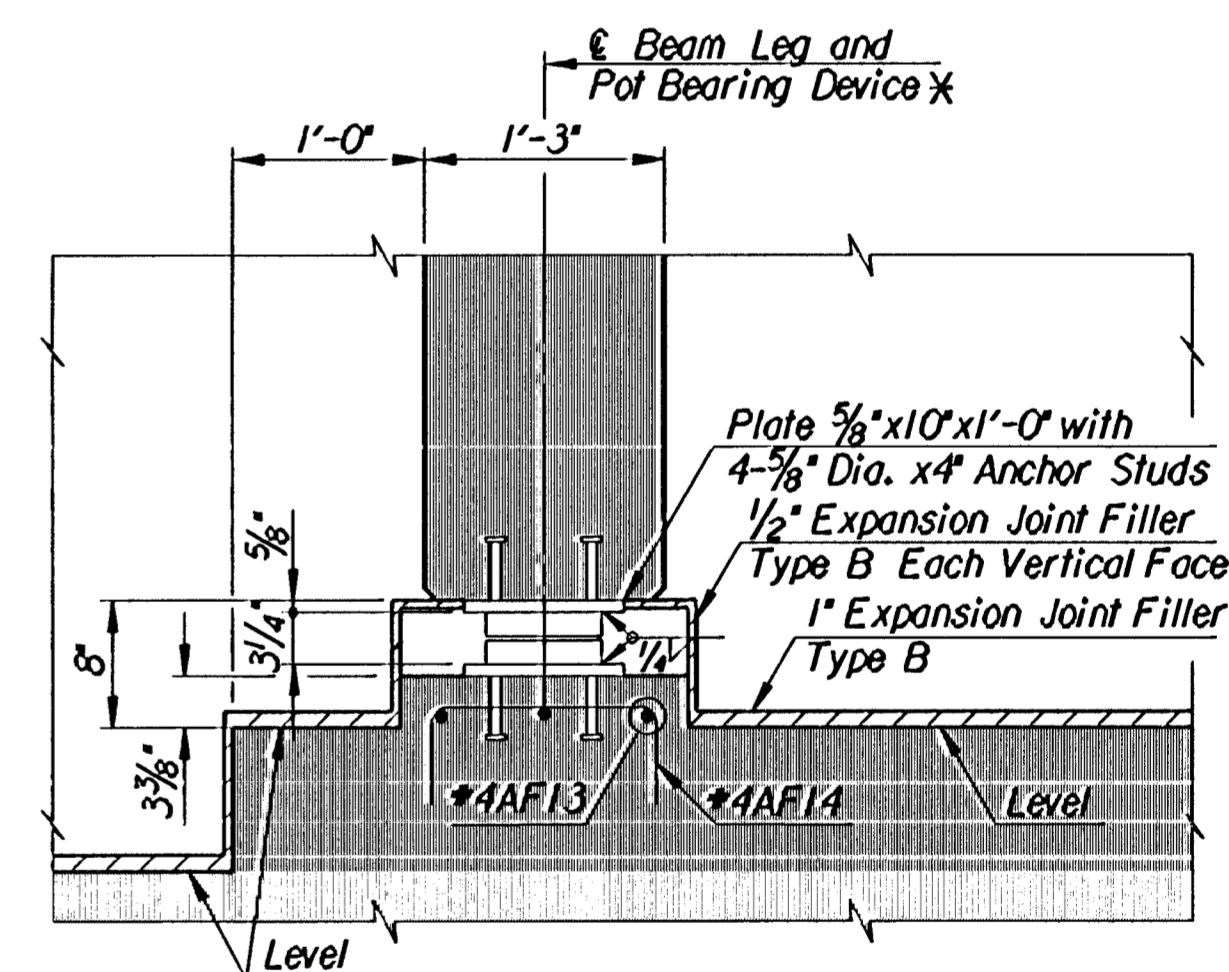


PLAN AT SIDEWALK BEARINGS
(Abutment #2 Lt. Shown)

Pot Bearing Device by D.S. Brown Company
PMCG 100 Series or Equal.
See Sh. No. C34 for Bearing Device Notes and Table.



VIEW B-B



VIEW A-A

1:1995/95088/douglas/abutwalk.dgn
 Drawn by: will
 Plotted by: will 11-3-97

No.	Revisions	By	Date

CITY OF WICHITA, KANSAS
 MICHAEL E. LINDEBAK, P.E.-CITY ENGINEER
 DOUGLAS AVENUE BRIDGE
 OVER ARKANSAS RIVER
AUX. ABUTMENT DETAILS-SIDEWALK
 CITY OF WICHITA PROJECT NO. 472-82721
PROFESSIONAL ENGINEERING CONSULTANTS, P.A.
 ENGINEERS
 WICHITA, KANSAS

Designed by	R.W.A.	Checked by	R.A.S.
Drawn by	W.L.L.	Date	Sept. 1997 Job No. 95088-4