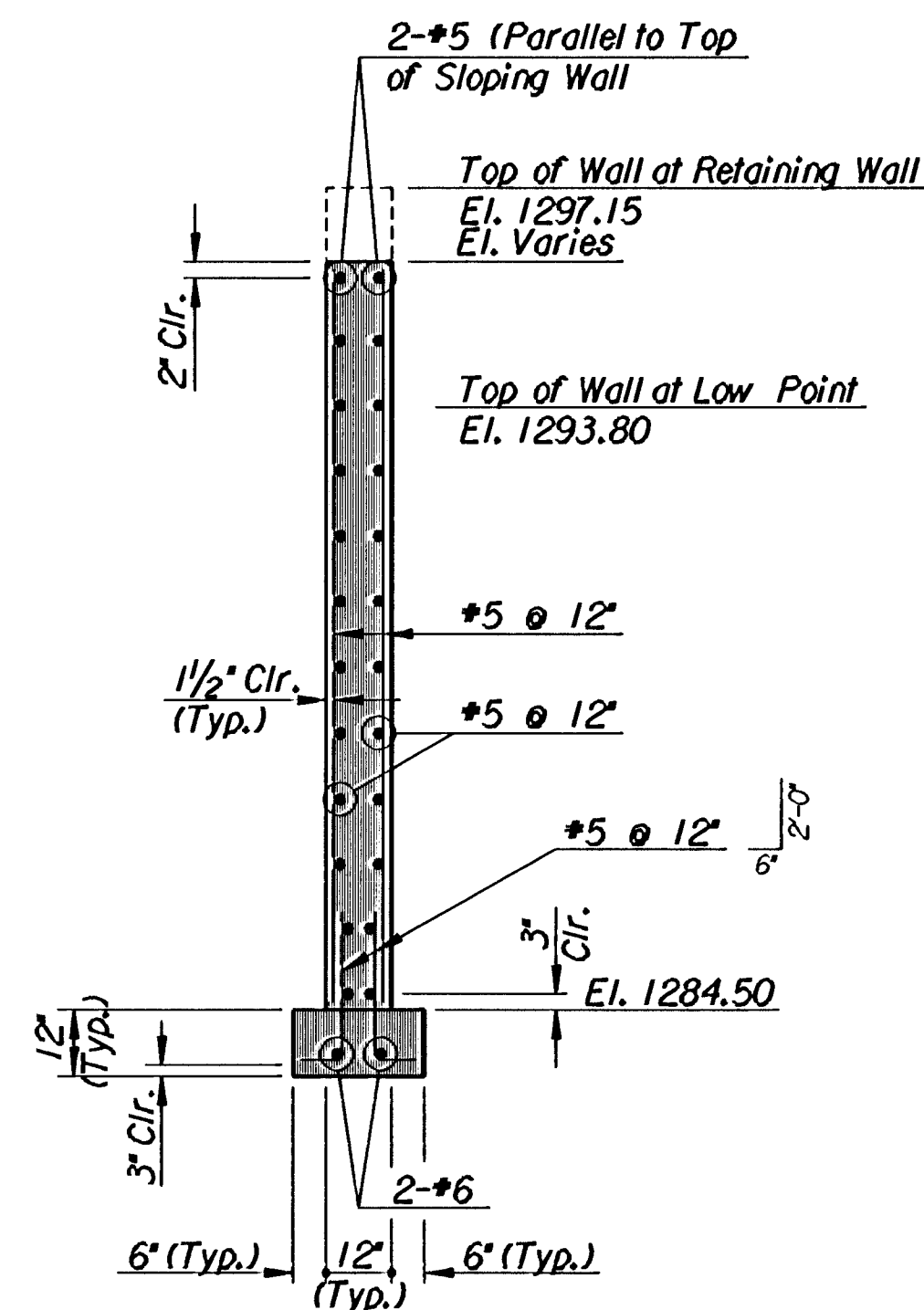


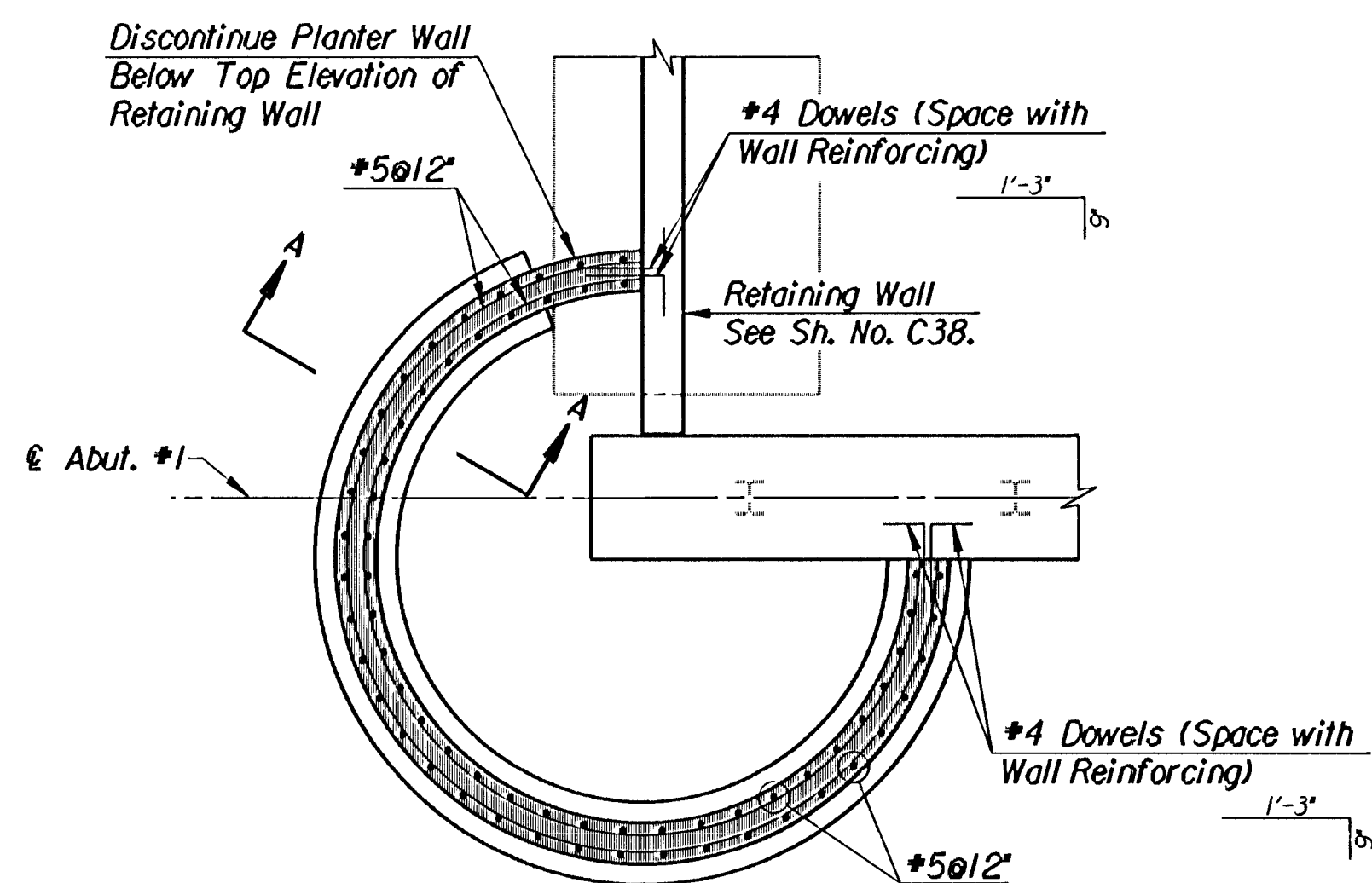
ELEVATION



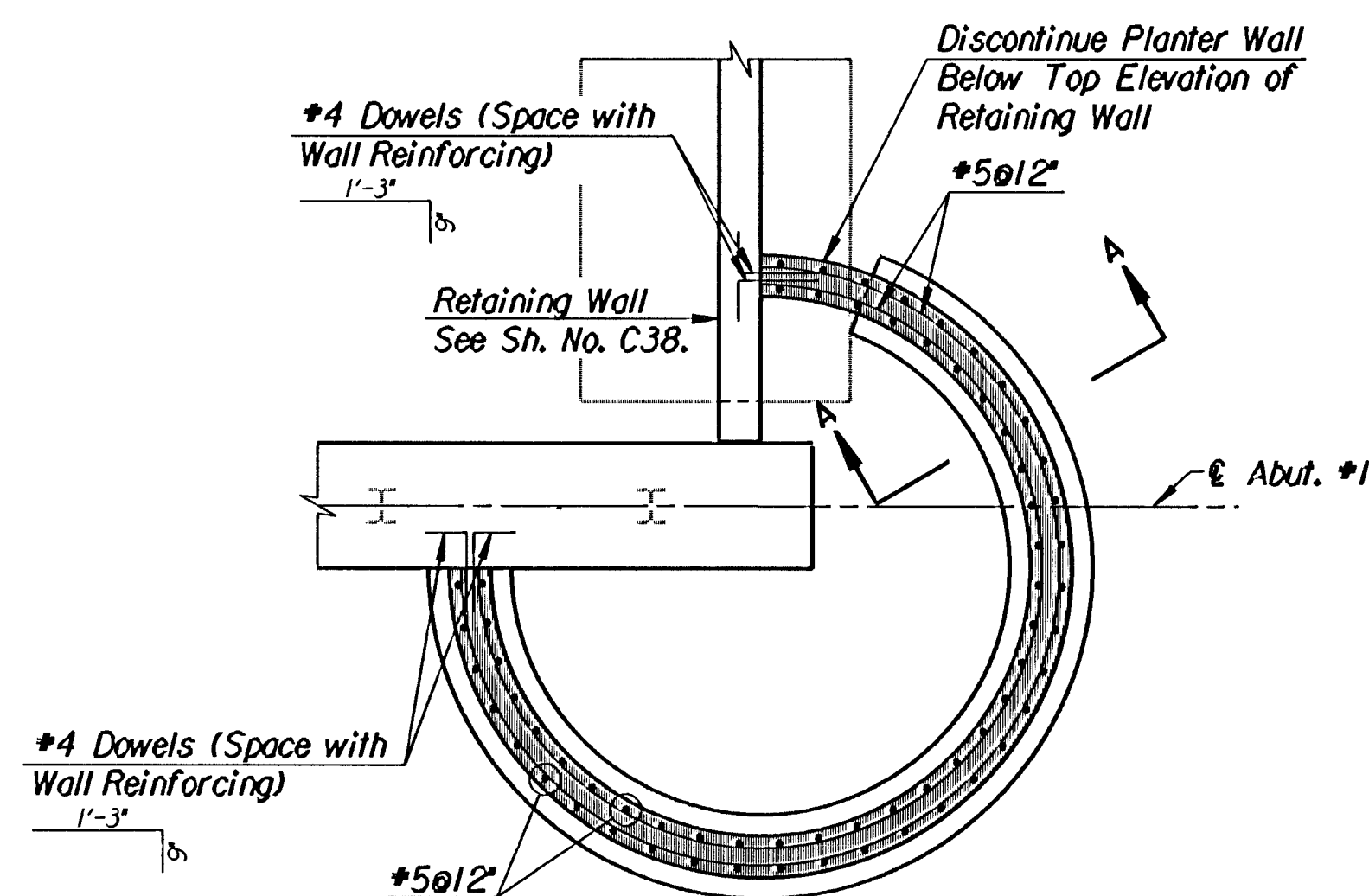
SECTION A-A

* BILL OF MATERIALS - CONCRETE		
Item	Quantity	Unit
Northwest Circular Planter Wall	15.7	C.Y.
Southwest Circular Planter Wall	15.7	C.Y.

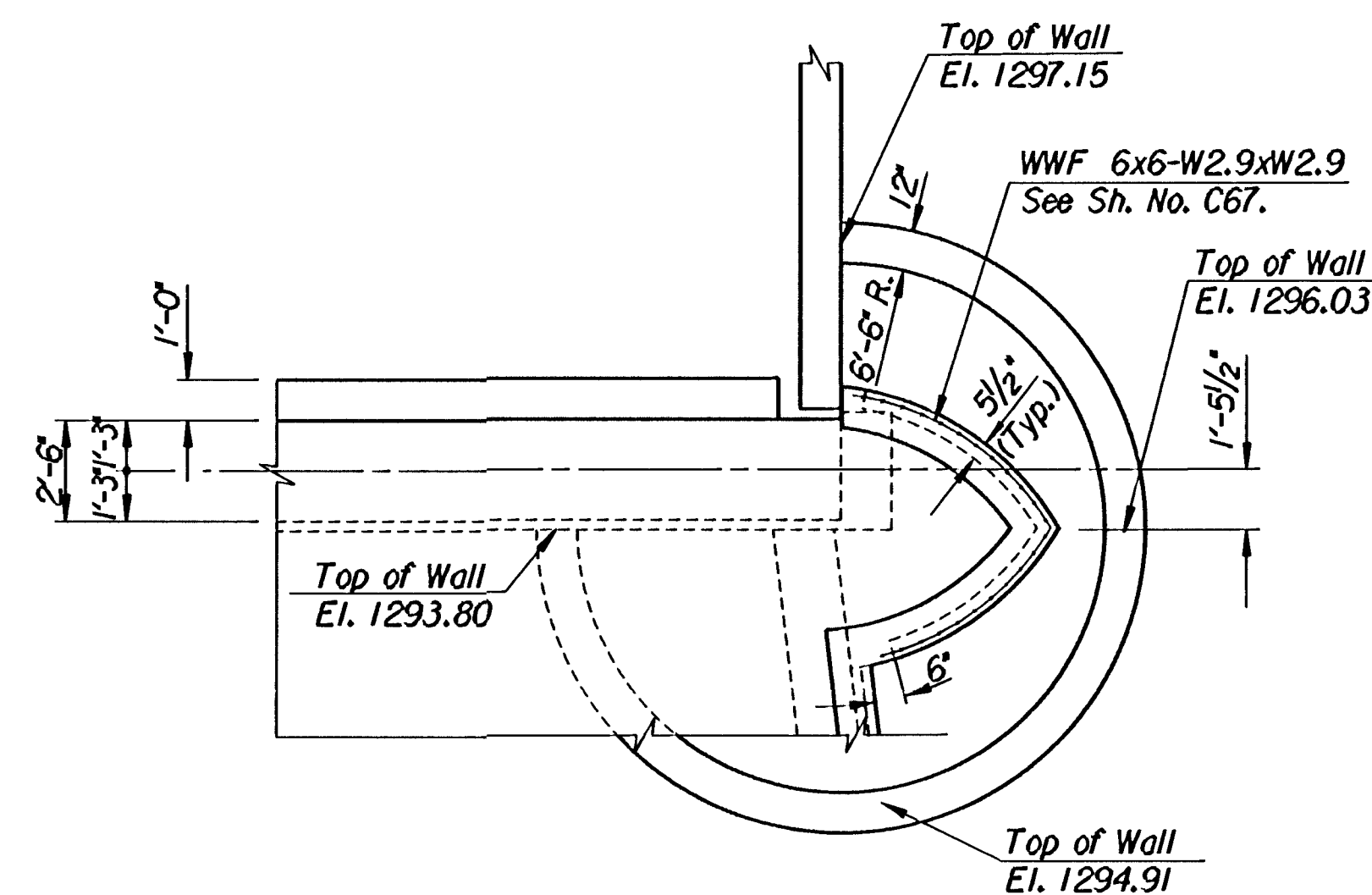
\* For Information Only



SOUTHWEST FOUNDATION PLAN



NORTHWEST FOUNDATION PLAN



PLAN  
(Northwest Plan shown, Southwest similar)

Note:  
See Sheet No. C37 for Circular Walls at Abutment No. 2.

No.	Revisions	By	Date

CITY OF WICHITA, KANSAS  
MICHAEL E. LINDEBAK, P.E.-CITY ENGINEER  
DOUGLAS AVENUE BRIDGE  
OVER ARKANSAS RIVER  
CIRCULAR PLANTER WALL DETAILS  
AT ABUTMENT #1  
CITY OF WICHITA PROJECT NO. 472-82721

PROFESSIONAL ENGINEERING CONSULTANTS, P.A.  
ENGINEERS  
WICHITA, KANSAS

Designed by	R.W.A.	Checked by	R.A.S.
Drawn by	W.L.L.	Date	Sept. 1997

Job No. 95088-4