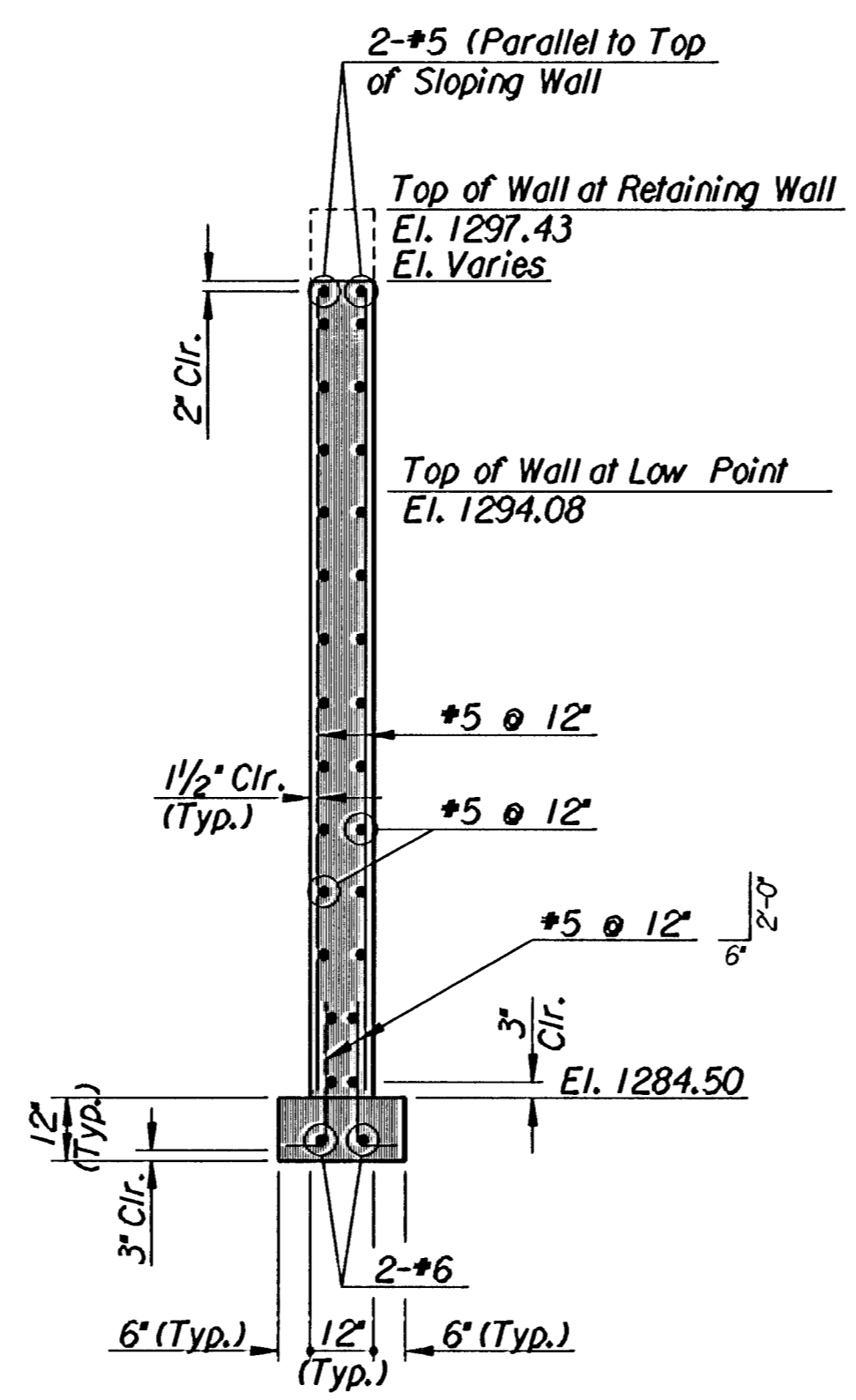


ELEVATION

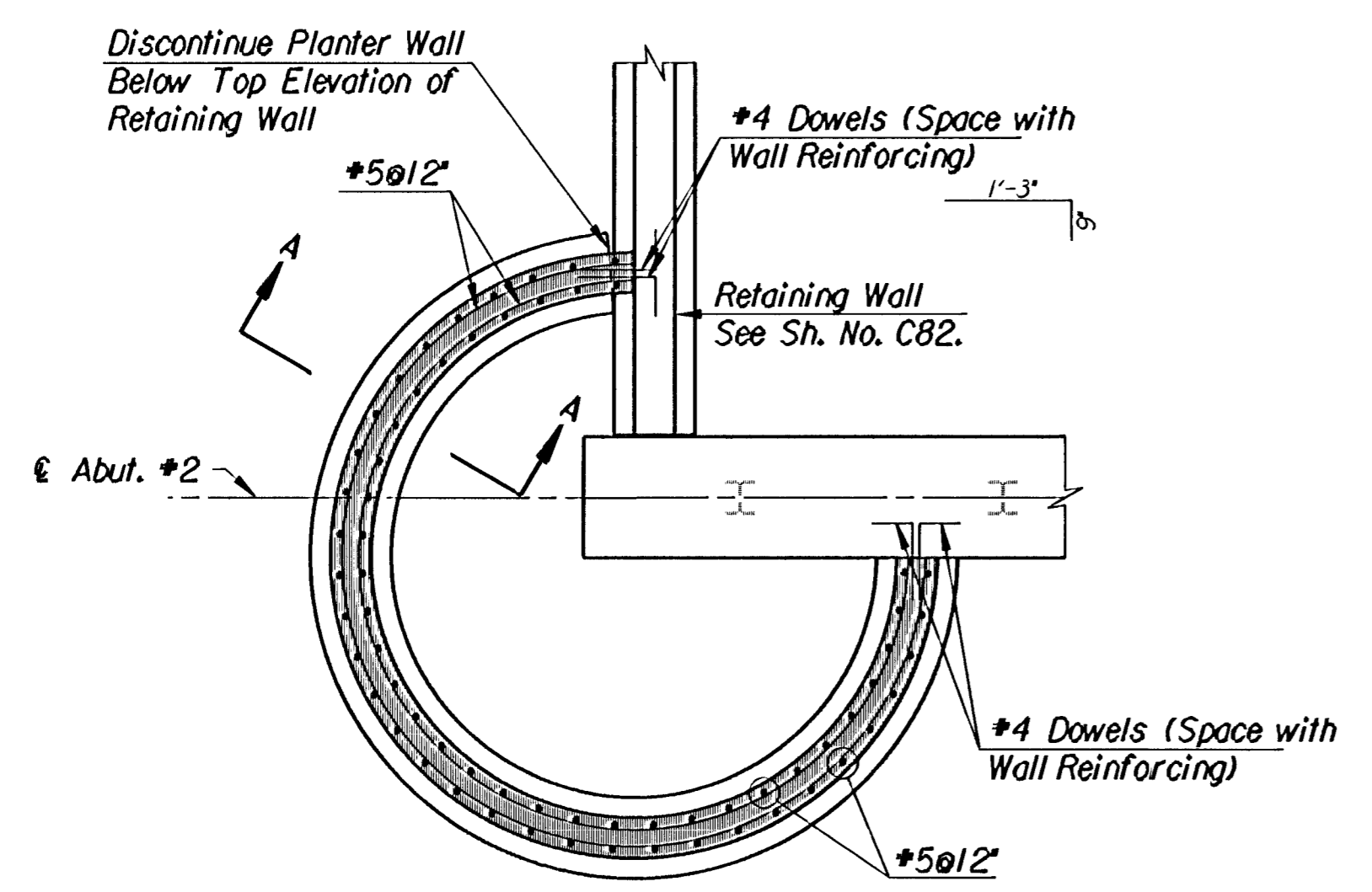


SECTION A-A

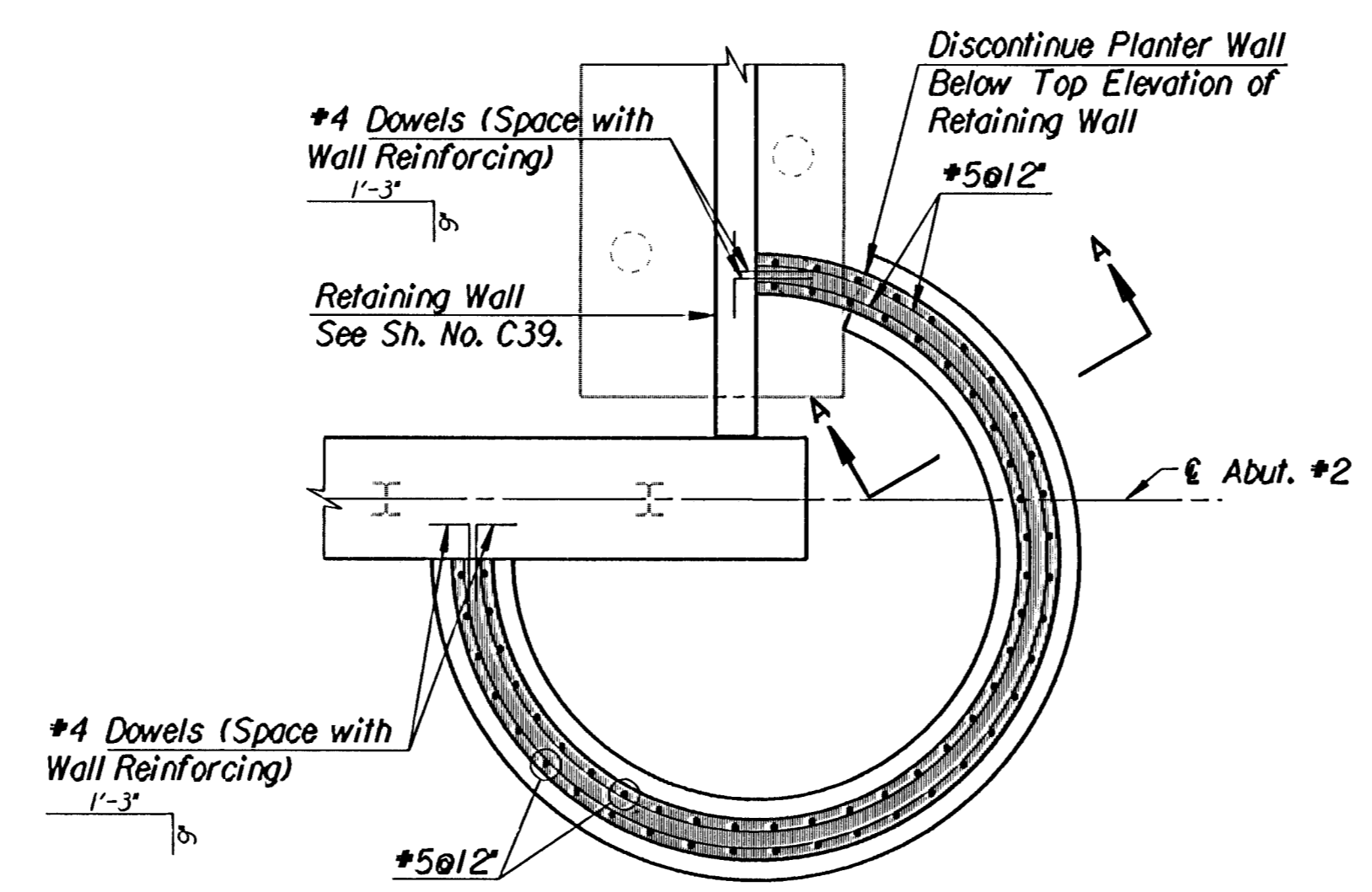
*** BILL OF MATERIALS - CONCRETE**

Item	Quantity	Unit
Northeast Circular Planter Wall	16.2	C.Y.
Southeast Circular Planter Wall	16.0	C.Y.

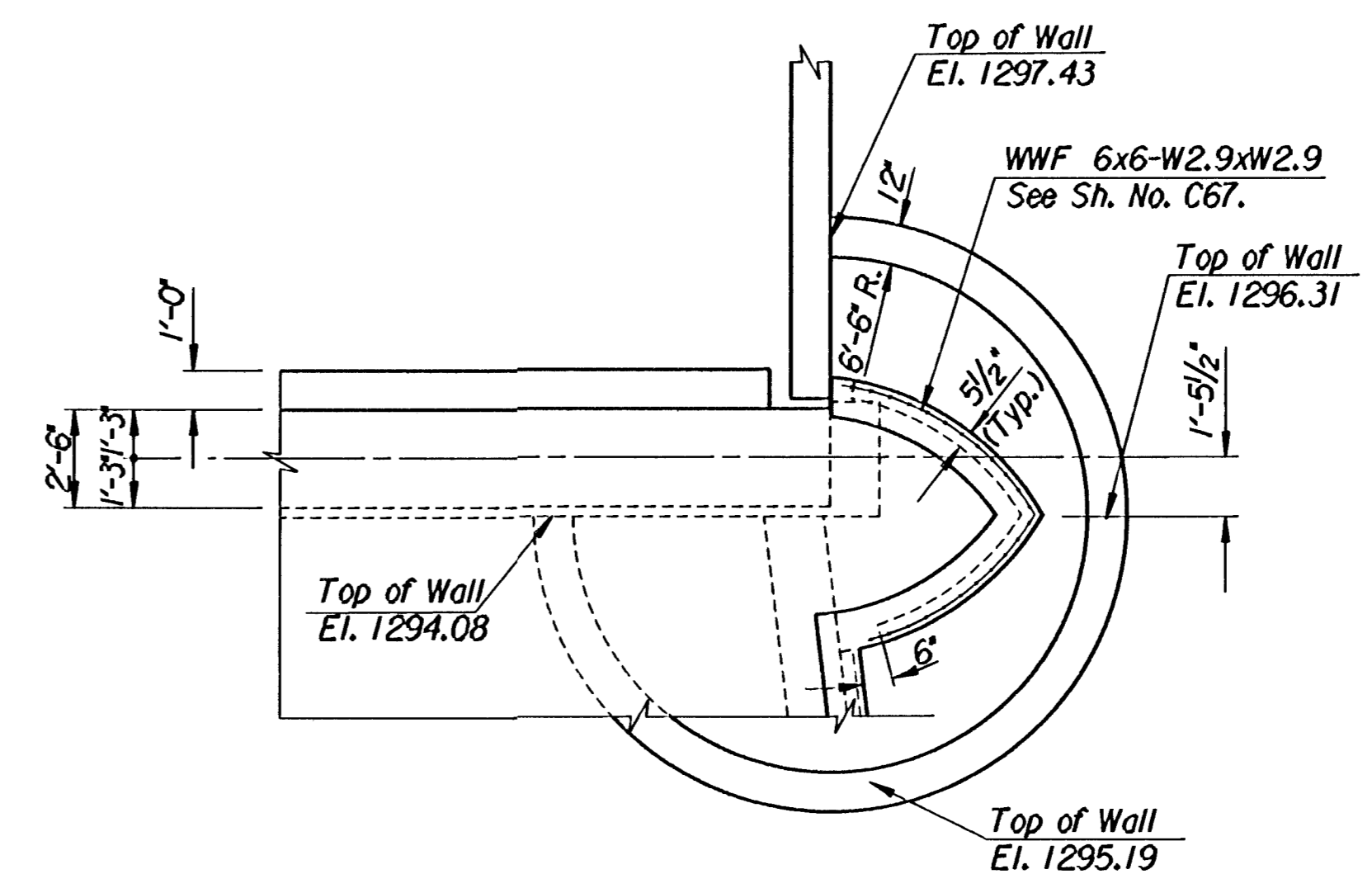
* For Information Only



NORtheast FOUNDATION PLAN



SOUTHEast FOUNDATION PLAN



PLAN
(Southeast Plan shown, Northeast similar)

Note:
See Sheet No. C36 for Circular Walls at Abutment No. 1.

12/1995/95088/douglas/abutwall.dgn
 Drawn by: wil
 Plotted by: wil 11-10-97

No.	Revisions	By	Date
CITY OF WICHITA, KANSAS MICHAEL E. LINDEBAK, P.E. - CITY ENGINEER DOUGLAS AVENUE BRIDGE OVER ARKANSAS RIVER CIRCULAR PLANTER WALL DETAILS AT ABUTMENT #2 CITY OF WICHITA PROJECT NO. 472-82721			
PROFESSIONAL ENGINEERING CONSULTANTS, P.A. ENGINEERS WICHITA, KANSAS			
Designed by	R.W.A.	Checked by	R.A.S.
Drawn by	W.L.L.	Date	Sept. 1997 Job No. 95088-4