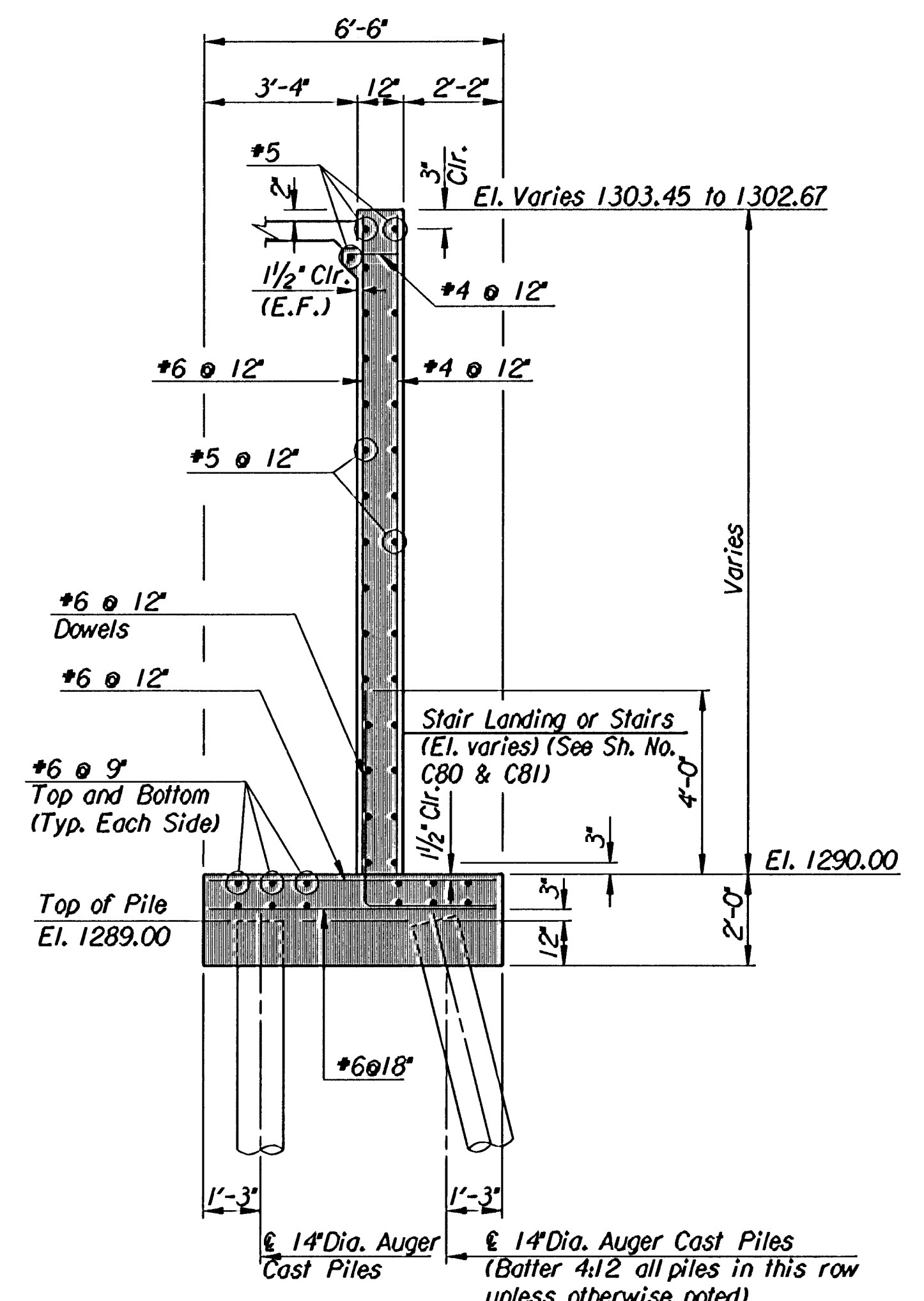
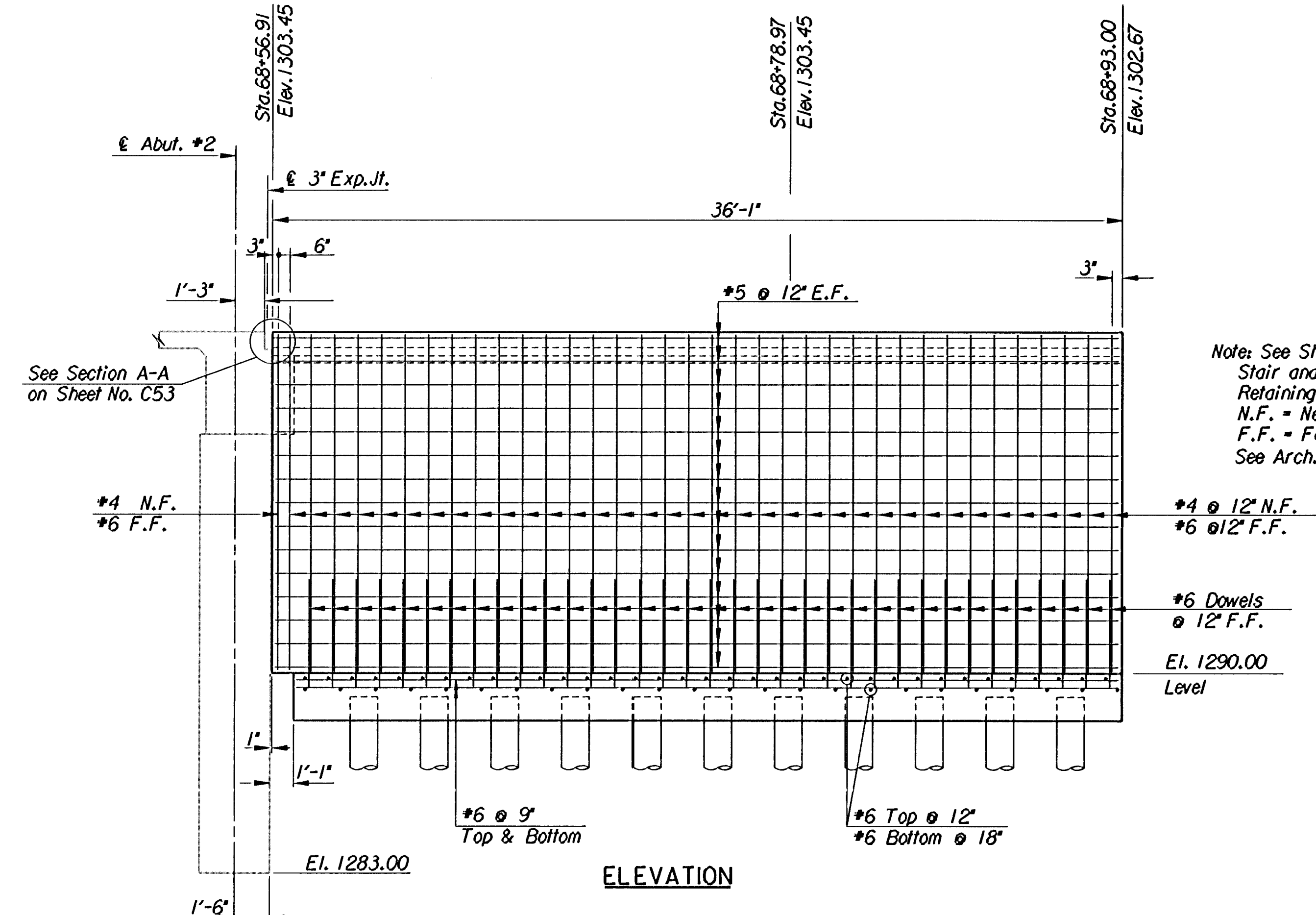


PLAN

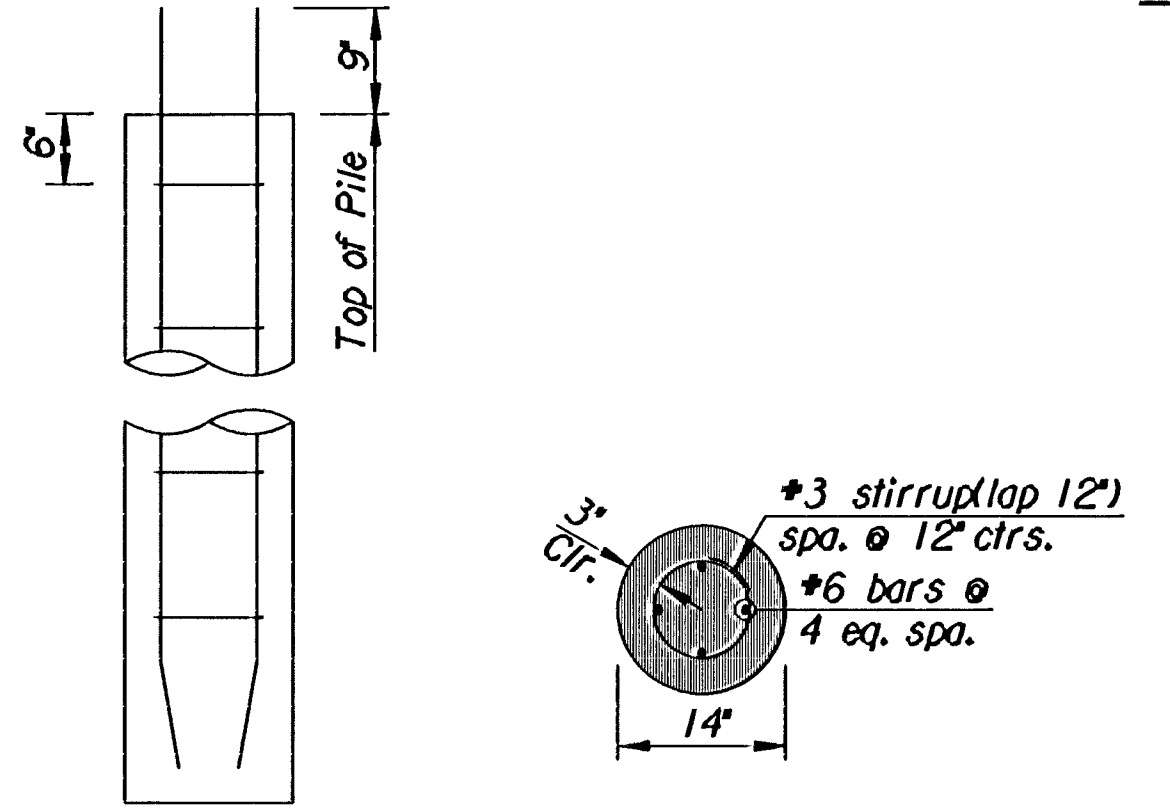


SECTION A-A



ELEVATION

Note: See Sh. No. C81 for Stair and Wall Details next to Retaining Walls.
 N.F. = Near Face
 F.F. = Far Face
 See Arch. Sheet A16 Detail 4 for Concrete Reveal.



AUGER CAST PILE SECTION AND ELEVATION

* BILL OF MATERIALS - CONCRETE		
Item	Quantity	Unit
Southwest Retaining Wall	34.9	C.Y.

* For Information Only

NOTE: Reinforcing for Northeast and Southeast walls is not itemized in a bill of materials. See Sheet No. C27 for "General Notes". See Sheet No. C37 for associated circular wall details at Abutment No. 2 only.

- The Design Capacity of each 14" Dia. Auger Cast Pile is 10 ton. Length of piles shown is based on side friction in accordance with the subsurface investigation. Installation of piles shall be verified by a licensed soils engineer.
- The bottom elevation of auger cast piles shall be 1273.00.
- It is anticipated that borings will encounter groundwater. Maintain 2'-0" of grout above the bottom of the auger at all times during casting.
- Immediately upon auger removal and while grout is still plastic, lower reinforcing into the pile. Do not push or force reinforcing into piles. Support reinforcing from above. Vibrate the upper 10' of the grout.

No.	Revisions	By	Date

CITY OF WICHITA, KANSAS
 MICHAEL E. LINDEBAK, P.E.-CITY ENGINEER
 DOUGLAS AVENUE BRIDGE
 OVER ARKANSAS RIVER
 SOUTHEAST RETAINING WALL
 AT ABUTMENT #2
 CITY OF WICHITA PROJECT NO. 472-82721
 PROFESSIONAL ENGINEERING CONSULTANTS, P.A.
 WICHITA, KANSAS

Designed by	RWA	Checked by	RAS
Drawn by	WLL	Date	Sept., 1997
		Job No.	95088-4

i:/1995/95088/douglas/retwall2.dgn
 Drawn by: ras/wll
 Plotted by: wll 11-10-97