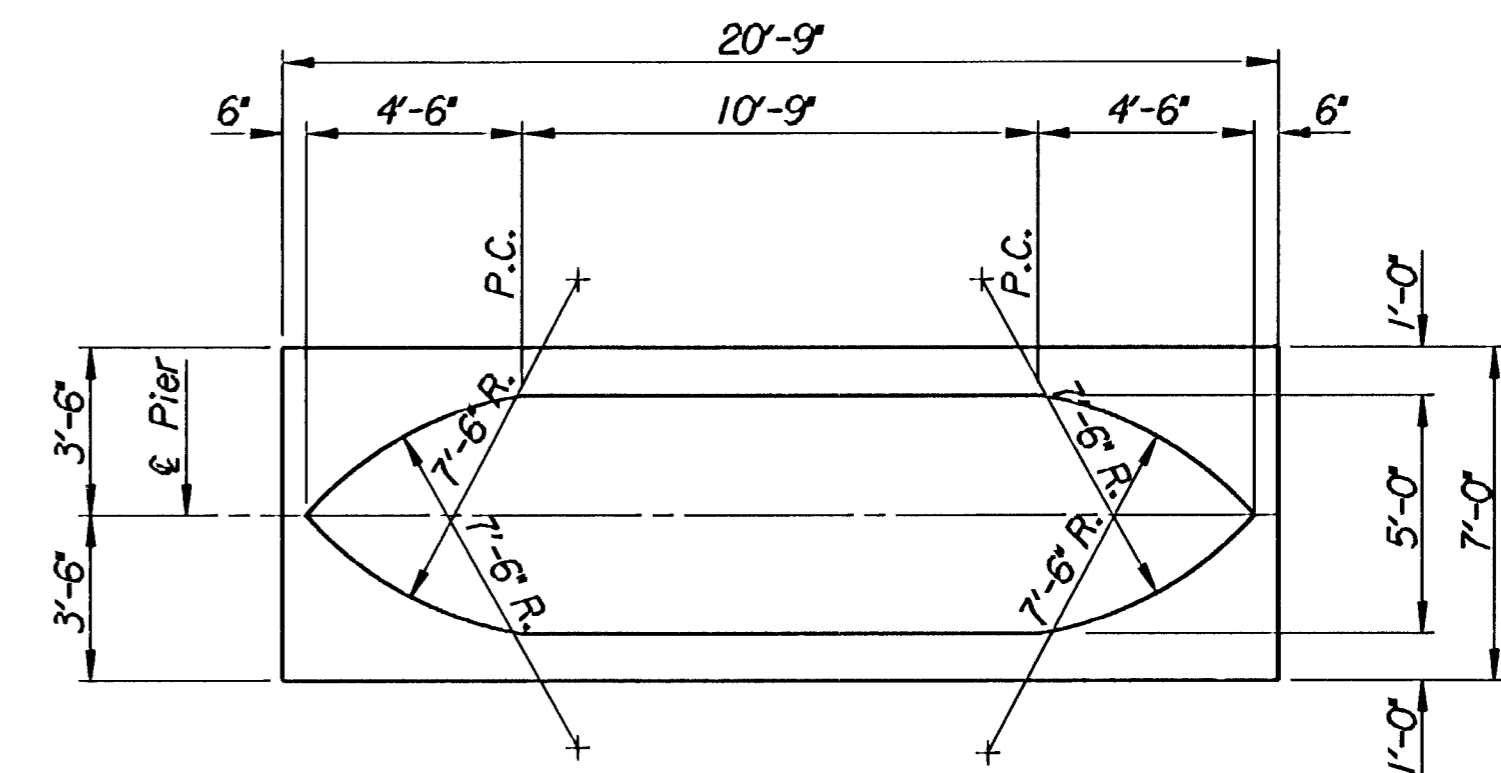


SECTION A-A



COLUMN DIMENSIONS

I:/1995/95088/douglas/PIER1-4
 drawn by : will
 plotted by : RAS 8-25-97

No.	Revisions	By	Date
CITY OF WICHITA, KANSAS MICHAEL E. LINDEBAK, P.E.-CITY ENGINEER DOUGLAS AVENUE BRIDGE OVER ARKANSAS RIVER PIER 1 AND 4 - PLAN & SECTION CITY OF WICHITA PROJECT NO. 472-82721 PROFESSIONAL ENGINEERING CONSULTANTS, P.A. ENGINEERS WICHITA, KANSAS			
Designed by	P.D.F.	Checked by	R.A.S.
Drawn by	W.L.L.	Date	Sept. 1997 Job No. 95088-4